



Plenum 4.3-10 Male to 7/16 DIN Male Low PIM Cable  
60 Inch Length Using SPP-250-LLPL Coax , LF Solder

RF Cable Assemblies Technical Data Sheet

PE3C4135-60

### Configuration

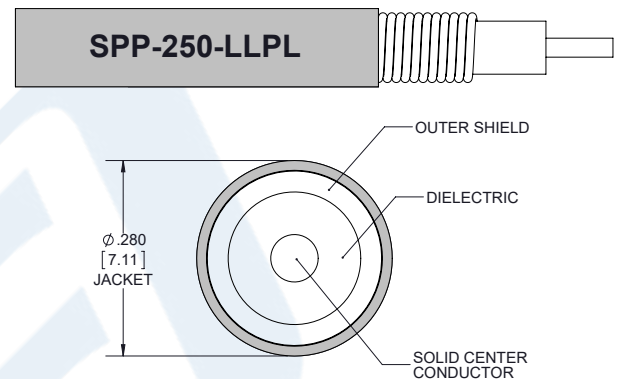
- Connector 1: 4.3-10 Male
- Connector 2: 7/16 DIN Male
- Cable Type: SPP-250-LLPL

### Features

- Max Frequency 6 GHz
- Low PIM: -160 dBc Max
- Shielding Effectivity > 100 dB
- 76% Phase Velocity
- FEP Jacket
- PIM < -160 dBc
- 100% Tested with PIM Test Results Marked on Cable
- UL910 Plenum Rated Cable
- Lightweight and Extremely Flexible
- Low Loss with Excellent VSWR
- IP67 (when mated)

### Applications

- General Purpose
- Laboratory Use
- Low PIM Applications
- Distributed Antenna Systems (DAS)
- Plenum Installations
- Multi-Carrier Communication Systems
- PIM Testing



### Description

Pasternack's low PIM plenum cable assemblies using SPP-250-LLPL coax and 4.3-10 male to 7/16 DIN male connections are part of our full line of RF components available for same-day shipping. These 4.3-10 male to 7/16 DIN male plenum coax cable assemblies deliver low PIM performance to support Distributed Antenna Systems (DAS) and other complex, multi-carrier communication systems. The SPP-250-LLPL coax cable has been certified in accordance with UL910 for plenum coaxial cable installations. Each 4.3-10 male to 7/16 DIN male cable assembly is 100% tested for Passive Intermodulation (PIM) and the tested value is marked directly on the cable.

Our 4.3-10 male to 7/16 DIN male cable datasheet specifications and drawing with dimensions are shown below in this PDF. Whether the need is to provide a low PIM jumper connection, low PIM test cable or simply create a custom cable assembly configuration, Pasternack has the right cable assemblies for the job.

Click the following link (or enter part number in "SEARCH" on website) to obtain additional part information including price, inventory and certifications: [Plenum 4.3-10 Male to 7/16 DIN Male Low PIM Cable 60 Inch Length Using SPP-250-LLPL Coax , LF Solder PE3C4135-60](#)



Plenum 4.3-10 Male to 7/16 DIN Male Low PIM Cable  
60 Inch Length Using SPP-250-LLPL Coax , LF Solder

## RF Cable Assemblies Technical Data Sheet

PE3C4135-60

### Electrical Specifications

| Description             | Minimum | Typical      | Maximum | Units        |
|-------------------------|---------|--------------|---------|--------------|
| Frequency Range         | DC      |              | 6       | GHz          |
| VSWR                    |         |              | 1.35:1  |              |
| Velocity of Propagation |         | 76           |         | %            |
| RF Shielding            | 100     |              |         | dB           |
| Passive Intermodulation |         | -165         | -160    | dBc          |
| Capacitance             |         | 27 [88.58]   |         | pF/ft [pF/m] |
| Inductance              |         | 0.067 [0.22] |         | uH/ft [uH/m] |
| Operating Voltage (AC)  |         |              | 750     | Vrms         |

### Specifications by Frequency

| Description           | F1     | F2     | F3     | F4     | F5     | Units |
|-----------------------|--------|--------|--------|--------|--------|-------|
| Frequency             | 0.5    | 1      | 2      | 4      | 6      | GHz   |
| Insertion Loss (Max.) | 0.6    | 0.69   | 0.82   | 1      | 1.15   | dB    |
| VSWR (Max.)           | 1.25:1 | 1.25:1 | 1.25:1 | 1.35:1 | 1.35:1 |       |

#### Electrical Specification Notes:

PIM test results vary between cables

The Insertion Loss data above is based on the performance specifications of the coax used in this assembly. The Insertion Loss includes an estimated insertion loss of 0.4dB of connector loss.

### Mechanical Specifications

#### Cable Assembly

Length\* 60 in [152.4 cm]  
Diameter 0.28 in [7.11 mm]

#### Cable

Cable Type SPP-250-LLPL  
Impedance 50 Ohms  
Inner Conductor Type Solid  
Inner Conductor Material and Plating Copper, Bare  
Dielectric Type PTFE  
Number of Shields 1  
Shield Layer 1 Helically Corrugated Copper Tube  
Outer Conductor Diameter 0.25 in [6.35 mm]

Click the following link (or enter part number in "SEARCH" on website) to obtain additional part information including price, inventory and certifications: [Plenum 4.3-10 Male to 7/16 DIN Male Low PIM Cable 60 Inch Length Using SPP-250-LLPL Coax , LF Solder PE3C4135-60](#)



Plenum 4.3-10 Male to 7/16 DIN Male Low PIM Cable  
 60 Inch Length Using SPP-250-LLPL Coax , LF Solder

## RF Cable Assemblies Technical Data Sheet

PE3C4135-60

|                              |                   |
|------------------------------|-------------------|
| Jacket Material              | FEP               |
| Jacket Diameter              | 0.28 in [7.11 mm] |
| One Time Minimum Bend Radius | 1.5 in [38.1 mm]  |

### Connectors

| Description                  | Connector 1      | Connector 2      |
|------------------------------|------------------|------------------|
| Type                         | 4.3-10 Male      | 7/16 DIN Male    |
| Impedance                    | 50 Ohms          | 50 Ohms          |
| Contact Material and Plating | Brass, Silver    | Brass, Silver    |
| Dielectric Type              | PTFE             | PTFE             |
| Body Material and Plating    | Brass, Tri-Metal | Brass, Tri-Metal |
| Seal Gasket Material         | Silicone Rubber  | Silicone Rubber  |

### Mechanical Specification Notes:

\*All cable assemblies have a length tolerance of 1.5% or  $\pm 3/8$ ", whichever is greater.

### Environmental Specifications

#### Temperature

|                 |                   |
|-----------------|-------------------|
| Operating Range | -55 to +200 deg C |
| Storage Range   | -55 to +200 deg C |
| Plenum Rating   | UL910             |

### Compliance Certifications (see [product page](#) for current document)

### Plotted and Other Data

#### Notes:

- Values at 25°C, sea level.

Click the following link (or enter part number in "SEARCH" on website) to obtain additional part information including price, inventory and certifications: [Plenum 4.3-10 Male to 7/16 DIN Male Low PIM Cable 60 Inch Length Using SPP-250-LLPL Coax , LF Solder PE3C4135-60](#)



Plenum 4.3-10 Male to 7/16 DIN Male Low PIM Cable  
60 Inch Length Using SPP-250-LLPL Coax , LF Solder

RF Cable Assemblies Technical Data Sheet

PE3C4135-60

Typical Performance Data



Click the following link (or enter part number in "SEARCH" on website) to obtain additional part information including price, inventory and certifications: [Plenum 4.3-10 Male to 7/16 DIN Male Low PIM Cable 60 Inch Length Using SPP-250-LLPL Coax , LF Solder PE3C4135-60](#)



Plenum 4.3-10 Male to 7/16 DIN Male Low PIM Cable  
60 Inch Length Using SPP-250-LLPL Coax , LF Solder

RF Cable Assemblies Technical Data Sheet

PE3C4135-60

**How to Order**

Part Number Configuration:

**PE3C4135**

- **xx**

**uu**

Unit of Measure:  
cm = Centimeters  
<blank> = Inches  
Length  
Base Number

Example: PE3C4135-12 = 12 inches long cable  
PE3C4135-100cm = 100 cm long cable

Plenum 4.3-10 Male to 7/16 DIN Male Low PIM Cable 60 Inch Length Using SPP-250-LLPL Coax , LF Solder from Pasternack Enterprises has same day shipment for domestic and International orders. Our RF, microwave and millimeter wave products maintain a 99.4% availability and are part of the broadest selection in the industry.

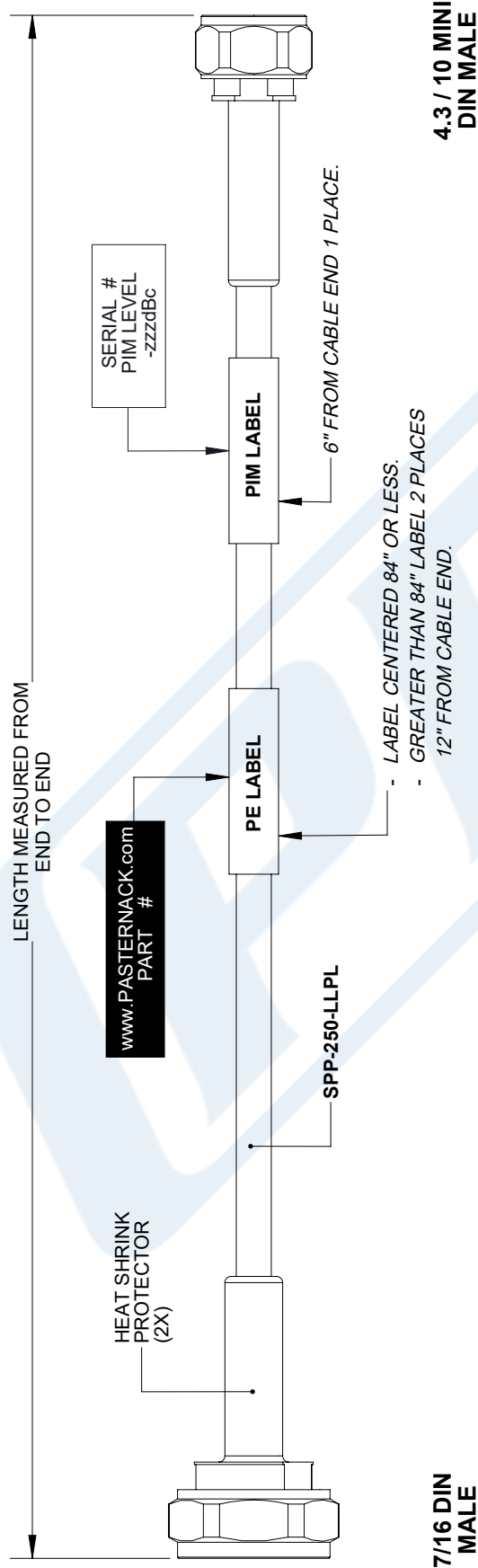
Click the following link (or enter part number in "SEARCH" on website) to obtain additional part information including price, inventory and certifications: [Plenum 4.3-10 Male to 7/16 DIN Male Low PIM Cable 60 Inch Length Using SPP-250-LLPL Coax , LF Solder PE3C4135-60](#)

URL: <https://www.pasternack.com/4.3-10-male-7-16-din-male-spp250llpl-cable-assembly-pe3c4135-60-p.aspx>

The information contained in this document is accurate to the best of our knowledge and representative of the part described herein. It may be necessary to make modifications to the part and/or the documentation of the part, in order to implement improvements. Pasternack reserves the right to make such changes as required. Unless otherwise stated, all specifications are nominal. Pasternack does not make any representation or warranty regarding the suitability of the part described herein for any particular purpose, and Pasternack does not assume any liability arising out of the use of any part or documentation.

# PE3C4135-60 CAD Drawing

Plenum 4.3-10 Male to 7/16 DIN Male Low PIM Cable 60 Inch Length Using SPP-250-LLPL Coax , LF Solder



| STANDARD TOLERANCES |        |
|---------------------|--------|
| .X                  | ±0.2   |
| .XX                 | ±0.01  |
| .XXX                | ±0.005 |

\*STANDARD TOLERANCES APPLY ONLY TO DIMENSIONS IN INCHES

NOTES:  
 1. UNLESS OTHERWISE SPECIFIED ALL DIMENSIONS ARE NOMINAL.  
 2. ALL SPECIFICATIONS ARE SUBJECT TO CHANGE WITHOUT NOTICE AT ANY TIME.  
 3. DIMENSIONS ARE IN INCHES [mm].

|           |          |
|-----------|----------|
| DWG TITLE | PE3C4135 |
| CAGE CODE | 53919    |
| CAD FILE  | 12/05/18 |
| SCALE     | N/A      |
| SIZE      | A        |
|           | 7361     |

**PE PASTERNAK**  
 THE ENGINEER'S RF SOURCE  
 Pasternack Enterprises, Inc.  
 P.O. Box 16759 | Irvine | CA | 92623  
**Phone:** (949) 261-1920 | **Fax:** (949) 261-7451  
**Website:** www.pasternack.com | **E-Mail:** sales@pasternack.com