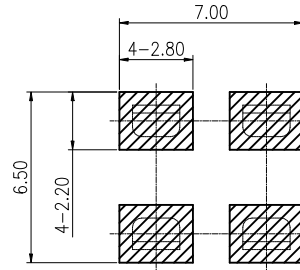
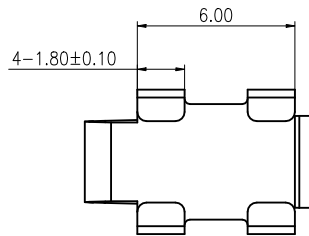
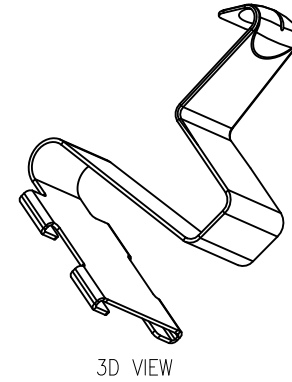
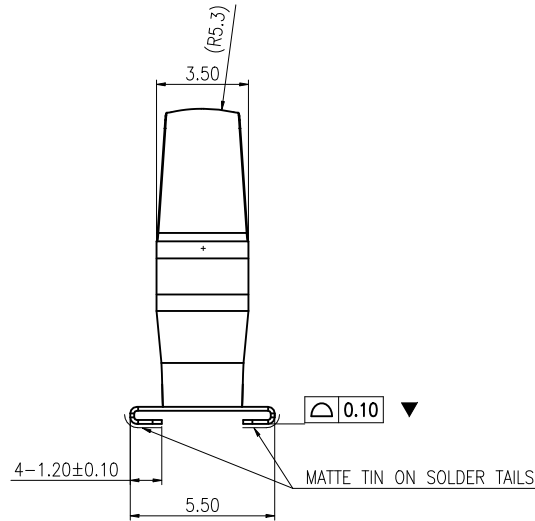
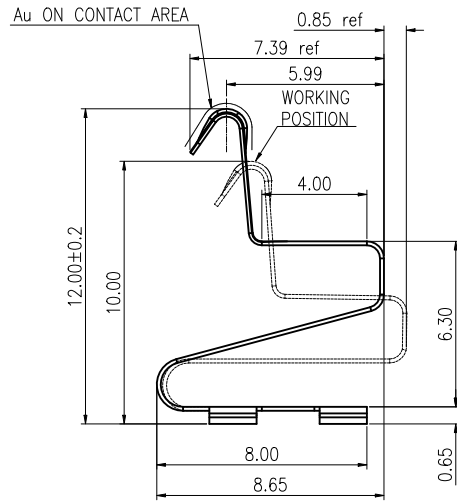


REV.	ECR/ECN No.	DESCRIPTION	DRAWN/DATE	CHECKED/DATE	APPROVED/DATE
A	ECN20200071	NEW RELEASE	Staven 2020-09-01	Staven 2020-09-01	Biao 2020-09-01
B	ECN2022112	UPDATE CPK SYMBOLS	Abner 2022-07-20	Staven 2022-07-20	Sam 2022-07-20

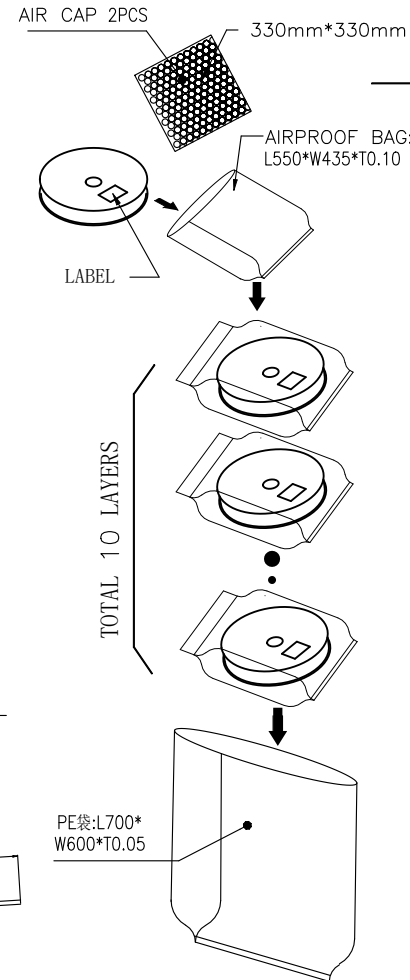
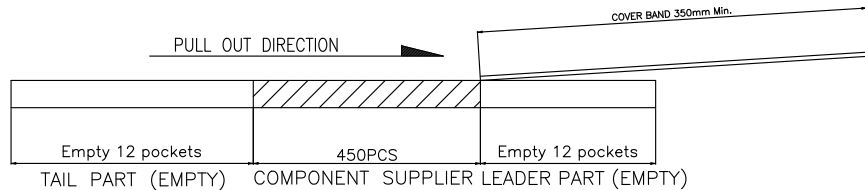
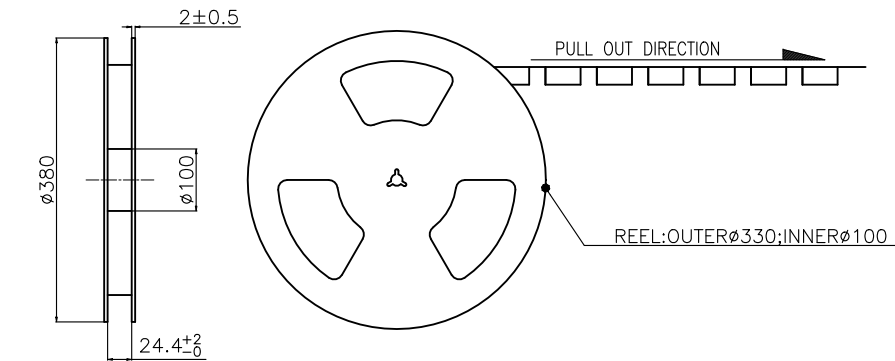
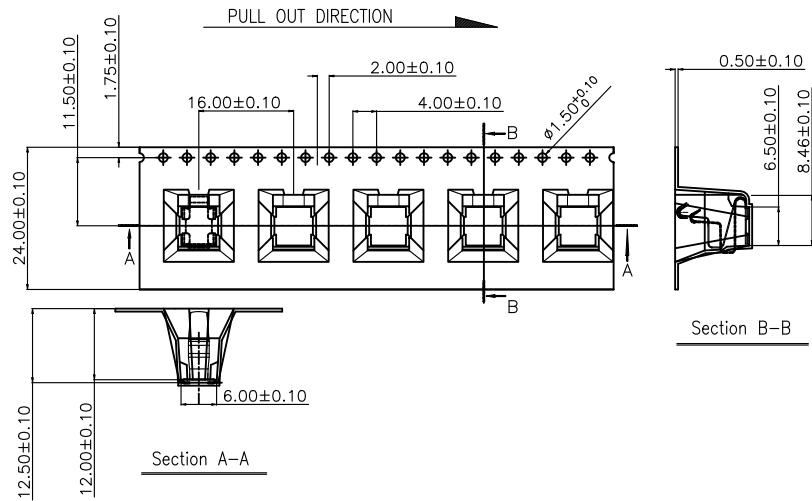


PCB LAYOUT

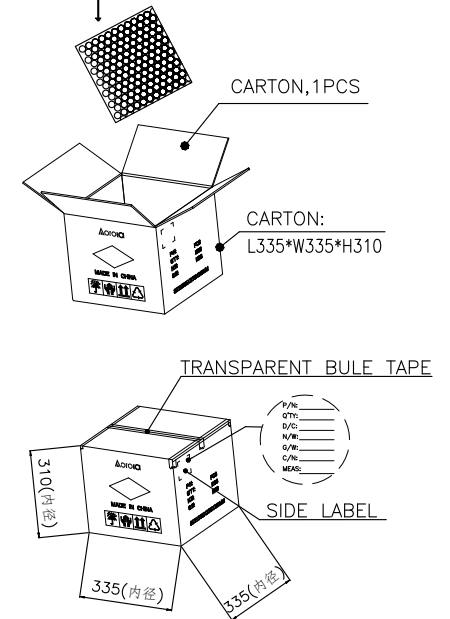
- NOTES:
- 1、 MATERIAL: SUS 304-H T=0.15mm;
 - 2、 BURR: 0.03mm MAX.
 - 3、 PLATING: Au 2u" SURFACE PLATING OVER CONTACT AREAS,
Tin 100-200u" SURFACE PLATING OVER SOLDER AREAS,
Ni 40-120u" UNDER PLATING OVER ALL.
 - 4、 ALL MATERIAL BE COMPLY WITH RoHS. AND SONY SS-00259;
 - 5、 "▼" MARKED IS CPK & X-R.

UNLESS OTHERWISE SPECIFIED TOLERANCES				ANGLE OF PROJECTION		Amphenol AORORA	
X.	±0.38	X. *	± 3'			Amphenol Aorora Technology (Huizhou) Co.,Ltd	
X.X	±0.30	X.X *	± 2'				
X.XX	±0.25	X.XX *	± 1'	DOC TYP Customer Drw		TITLE:	
X.XXX	±0.15	X.XXX *	± 1'	DRAWN	DATE	Abner	H12mm SPRING
LINEAR DIMS		ANGLES DIMS		DESIGN	DATE	Abner	
DWG NO.: A-S0599				CHECKED	DATE	Staven	
MATERIAL SEE NOTES				APPROVED	DATE	Sam	
FINISHED SEE NOTES				SCALE		1:1	UNIT : mm
				PART NUMBER:		Z01Y-4G7L1-11000-E000	REV. B
				SHEET		1 OF 1	

REV.	ECR/ECN No.	DESCRIPTION	DRAWN/DATE	CHECKED/DATE	APPROVED/DATE
A	ECN20200071	NEW RELEASE	Staven 2020-09-01	Staven 2020-09-01	Biao 2020-09-01



- NOTES:
- MATERIAL:
 - CARRY TAPE:HIPS,T=0.50mm, COLOR:TRANSPARENT.
 - REEL:HIPS,BLUE.
 - SHIM:PE,CLEAR.
 - PRIMARY PACKING:450PCS/REEL.
 - SECONDARY PACKING:10 REELS/CARTON ("TOTAL"=10*450/CARTON).
 - PEELING RESISTANCE: 0.1N~0.9N(10~90gf);
PEELING ANGLE: 165°~180°;
PEELING SPEED: 300mm/minutes.



UNLESS OTHERWISE SPECIFIED TOLERANCES				ANGLE OF PROJECTION		Amphenol AORORA	
X.	±0.15	X. °	± 1'			Amphenol Aorora Technology (Huizhou) Co.,Ltd	
X.X	±0.16	X.X °	± 0.5'				
X.XX	±0.05	X.XX °	± 0.5'	DOC TYPE		TITLE:	
X.XXX	±0.03	X.XXX °	± 1'	PACKING DWG.		H12.0mm SPRING--PACKING	
LINEAR DIMS		ANGLES DIMS		DRAWN	DATE	Staven	2020-07-16
DWG NO.: A-H0335				DESIGN	DATE	Staven	2020-07-16
MATERIAL		SEE NOTES		CHECKED	DATE	Biao	2020-07-16
FINISHED		SEE NOTES		APPROVED	DATE	Biao	2020-07-16
SIZE	PART NUMBER:		REV.				
A4	Z01Y-4G7L1-11000-E000		A				
SCALE	1:1	UNIT : mm	SHEET 1 OF 1				