



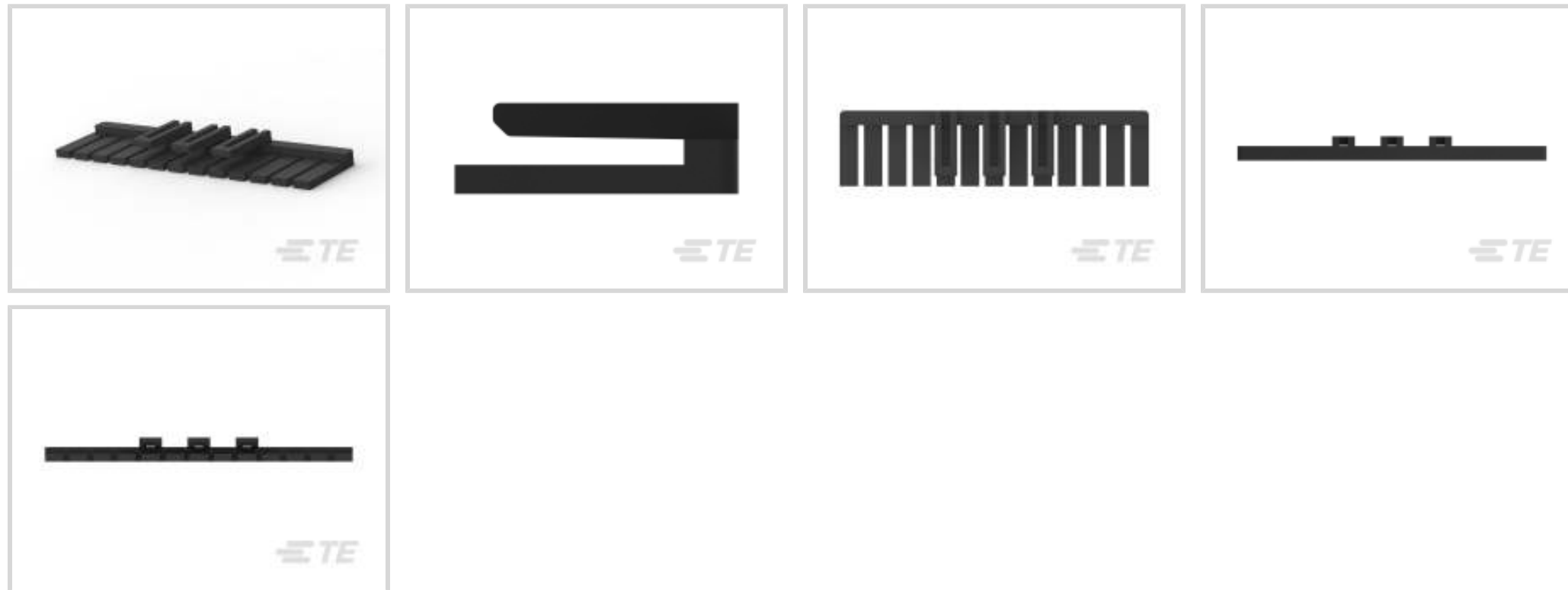
Economy Power 2.5

TE Internal #: 1-1969443-3

PCB Latches, Locks & Retainers, TPA (Terminal Position Assurance), 13 Position, .098 in [2.5 mm] Centerline, 1 Row, Economy Power 2.5

[View on TE.com >](#)

Connectors > PCB Connectors > PCB Connector Accessories > PCB Connector Hardware > PCB Latches, Locks & Retainers



Connector & Contact Retention Accessory Type: **TPA (Terminal Position Assurance)**

Number of Positions: **13**

Centerline (Pitch): **2.5 mm [.098 in]**

Number of Rows: **1**

Operating Temperature Range: **-55 – 105 °C [-67 – 221 °F]**

Features

Product Type Features

Connector & Contact Retention Accessory Type	TPA (Terminal Position Assurance)
--	-----------------------------------

Configuration Features

Number of Positions	13
Number of Rows	1

Body Features

Primary Product Material	Nylon GF
Primary Product Color	Black

Housing Features

Centerline (Pitch)	2.5 mm[.098 in]
--------------------	-----------------

Dimensions

Product Length	31.9 mm[1.255 in]
Product Height	2.51 mm[.099 in]

Usage Conditions

Operating Temperature Range	-55 – 105 °C[-67 – 221 °F]
-----------------------------	----------------------------



Industry Standards

Glow Wire Rating	Standard Part - Not Glow Wire
------------------	-------------------------------

Packaging Features

Packaging Quantity	600
Packaging Method	Bag

Product Compliance

[For compliance documentation, visit the product page on TE.com>](#)

EU RoHS Directive 2011/65/EU	Compliant
EU ELV Directive 2000/53/EC	Compliant
China RoHS 2 Directive MIIT Order No 32, 2016	No Restricted Materials Above Threshold
EU REACH Regulation (EC) No. 1907/2006	Current ECHA Candidate List: JUNE 2023 (235) Candidate List Declared Against: JAN 2023 (233) Does not contain REACH SVHC
Halogen Content	Not Low Halogen - contains Br or Cl > 900 ppm.
Solder Process Capability	Not applicable for solder process capability

Product Compliance Disclaimer

This information is provided based on reasonable inquiry of our suppliers and represents our current actual knowledge based on the information they provided. This information is subject to change. The part numbers that TE has identified as EU RoHS compliant have a maximum concentration of 0.1% by weight in homogenous materials for lead, hexavalent chromium, mercury, PBB, PBDE, DBP, BBP, DEHP, DIBP, and 0.01% for cadmium, or qualify for an exemption to these limits as defined in the Annexes of Directive 2011/65/EU (RoHS2). Finished electrical and electronic equipment products will be CE marked as required by Directive 2011/65/EU. Components may not be CE marked. Additionally, the part numbers that TE has identified as EU ELV compliant have a maximum concentration of 0.1% by weight in homogenous materials for lead, hexavalent chromium, and mercury, and 0.01% for cadmium, or qualify for an exemption to these limits as defined in the Annexes of Directive 2000/53/EC (ELV). Regarding the REACH Regulation, the information TE provides on SVHC in articles for this part number is based on the latest European Chemicals Agency (ECHA) 'Guidance on requirements for substances in articles' posted at this URL: <https://echa.europa.eu/guidance-documents/guidance-on-reach>

Compatible Parts




TE Part # 1744423-1
EP 2.5 RCPT CONTACT, 24-20 AWG



TE Part # 2110989-1
EP 2.5 RCPT CONTACT, 26-22 AWG



TE Part # 1-1744417-3
13 POS EP 2.5 HSG, GLOW WIRE



TE Part # 1-1969442-3
EP 2.5 TPA Housing, 13 Pos



TE Part # 1-1969825-2
EP 2.5 TPA RETAINER, 12 POS

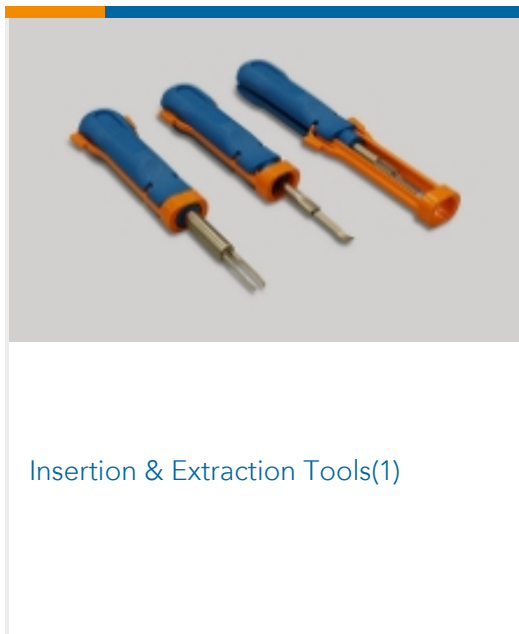


TE Part # 1-1969825-3
EP 2.5 TPA RETAINER, 13 POS



TE Part # 1969825-7
EP 2.5 TPA RETAINER, 7 POS

Also in the Series | Economy Power 2.5



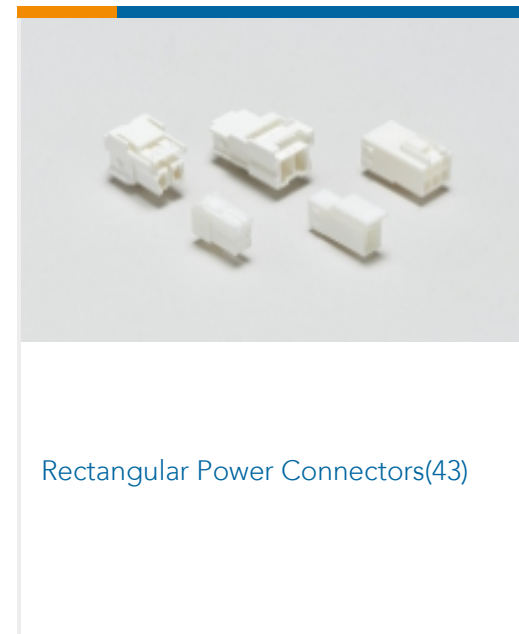
Insertion & Extraction Tools(1)



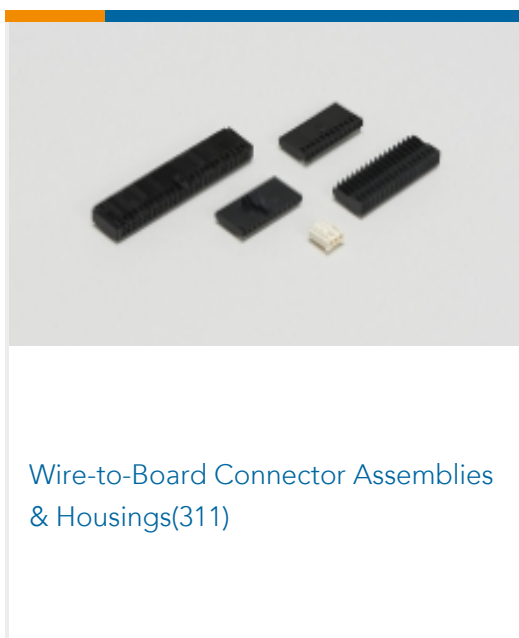
PCB Headers & Receptacles(494)



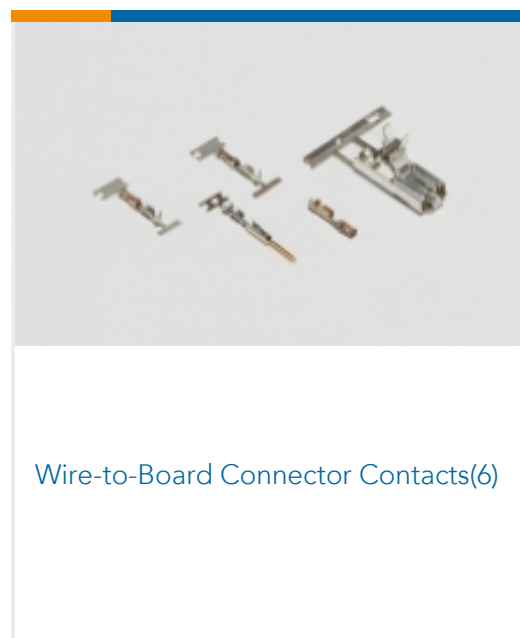
PCB Latches, Locks & Retainers(49)



Rectangular Power Connectors(43)



Wire-to-Board Connector Assemblies & Housings(311)



Wire-to-Board Connector Contacts(6)

Customers Also Bought



TE Part #1971777-5
PTL TPA HIGH TEMP 1 x 5 BLACK



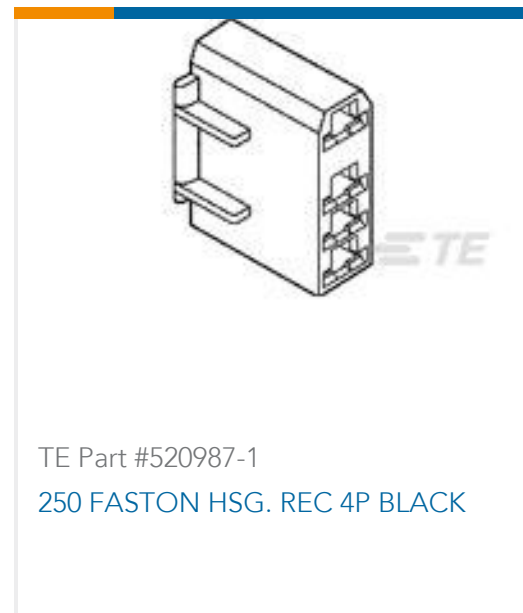
TE Part #521597-2
ULTRA-POD 187 ASY REC 18-14 TPBR



TE Part #1969613-4
4P PM PLUG VAL-U-LOK V0



TE Part #1-1969443-0
EP 2.5 TPA Retainer, 10 Pos



Documents

CAD Files

[3D PDF](#)

[3D](#)

[Customer View Model](#)

[ENG_CVM_CVM_1-1969443-3_B.2d_dxf.zip](#)

English

[Customer View Model](#)

[ENG_CVM_CVM_1-1969443-3_B.3d_igs.zip](#)

English

[Customer View Model](#)

[ENG_CVM_CVM_1-1969443-3_B.3d_stp.zip](#)

English

By downloading the CAD file I accept and agree to the [Terms and Conditions](#) of use.

Datasheets & Catalog Pages

[7-1773461-6_EP2.5_Connector_Series](#)

English

Product Specifications

[Application Specification](#)

English

Product Environmental Compliance

[TE Material Declaration](#)

English

Instruction Sheets

[Instruction Sheet \(U.S.\)](#)

1-1969443-3

PCB Latches, Locks & Retainers, TPA (Terminal Position Assurance), 13 Position, .098 in [2.5 mm] Centerline, 1 Row, Economy Power 2.5



English