

THIS DRAWING IS UNPUBLISHED.

RELEASED FOR PUBLICATION

© COPYRIGHT - TE Connectivity Ltd.

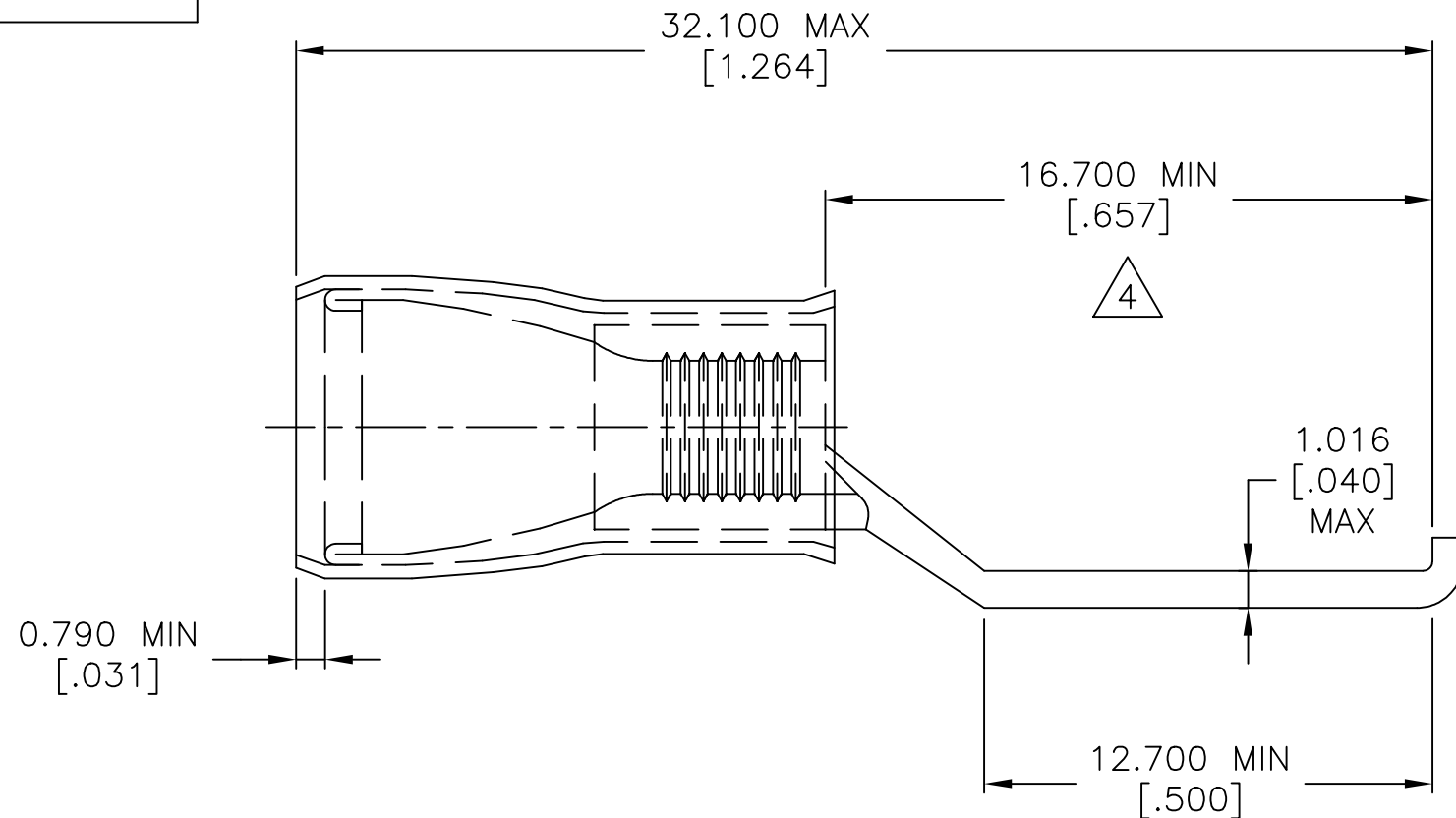
ALL RIGHTS RESERVED.

REVISIONS

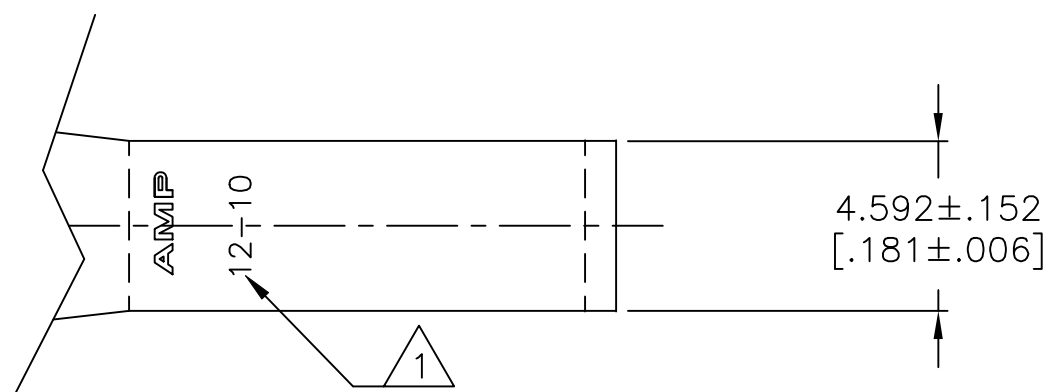
P	LTR	DESCRIPTION	DATE	DWN	APVD
	D2	REV PER ECR 08-013956	04JUN08	JR	TM
	D3	REVISED PER ECO-18-002107	13FEB2018	RS	DR

AMP
WIRE RANGE

12-10 AWG
SOLID OR STRANDED



- 1 STAMP AMP 12-10, LOCATE APPROX AS SHOWN.
- 2 BODY - COPPER PER ASTM B-152 SLEEVE - COPPER PER ASTM B-152 INSULATION - NYLON
- 3 BODY - TIN PLATE PER ASTM B-545 SLEEVE - TIN PLATE PER ASTM B-545 INSULATION - COLOR, BLACK
- 4 APPLIES FROM EDGE OF METAL WIRE BARREL TO FLANGE.
- 5 WIRE INSULATION $\phi 3.800 - \phi 6.400 [\phi .149 - \phi .252]$
- 6 NOTE DELETED
- 7 NOTE DELETED



500	LOOSE PC	151471
QTY	DESCRIPTION	PART NO

AMP INCORPORATED
CUSTOMER SERVICE SYSTEMS

MAX RECOMMENDED OPERATING TEMPERATURE:

105°C [221°F]

VOLTAGE RATING:

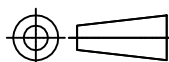
300V MAX

CIRCULAR MIL AREA:

2.62-6.64mm² [5180-13100]
SOLID OR STRANDED

THIS DRAWING IS A CONTROLLED DOCUMENT.

DIMENSIONS:
mm [INCHES]



TOLERANCES UNLESS OTHERWISE SPECIFIED:

- 0 PLC ± -
- 1 PLC ± -
- 2 PLC ± 0.127 [0.005]
- 3 PLC ± -
- 4 PLC ± -
- ANGLES ± -
- FINISH

MATERIAL



FINISH



DWN 23FEB2006

JR RUTH

CHK 23FEB06

T MICHIELUTTI

APVD 23FEB06

T MICHIELUTTI

PRODUCT SPEC

APPLICATION SPEC

114-2157

WEIGHT

CUSTOMER DRAWING

STE TE Connectivity Ltd.

NAME
TERMINAL, LIPPED BLADE, P.I.D.G.,
WIRE SIZE: 12-10 AWG

SIZE	CAGE CODE	DRAWING NO	RESTRICTED TO
A3	00779	C=151471	-

FOR ADDITIONAL PRODUCT INFORMATION OR COPIES OF DRAWINGS AND TECHNICAL DOCUMENTS

PRODUCT INFORMATION CENTER
1-800-522-6752

FOR APPLICATION TOOLING INFORMATION

TOOLING ASSISTANCE CENTER
1-800-722-1111

FOR ORDER ENTRY

1-800-526-5142

THIS DRAWING IS A CONTROLLED DOCUMENT FOR AMP INCORPORATED. IT IS SUBJECT TO CHANGE AND THE CONTROLLING ENGINEERING ORGANIZATION SHOULD BE CONTACTED FOR THE LATEST REVISION.

SCALE 5:1 SHEET 1 OF 1 REV D3