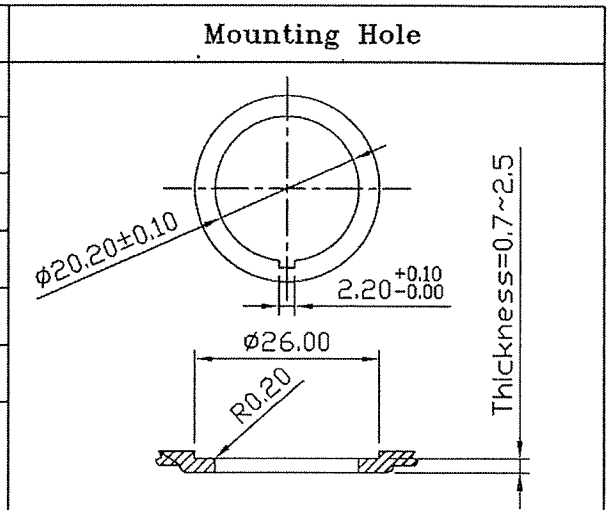


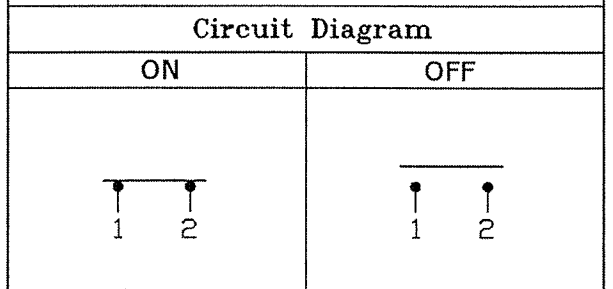
THIS INFORMATION IS CONFIDENTIAL AND PROPRIETARY TO CW INDUSTRIES INCORPORATED AND ITS AFFILIATES. IT MAY NOT BE DISCLOSED TO ANYONE, OTHER THAN CW INDUSTRIES PERSONNEL, WITHOUT WRITTEN AUTHORIZATION FROM CW INDUSTRIES INCORPORATED, SOUTHAMPTON, PENNSYLVANIA USA.

Rating	10A 125V, 6A 250V AC 1/2HP 125 / 250VAC	
	20A 14VDC	
Contact Resistance	50m ohm Max.	
Insulation Resistance	DC 500V 100M ohm Min.	
Dielectric Strength	AC 1500V 1 minute	
Operation Temperature	-25°C ~ 85°C	
Switch Function	2P SPST ON - OFF	

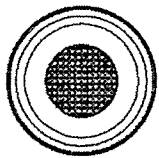


**MATERIAL:**

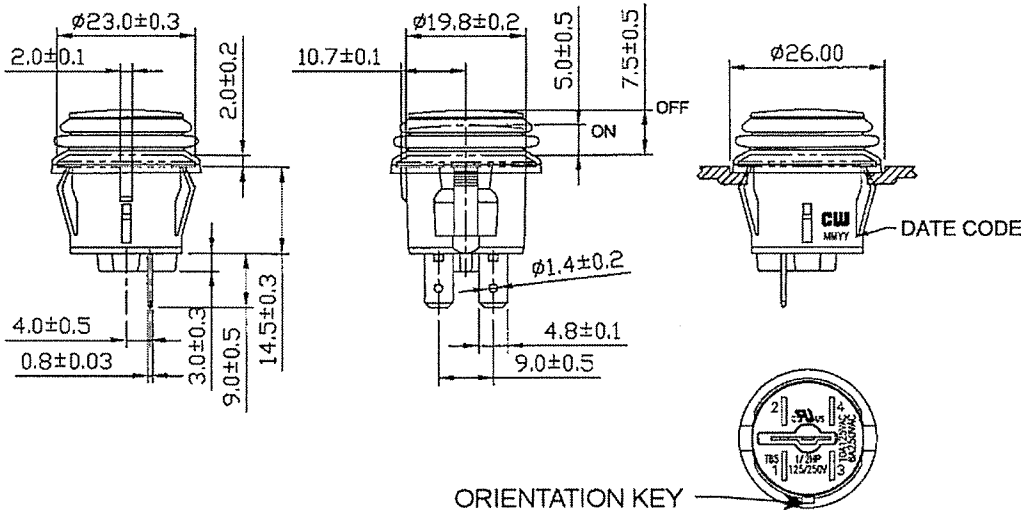
Frame: Black, Nylon 66 (94-V2)  
 Actuator: PC Clear (94-V2), For Color  
 Ref. "X" in Actuator Color Chart  
 and CW P/N.  
 Terminals: Silver plated, Copper alloy  
 Waterproof Rubber: Black, Silicone  
 Printed: None  
 Waterproof: IP65



Full travel: 4.5mm



ACTUATOR COLOR	X
Amber	A
Black	B
Green	G
Red	R
Blue	U
White	W



RoHS Compliant

1 Removed ( ) from ON in Circuit Diagram. 4-02-13

**CW INDUSTRIES**  
 Southampton, Pa. 18966  
 Tel 215.355.7080/www.cwind.com

Date Drawn: 6-27-2012

Rev. 1

Unit: mm

Checked By: *G. Guld*

Title:  
 PUSH BUTTON SWITCH

CW P/N:

GPB527D202BX