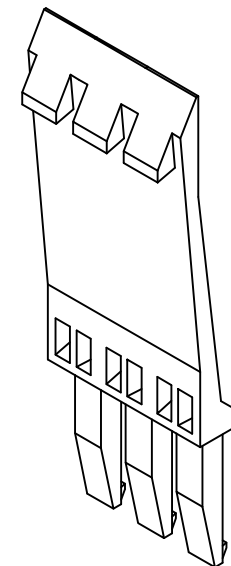
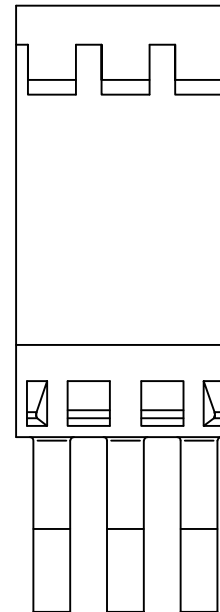
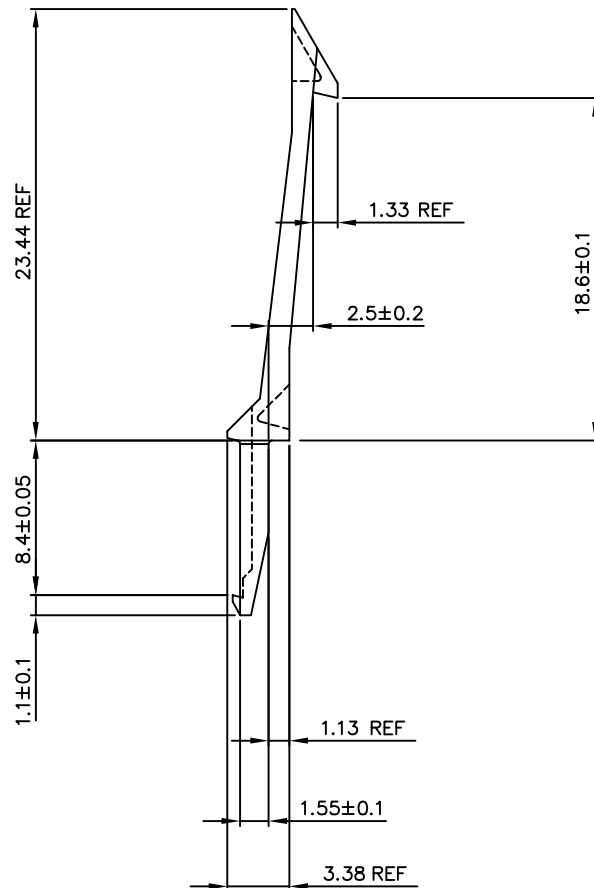
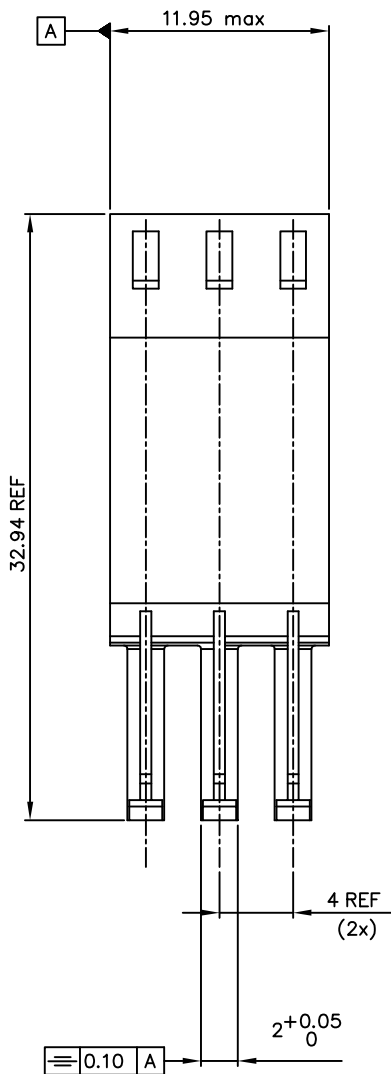
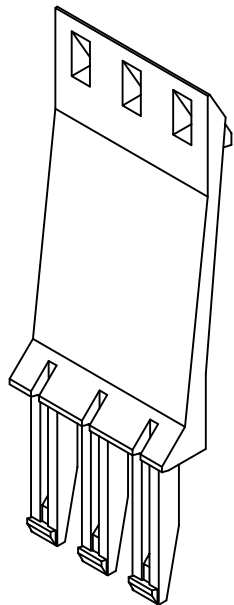


Partnumber:
85992-001LF



- NOTES:
- 1 Material: Glass filled thermoplastic, color black, UL 94 V-0
 2. THIS PRODUCT WITH "LF" SUFFIX MEETS EUROPEAN UNION DIRECTIVES AND OTHER COUNTRY REGULATIONS AS DESCRIBED IN GS -22-008.
 3. THE PRODUCT IS NOT INTENDED TO BE EXPOSED TO A MANUFACTURING SOLDER PROCESS.

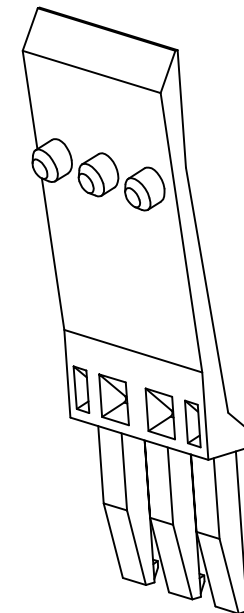
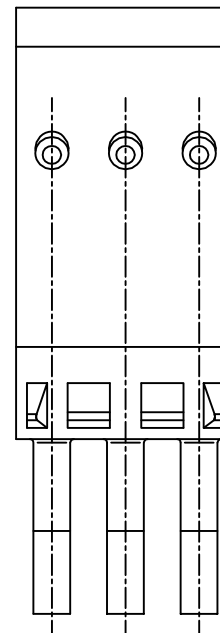
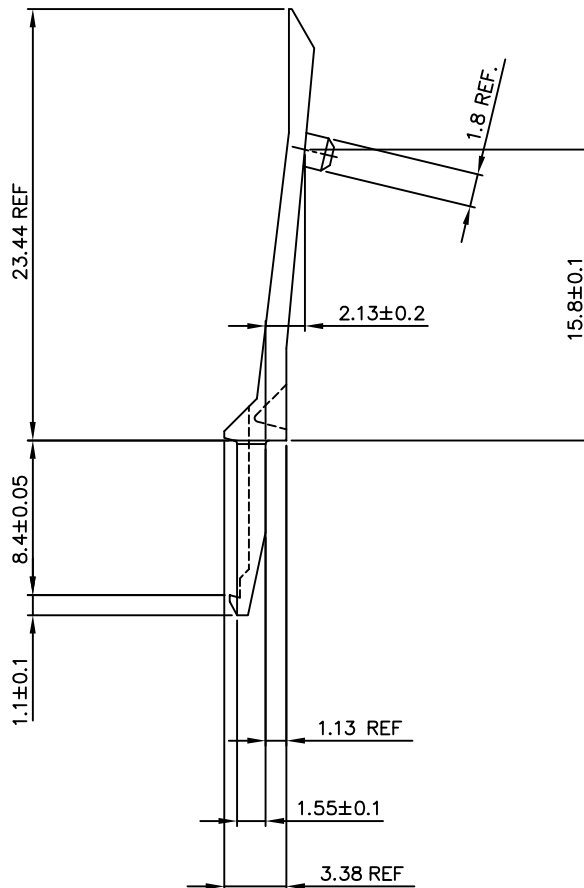
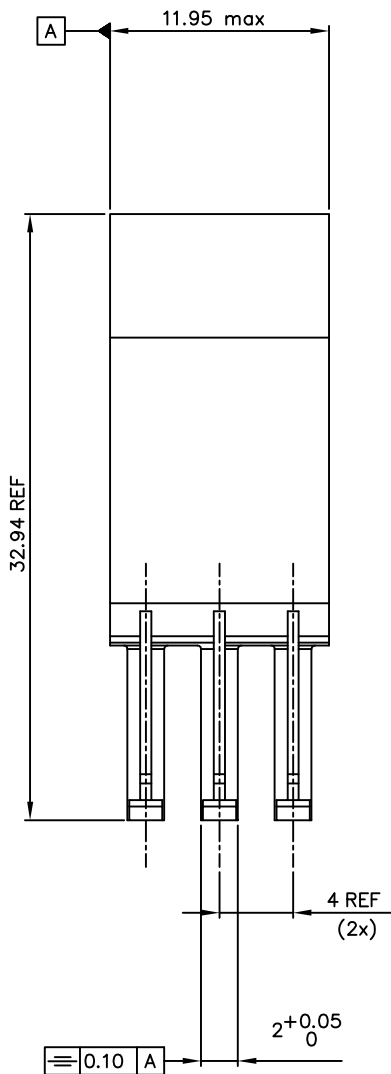
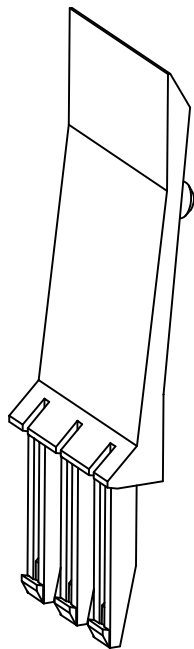
mat'l. code		tolerances unless otherwise specified		CUSTOMER COPY		FCI ELECTRONICS	
See note 1				COPY		www.fciconnect.com	
ltr	ecn no	dr	date	linear	projection	title 12 mm LATCH	
A	H70123	VWO	970221			EMI shielded cable connector	
B	H70802	VWO	971125			product family	Metral(tm)
C	H00525	VB	001221	angles	mm	size	dwg no 85992
D	005-040	CLU	051021	dr	H v Woensei	970221	scale 5:1
				eng	H v Woensei	970221	sheet 1 of 3
				chr	H Cooljmans	970221	
				app	H v Woensei	970221	
sheet	revision	D	D	D			
Indx	sheet	1	2	3			

PDM: Rev.D

STATUS: Released

Printed: May 19, 2011

Partnumber:
85992-002LF



NOTES:

- 1 Material: Glass filled thermoplastic, color black, UL 94 V-0
2. THIS PRODUCT WITH "LF" SUFFIX MEETS EUROPEAN UNION DIRECTIVES AND OTHER COUNTRY REGULATIONS AS DESCRIBED IN GS -22-008.
3. THE PRODUCT IS NOT INTENDED TO BE EXPOSED TO A MANUFACTURING SOLDER PROCESS.

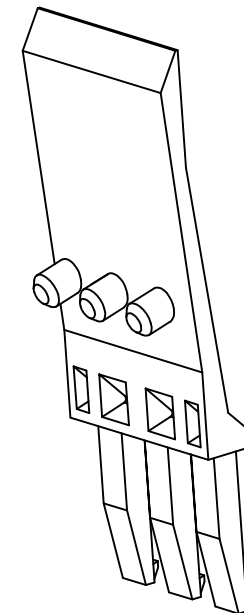
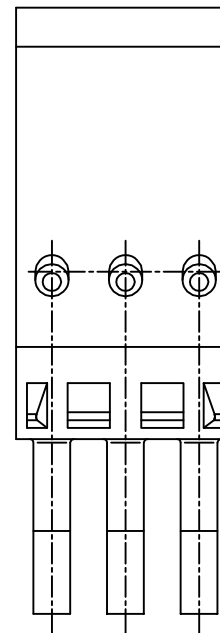
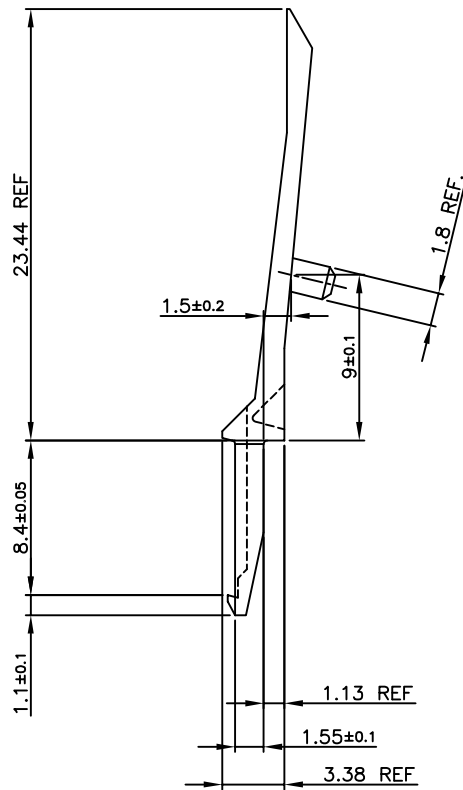
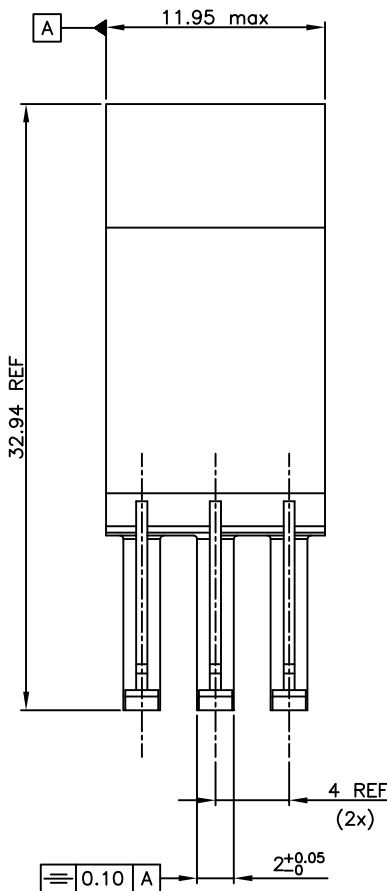
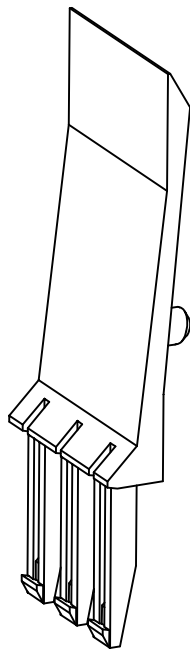
mat'l. code See note 1		tolerances unless otherwise specified		CUSTOMER COPY		ELECTRONICS www.fciconnect.com	
ltr	ecn no	dr	date	linear	projection	title 12 mm LATCH	
d				angles	mm	EMI shielded cable connector	
		dr	H v Woensei	970221		product family	Metral(tm)
		eng	H v Woensei	970221	scale		code
		chr	H v Cooljmans	970221	5:1	size	dwg no
		app	H v Woensei	970221		A2	213
sheet	revision					85992	sheet
1							2 of-

PDM: Rev.D

STATUS: Released

Printed: May 19, 2011

Part number
85992-003LF



NOTES:

- 1 Material: Glass filled thermoplastic, color black, UL 94 V-0
- 2 THIS PRODUCT WITH "LF" SUFFIX MEETS EUROPEAN UNION DIRECTIVES AND OTHER COUNTRY REGULATIONS AS DESCRIBED IN GS -22-008.
- 3 THE PRODUCT IS NOT INTENDED TO BE EXPOSED TO A MANUFACTURING SOLDER PROCESS.

mat'l. code See note 1		tolerances unless otherwise specified		CUSTOMER COPY		ELECTRONICS www.fciconnect.com	
ltr	ecn no	dr	date	linear	projection	title 12 mm LATCH	
d				angles	mm	EMI shielded cable connector	
		dr	VISSCHERS	IB	001221	product family	Metral(tm)
		eng	W v.ALST		001221	code	213
		chr	W v.ALST		001221	size	dwg no
		app	W v.ALST		001221	scale	5:1
sheet	revision					A2	85992
Indx	sheet						3 of -

PDM: Rev.D

STATUS: Released

Printed: May 19, 2011