

TU-12S1N8AWB00 - Device connector front mounting



1605972

<https://www.phoenixcontact.com/pc/products/1605972>

Please be informed that the data shown in this PDF document is generated from our online catalog. Please find the complete data in the user documentation. Our general terms of use for downloads are valid.



M23, Device connector front mounting, series: TU, straight, shielded: yes, Bayonet locking, No. of pos.: 12, Direction of rotation: Standard, contact connection type: Socket, Crimp connection, Axial O-ring, 4x Ø 3.2, Panel thickness min.: 1.5 mm, coding: N, Alternative product in accordance with RoHS II without Exemption 6c (Pb <0.1%) item no.: 1242045

Commercial data

Item number	1605972
Packing unit	40 pc
Minimum order quantity	1 pc
Product key	ABRAHL
GTIN	4046356256285
Weight per piece (including packing)	40.405 g
Weight per piece (excluding packing)	38.2 g
Customs tariff number	85366990
Country of origin	DE

1605972

<https://www.phoenixcontact.com/pc/products/1605972>

Technical data

Product properties

Product type	Circular connector (cable-side)
--------------	---------------------------------

Connector

Insulating body

Note	Order information: Order crimp contacts Ø 1 mm separately
Coding	N
Connection method	Crimp connection
Contact switching type	Socket
Application	Signal
Number of positions	12
Direction of rotation	Standard
Connection profile	12
Contact diameter Power contacts	1 mm
Rated current Power contacts	8 A
Rated voltage	48 V AC
	74 V DC
Rated surge voltage	1.5 kV
Overvoltage category	III
Degree of pollution	3

Housing

Housing material	Metal
Type of locking	Bayonet locking
Pg screw connection	none
Degree of protection (plugged in)	IP67
Thread type	M23

TU-12S1N8AWB00 - Device connector front mounting

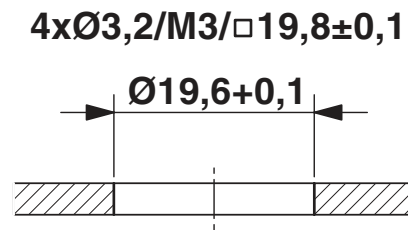


1605972

<https://www.phoenixcontact.com/pc/products/1605972>

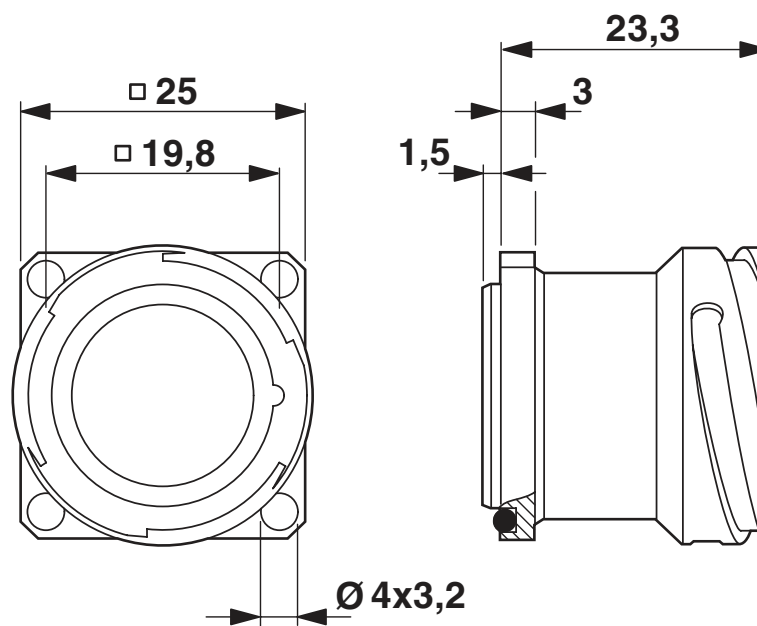
Drawings

Dimensional drawing



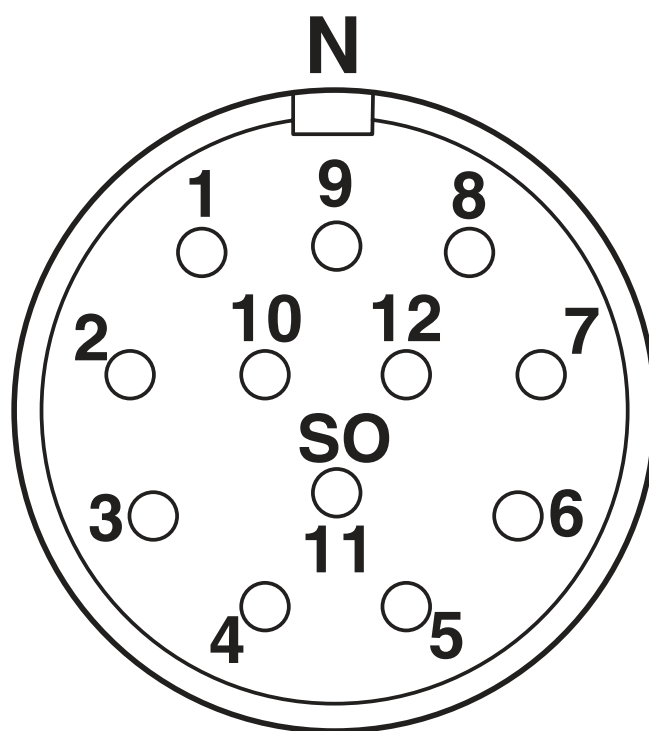
Housing bore holes

Dimensional drawing



Dimensional drawing

Schematic diagram



Connector pin assignment

TU-12S1N8AWB00 - Device connector front mounting



1605972

<https://www.phoenixcontact.com/pc/products/1605972>

Approvals

To download certificates, visit the product detail page: <https://www.phoenixcontact.com/pc/products/1605972>



EAC

Approval ID: B.01687

TU-12S1N8AWB00 - Device connector front mounting



1605972

<https://www.phoenixcontact.com/pc/products/1605972>

Classifications

ECLASS

ECLASS-11.0	27440102
ECLASS-12.0	27440116
ECLASS-13.0	27440116

ETIM

ETIM 8.0	EC002635
----------	----------

UNSPSC

UNSPSC 21.0	39121400
-------------	----------

TU-12S1N8AWB00 - Device connector front mounting



1605972

<https://www.phoenixcontact.com/pc/products/1605972>

Environmental product compliance

REACH SVHC	Lead 7439-92-1
China RoHS	Environmentally Friendly Use Period = 50 years For information on hazardous substances, refer to the manufacturer's declaration available under "Downloads"

Phoenix Contact 2023 © - all rights reserved

<https://www.phoenixcontact.com>

PHOENIX CONTACT GmbH & Co. KG

Flachsmarktstraße 8

D-32825 Blomberg

+49 (0) 5235-3 00

info@phoenixcontact.com