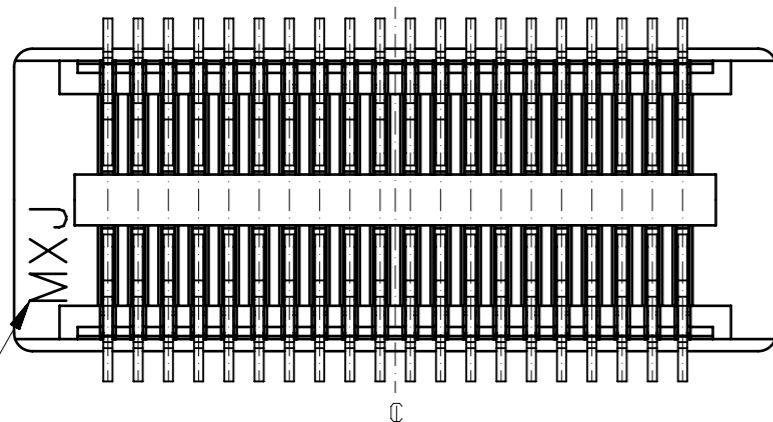


30 極以下品形状
SHAPE OF 30 CIRCUITS OR LESS

注記 NOTES:

- 使用材料 MATERIAL
ハウジング : 液晶ポリマーガラス充填, UL94V-0 (黒)
HOUSING : LIQUID CRYSTAL POLYMER (GLASS FILLED) UL94V-0 (COLOR:BLACK)
ターミナル : リン青銅 (t=0.15)
TERMINAL : PHOSPHOR BRONZE (t=0.15)
- メッキ仕様 PLATING
金メッキ 0.25 マイクロメートル以上 (コンタクト部)
GOLD 0.25 MICROMETER MINIMUM (CONTACT AREA).
金メッキ 0.4 マイクロメートル以下 (テール部)
GOLD 0.4 MICROMETER MAXIMUM (TAIL AREA).
下地メッキ: ニッケルメッキ 1.5 マイクロメートル以上
UNDER PLATING : NICKEL 1.5 MICROMETER MINIMUM.
*コンタクト部とテール部はニッケルメッキによって分断されている金メッキです。
DIVIDE INTO PARTS THE GOLD PLATING OF THE CONTACT AND THE TAIL PART BY THE NICKEL PLATING.

- (全極数 / 2) = 偶数の場合に適用。
APPLY FOR (CIRCUIT/2)=EVEN.
- 嵌合相手 : 55560シリーズ(嵌合高さ = 1.5mm)
MATE WITH : 55560 SERIES.(HEIGHT=1.5mm)
- テール平坦度は、0.1以下
TAIL COPLANARITY TO BE 0.1 MAXIMUM.



トレードマーク
TRADE MARK

8.0	7.0	10.1	54722-0304	30
6.5	5.5	8.6	54722-0244	24
6.0	5.0	8.1	54722-0224	22
5.5	4.5	7.6	54722-0204	20
4.5	3.5	6.6	54722-0164	16
C	B	A	Emboss tape Package ORDER No. オーダー番号	極数 CIRCUIT

CONNECTOR SERIES No. 54722-***3

THIS DRAWING CONTAINS INFORMATION THAT IS PROPRIETARY TO MOLEX ELECTRONIC TECHNOLOGIES, LLC AND SHOULD NOT BE USED WITHOUT WRITTEN PERMISSION

GENERAL TOLERANCES (UNLESS SPECIFIED)		mm	SCALE
0.25 ^{UNDER}	±0.2	8:1	
0.25 ^{OVER} 0.5 ^{UNDER}	±0.2		
0.5 ^{OVER} 1.0 ^{UNDER}	±0.2		
1.0 ^{OVER} 10 ^{UNDER}	±0.2		
10 ^{OVER} 30 ^{UNDER}	±0.25		
30 ^{OVER}	±0.3		
ANGULAR+3°			
DRAFT WHERE APPLICABLE MUST REMAIN WITHIN DIMENSIONS		DRAFT WHERE APPLICABLE MUST REMAIN WITHIN DIMENSIONS	

EC NO: 642297
DRWN: SCV 2020/07/29
CHK'D: HSHIMOMYAMA 2020/11/30
APPR: SHOSHIKAWA 2020/11/30
INITIAL REVISION:
DRWN: T.ITO 2003/08/20
APPR: T.YAMAGUCHI 2003/08/20

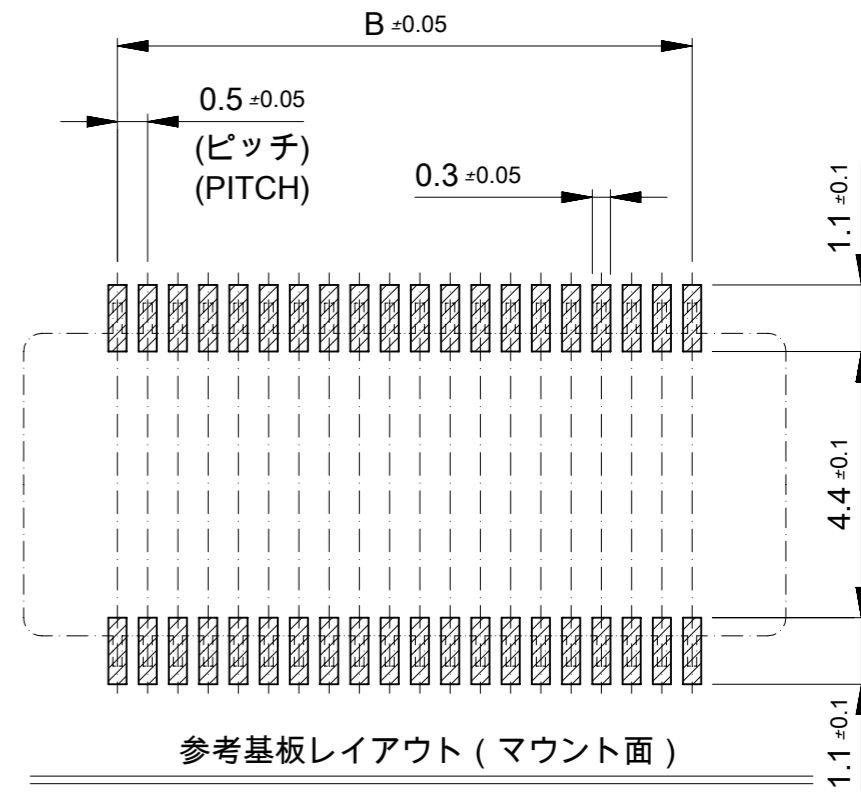
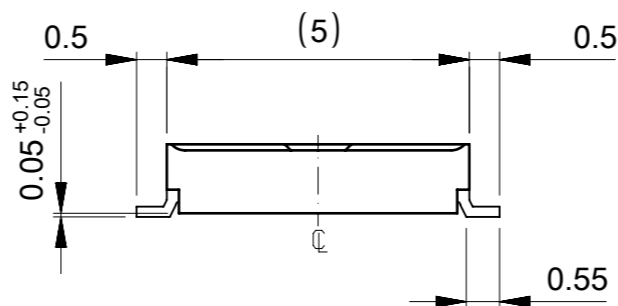
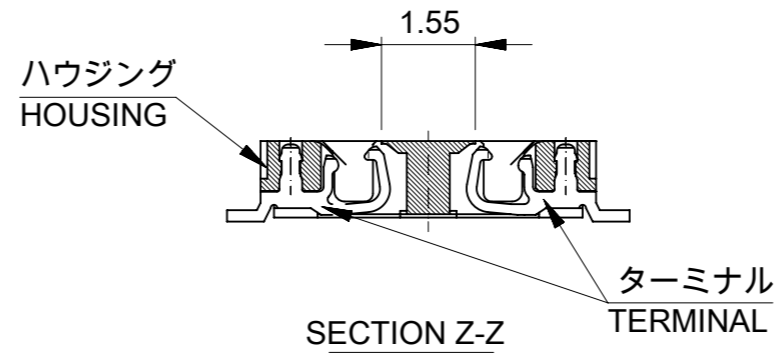
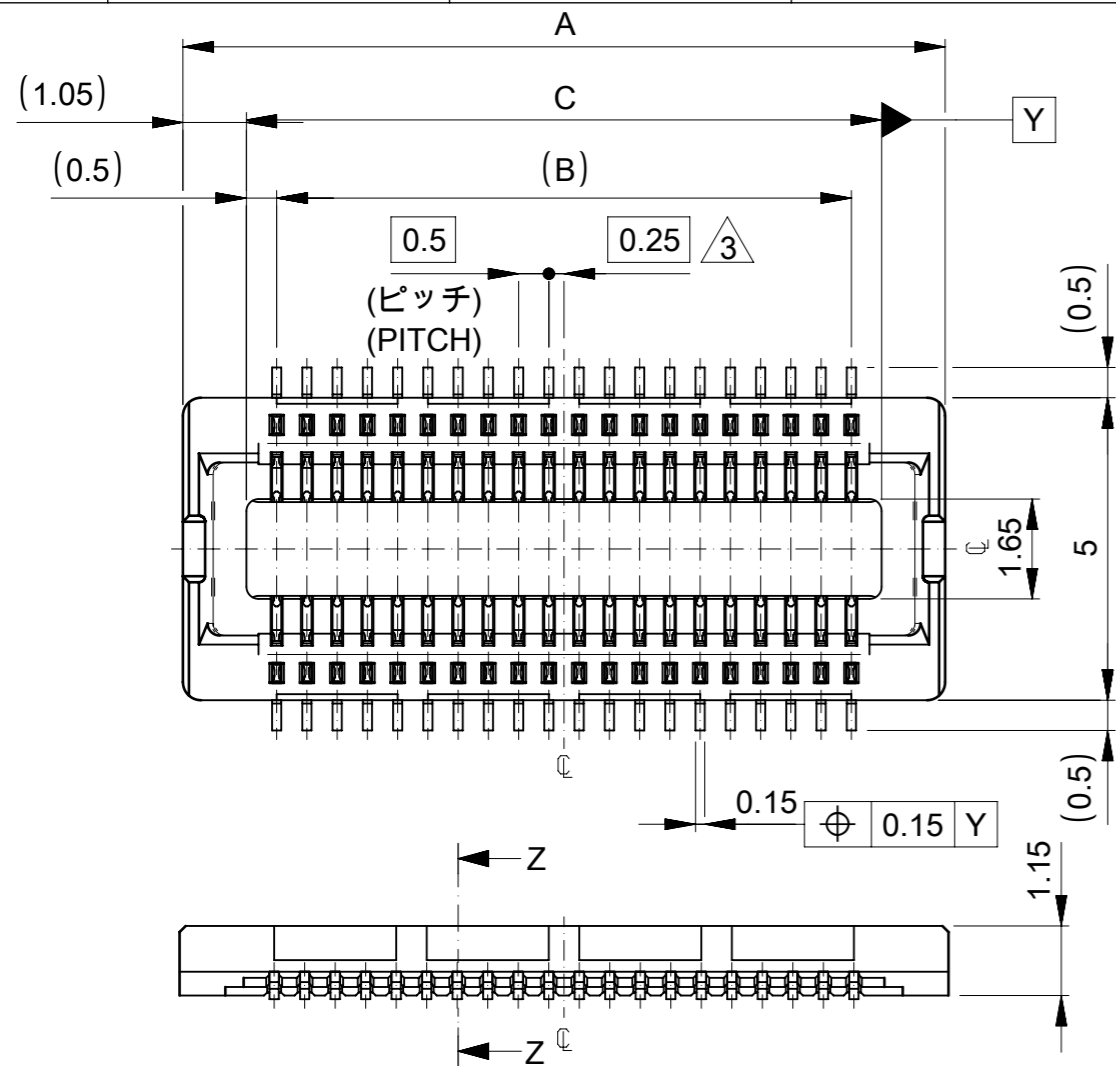
molex

0.5 MM PITCH B-TO-B CONN.
HEIGHT = 1.5 RECEPTACLE

PRODUCT CUSTOMER DRAWING

DOCUMENT NUMBER: SD-54722-011
DOC TYPE: PSD
DOC PART: 001
REVISION: D

SHEET NUMBER: 1 OF 3



参考基板レイアウト (マウント面)
P.C.BOARD PATTERN DIMENSION (REFERENCE)
(MOUNTING AREA)

34 極以上品形状
SHAPE OF 34 CIRCUITS OR MORE

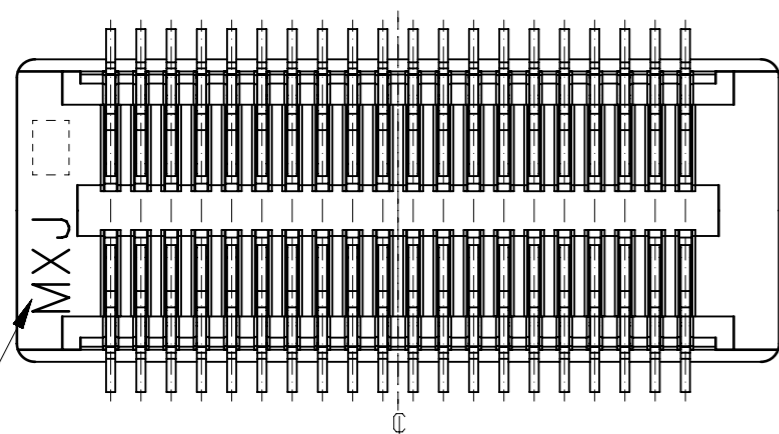
注記 NOTES:

1. 使用材料 MATERIAL
ハウジング : 液晶ポリマーガラス充填, UL94V-0 (黒)
HOUSING : LIQUID CRYSTAL POLYMER (GLASS FILLED)
UL94V-0 (COLOR:BLACK)
ターミナル : リン青銅 (t=0.15)
TERMINAL : PHOSPHOR BRONZE (t=0.15)

2. メッキ仕様 PLATING
金メッキ 0.25 マイクロメートル以上 (コンタクト部)
GOLD 0.25 MICROMETER MINIMUM (CONTACT AREA).
金メッキ 0.4 マイクロメートル以下 (テール部)
GOLD 0.4 MICROMETER MAXIMUM (TAIL AREA).
下地メッキ: ニッケルメッキ 1.5 マイクロメートル以上
UNDER PLATING : NICKEL 1.5 MICROMETER MINIMUM.

*コンタクト部とテール部はニッケルメッキによって分断されている金メッキです。
DIVIDE INTO PARTS THE GOLD PLATING OF THE CONTACT AND THE TAIL PART BY THE NICKEL PLATING.

3. (全極数 / 2) = 偶数の場合に適用。
APPLY FOR (CIRCUIT/2)=EVEN.
4. 嵌合相手 : 55560シリーズ(嵌合高さ = 1.5mm)
MATE WITH : 55560 SERIES.(HEIGHT=1.5mm)
5. テール平坦度は、0.1以下
TAIL COPLANARITY TO BE 0.1 MAXIMUM.



トレードマーク
TRADE MARK

20.5	19.5	22.6	54722-0804	80
15.5	14.5	17.6	54722-0604	60
13.0	12.0	15.1	54722-0504	50
10.5	9.5	12.6	54722-0404	40
9.5	8.5	11.6	54722-0364	36
9.0	8.0	11.1	54722-0344	34
C	B	A	Emboss tape Package ORDER No. オーダー番号	極数 CIRCUIT

CONNECTOR SERIES No. 54722-***3

THIS DRAWING CONTAINS INFORMATION THAT IS PROPRIETARY TO MOLEX ELECTRONIC TECHNOLOGIES, LLC AND SHOULD NOT BE USED WITHOUT WRITTEN PERMISSION

GENERAL TOLERANCES (UNLESS SPECIFIED)		mm	SCALE
0.25 ^{UNDER}	±0.2	mm	8:1
0.25 ^{OVER} 0.5 ^{UNDER}	±0.2	GENERAL TOLERANCES (UNLESS SPECIFIED)	
0.5 ^{OVER} 1.0 ^{UNDER}	±0.2	ANGULAR TOL	± °
1.0 ^{OVER} 1.0 ^{UNDER}	±0.2	4 PLACES	± °
1.0 ^{OVER} 3.0 ^{UNDER}	±0.25	3 PLACES	± °
3.0 ^{OVER}	±0.3	2 PLACES	± °
ANGULAR+3°		1 PLACE	± °
0 PLACES		0 PLACES	± °

EC NO: 642297	2020/07/29
DRWN: SCV	2020/11/30
CHK'D: HSHIMOMYAMA	2020/11/30
APPR: SHOSHIKAWA	2020/11/30
INITIAL REVISION:	
DRWN: T.ITO	2003/08/20
APPR: T.YAMAGUCHI	2003/08/20

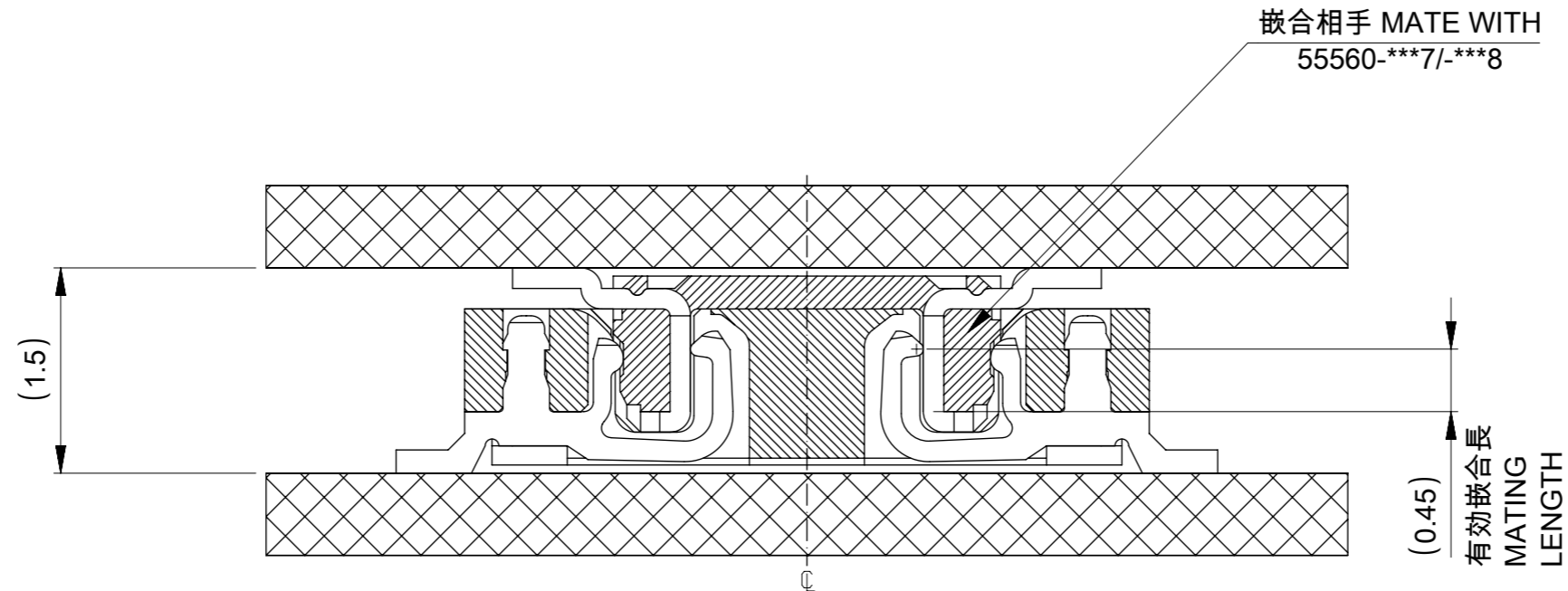
molex

0.5 MM PITCH B-TO-B CONN.
HEIGHT = 1.5 RECEPTACLE

PRODUCT CUSTOMER DRAWING

DOCUMENT NUMBER: SD-54722-011
DOC TYPE: PSD
DOC PART: 001
REVISION: D

MATERIAL NUMBER: SEE TABLE
CUSTOMER: GENERAL
SHEET NUMBER: 2 OF 3



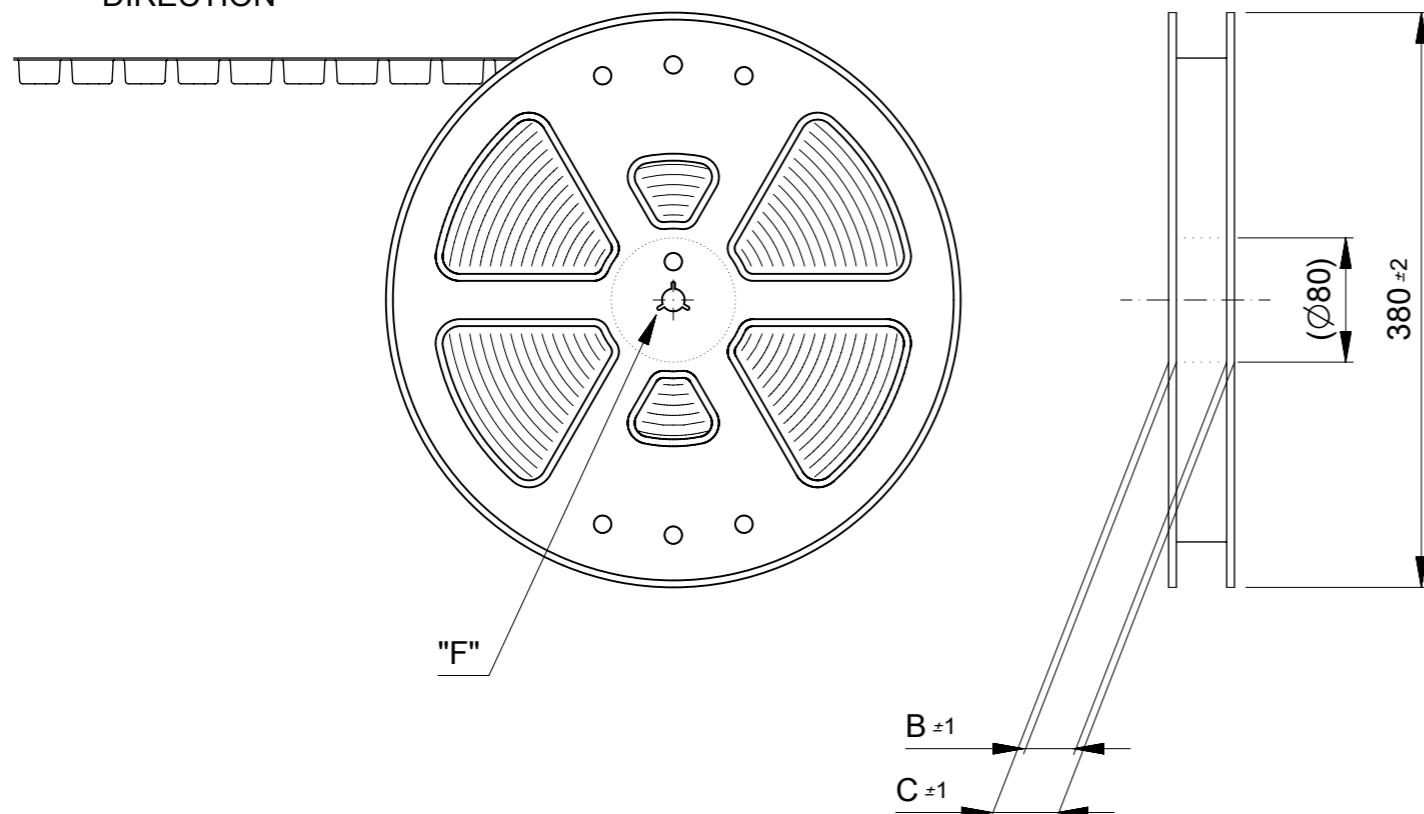
嵌合断面図 (参考)
MATED DRAWING (REF.)

GENERAL TOLERANCES (UNLESS SPECIFIED)		DIMENSION UNITS: mm		SCALE: 20:1		THIS DRAWING CONTAINS INFORMATION THAT IS PROPRIETARY TO MOLEX ELECTRONIC TECHNOLOGIES, LLC AND SHOULD NOT BE USED WITHOUT WRITTEN PERMISSION		molex	
0.25 ^{OVER}	±0.2	0.25 ^{UNDER}	±0.2	GENERAL TOLERANCES (UNLESS SPECIFIED)		CURRENT REV DESC: REVISED			
0.5 ^{OVER}	±0.2	0.5 ^{UNDER}	±0.2	ANGULAR TOL ±		EC NO: 642297		0.5 MM PITCH B-TO-B CONN. HEIGHT = 1.5 RECEPTACLE	
1.0 ^{OVER}	±0.2	1.0 ^{UNDER}	±0.2	4 PLACES ±		DRWN: SCV		2020/07/29	
10 ^{OVER}	±0.25	30 ^{UNDER}	±0.3	3 PLACES ±		CHK'D: HSHIMOYAMA		2020/11/30	
ANGULAR+3°		0 PLACES ±		2 PLACES ±		APPR: SHOSHIKAWA		2020/11/30	
DRAFT WHERE APPLICABLE MUST REMAIN WITHIN DIMENSIONS		DRAFT WHERE APPLICABLE MUST REMAIN WITHIN DIMENSIONS		1 PLACE ±		INITIAL REVISION:		DOCUMENT NUMBER	
				0 PLACES ±		DRWN: T.ITO		SD-54722-011	
				THIRD ANGLE PROJECTION		APPR: T.YAMAGUCHI		DOC TYPE	
				DRAWING		SERIES		DOC PART	
				A3-SIZE		54722		REVISION	
				MATERIAL NUMBER		CUSTOMER		SHEET NUMBER	
				SEE TABLE		GENERAL		3 OF 3	

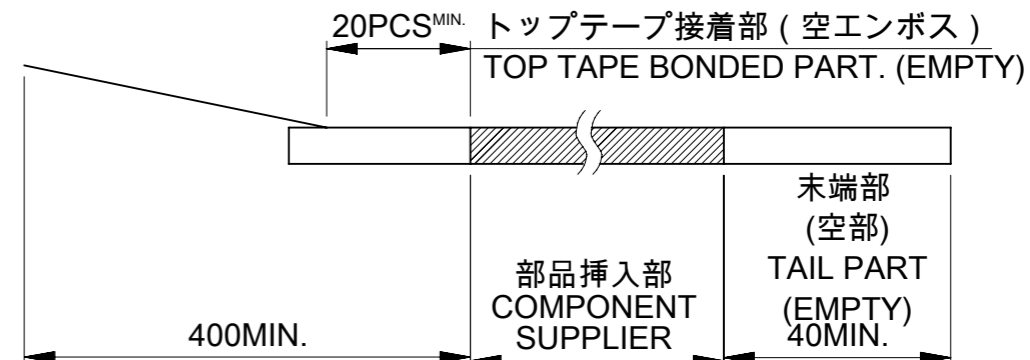
注記 NOTE

- 1. 製品詳細寸法については図面 SD-54722-011 を参照下さい。
DETAIL DIMENSIONS, SEE SD-54722-011
- 2. 梱包数量 : 3000個 / リール
NUMBER OF CONNECTORS : 3000PCS/REEL
- 3. リードテープ長さ LEAD TAPE LENGTH

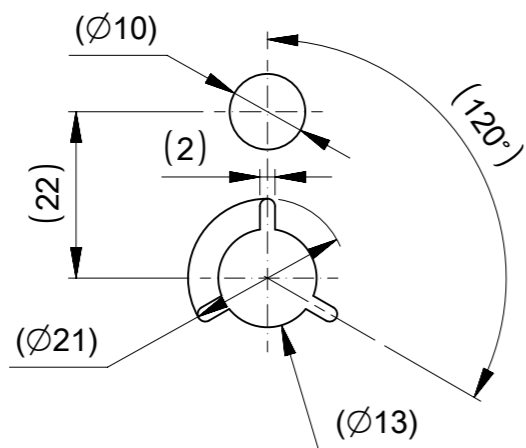
引き出し方向
←
PULL OUT
DIRECTION



引き出し方向
←
PULL OUT
DIRECTION

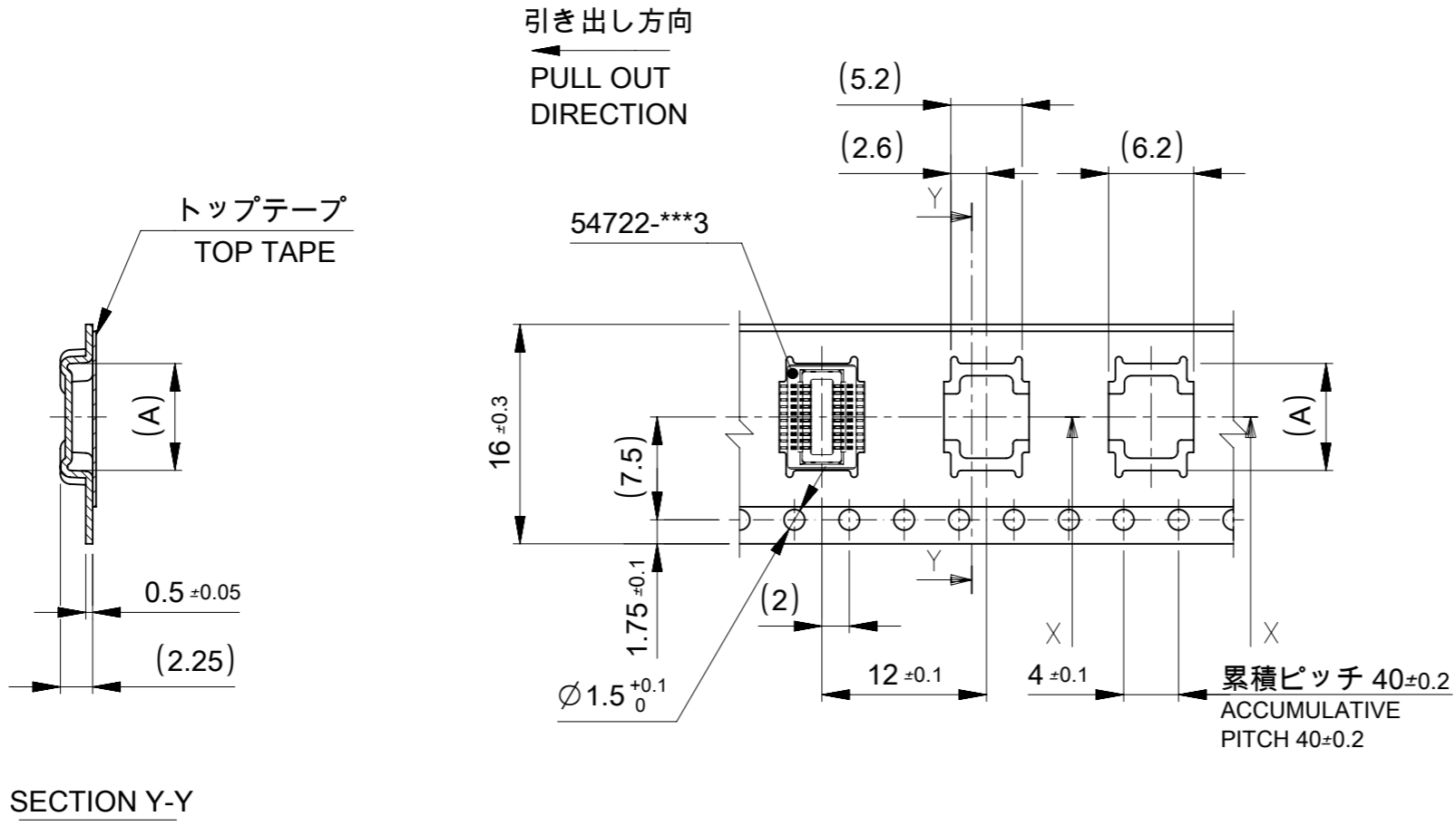


- 4. カバーテープの剥離強度については、IEC60286-3に準拠
COVER TAPE PEEL FORCE IS DEFINED BY IEC60286-3.
- 5. 材料 (MATERIAL)
 キャリアテープ (CARRIER TAPE) : ポリプロピレン (POLYPROPYLENE)
 トップテープ (TOP TAPE) : PET, PE, PEF
 リール (REEL) : ポリスチレン (PS) <リサイクル材を含む>
 POLYSTYRENE(PS) <RECYCLE MATERIAL CONTAINED >



DETAIL "F"

THIS DRAWING CONTAINS INFORMATION THAT IS PROPRIETARY TO MOLEX ELECTRONIC TECHNOLOGIES, LLC AND SHOULD NOT BE USED WITHOUT WRITTEN PERMISSION		CURRENT REV DESC: REVISED		molex	
DIMENSION UNITS	SCALE				
mm	NTS				
GENERAL TOLERANCES (UNLESS SPECIFIED)		GENERAL TOLERANCES (UNLESS SPECIFIED)		EC NO: 649457	
ANGULAR TOL ± °		ANGULAR TOL ± °		DRWN: SCV 2020/07/29	
4 PLACES ±		4 PLACES ±		CHK'D: HSHIMUYAMA 2020/12/02	
3 PLACES ±		3 PLACES ±		APPR: SHOSHIKAWA 2020/12/02	
2 PLACES ±		2 PLACES ±		INITIAL REVISION:	
1 PLACE ±		1 PLACE ±		DRWN: T.ITO 2003/08/20	
0 PLACES ±		0 PLACES ±		APPR: Y.YAMAGUCHI 2003/08/20	
DRAFT WHERE APPLICABLE MUST REMAIN WITHIN DIMENSIONS		DRAFT WHERE APPLICABLE MUST REMAIN WITHIN DIMENSIONS		THIRD ANGLE PROJECTION	DRAWING
				⊕	A3-SIZE
				SERIES	54722
DOCUMENT STATUS		P1		RELEASE DATE	2020/12/02 10:53:46
DOCUMENT NUMBER		SD-54722-012		DOC TYPE	PSD
DOC PART		001		REVISION	D
CUSTOMER		GENERAL		SHEET NUMBER	
				1 OF 5	

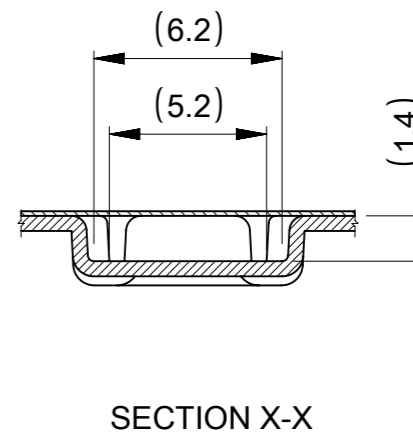
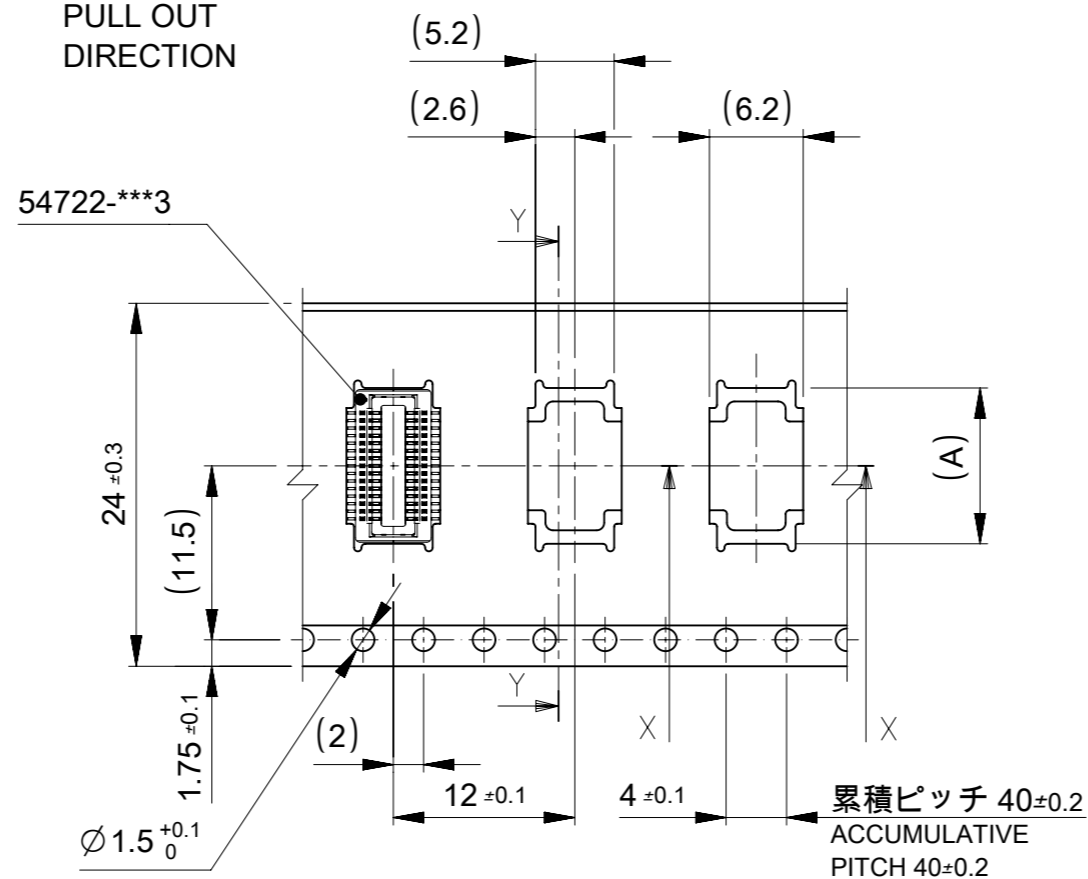
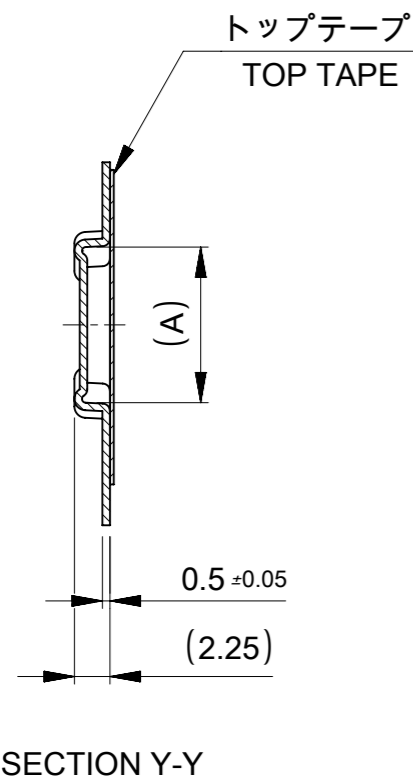


16 mm幅キャリアテープ
16mm WIDTH CARRIER TAPE

16	21.4	17.4	6.8	54722-0204	20
				54722-0164	16
キャリアテープ幅 CARRIER TAPE WIDTH			C	B	(A)
				MATERIAL NO.	極数 CIRCUIT

THIS DRAWING CONTAINS INFORMATION THAT IS PROPRIETARY TO MOLEX ELECTRONIC TECHNOLOGIES, LLC AND SHOULD NOT BE USED WITHOUT WRITTEN PERMISSION		CURRENT REV DESC: REVISED		molex	
DIMENSION UNITS mm	SCALE NTS				
GENERAL TOLERANCES (UNLESS SPECIFIED)		GENERAL TOLERANCES (UNLESS SPECIFIED)		EC NO: 649457	
10 ^{UNDER}	±0.2	4 PLACES	±	DRWN: SCV	2020/07/29
10 ^{OVER} 30 ^{UNDER}	±0.25	3 PLACES	±	CHK'D: HSHIMOYAMA	2020/12/02
30 ^{OVER}	±0.3	2 PLACES	±	APPR: SHOSHIKAWA	2020/12/02
ANGULAR+3°		1 PLACE	±	INITIAL REVISION:	
		0 PLACES	±	DRWN: T.ITO	2003/08/20
DRAFT WHERE APPLICABLE MUST REMAIN WITHIN DIMENSIONS		DRAFT WHERE APPLICABLE MUST REMAIN WITHIN DIMENSIONS		APPR: Y.YAMAGUCHI	2003/08/20
THIRD ANGLE PROJECTION		DRAWING		SERIES	DOCUMENT NUMBER
A3-SIZE		A3-SIZE		54722	SD-54722-012
MATERIAL NUMBER		CUSTOMER		DOC TYPE	DOC PART
SEE TABLE		GENERAL		PSD	001
SHEET NUMBER				REVISION	D
2 OF 5					

引き出し方向
 ←
 PULL OUT
 DIRECTION

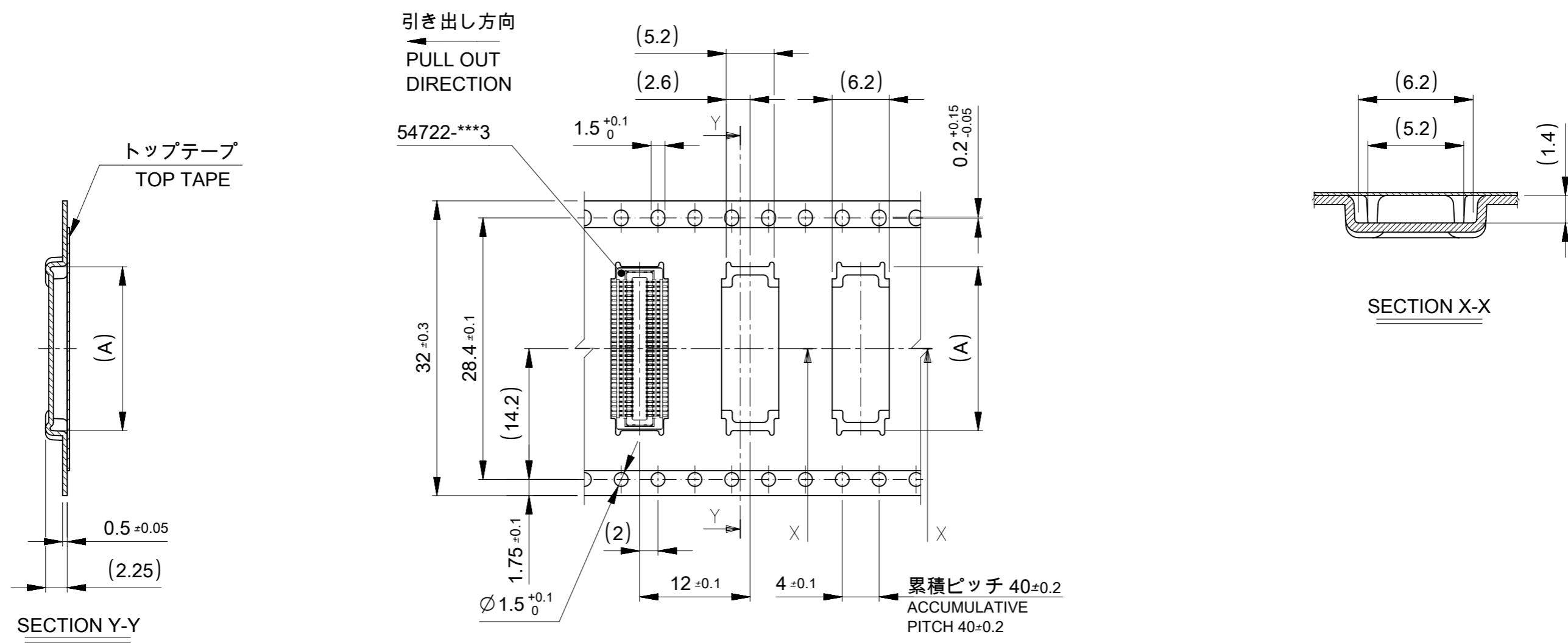


24 mm幅キャリアテープ
 24mm WIDTH CARRIER TAPE

24	29.4	25.4	15.3	54722-0504	50		
			12.8	54722-0404	40		
			11.8	54722-0364	36		
			11.3	54722-0344	34		
			10.3	54722-0304	30		
			8.8	54722-0244	24		
			8.3	54722-0224	22		
キャリアテープ幅 CARRIER TAPE WIDTH			C	B	(A)	MATERIAL NO.	極数 CIRCUIT

THIS DRAWING CONTAINS INFORMATION THAT IS PROPRIETARY TO MOLEX ELECTRONIC TECHNOLOGIES, LLC AND SHOULD NOT BE USED WITHOUT WRITTEN PERMISSION

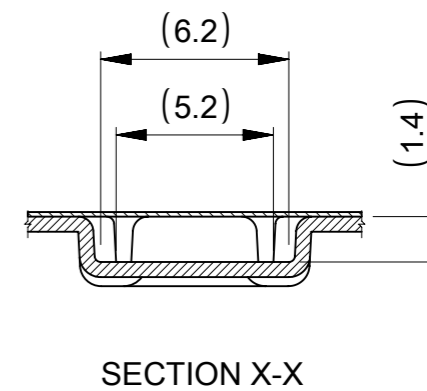
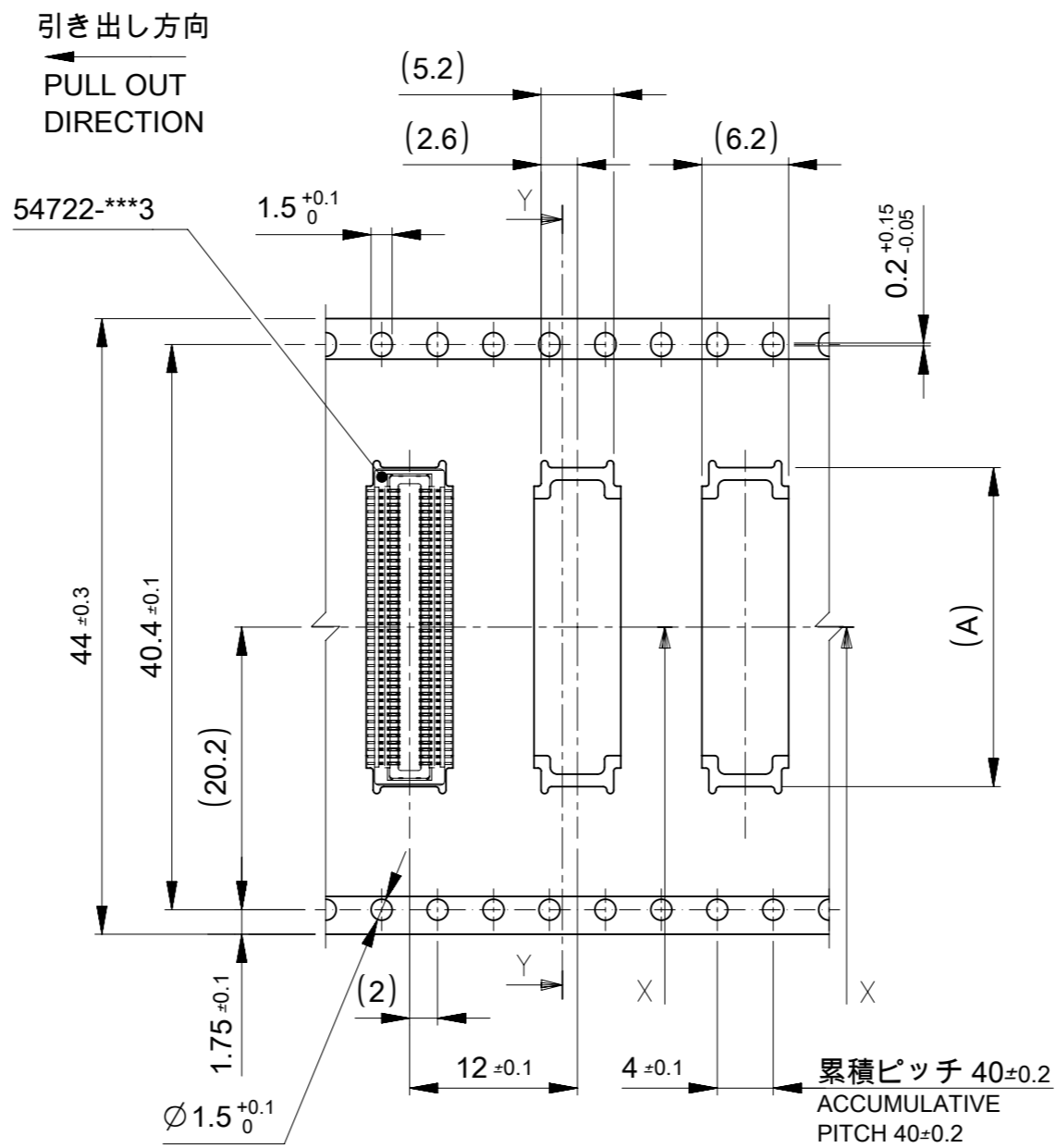
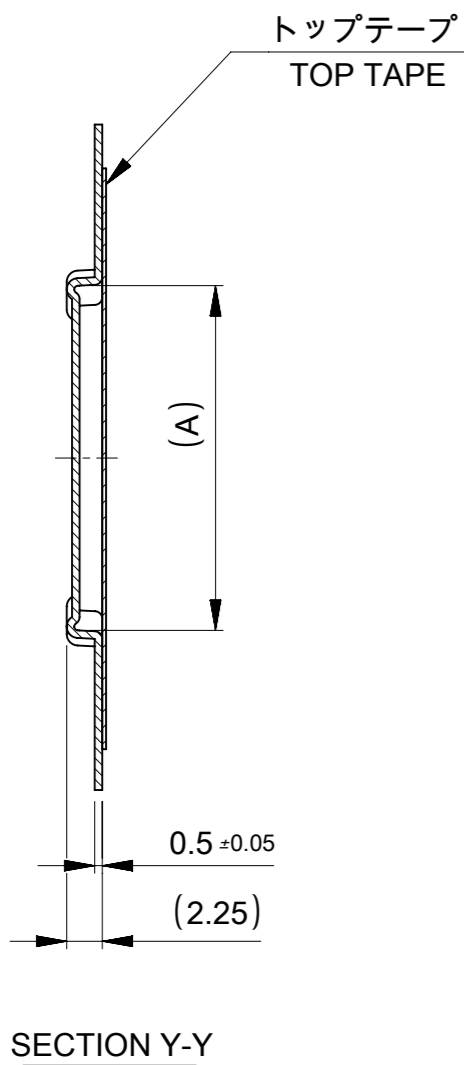
DIMENSION UNITS mm	SCALE NTS	CURRENT REV DESC: REVISED		molex		
GENERAL TOLERANCES (UNLESS SPECIFIED)		EC NO: 649457				
ANGULAR TOL ± °		DRWN: SCV		PRODUCT CUSTOMER DRAWING		
4 PLACES ±		CHK'D: HSHIMUYAMA		DOCUMENT NUMBER		
3 PLACES ±		APPR: SHOSHIKAWA		SD-54722-012		
2 PLACES ±		INITIAL REVISION:		DOC TYPE		
1 PLACE ±		DRWN: T.ITO		PSD		
0 PLACES ±		APPR: Y.YAMAGUCHI		DOC PART		
DRAFT WHERE APPLICABLE MUST REMAIN WITHIN DIMENSIONS		THIRD ANGLE PROJECTION		REVISION		
DRAFT WHERE APPLICABLE MUST REMAIN WITHIN DIMENSIONS		DRAWING		001		
		SERIES		D		
		MATERIAL NUMBER		3 OF 5		
		CUSTOMER				
		SHEET NUMBER				



32 mm幅キャリアテープ
32mm WIDTH CARRIER TAPE

32	37.4	33.4	17.8	54722-0604	60
キャリアテープ幅 CARRIER TAPE WIDTH		C	B	(A) MATERIAL NO.	極数 CIRCUIT

THIS DRAWING CONTAINS INFORMATION THAT IS PROPRIETARY TO MOLEX ELECTRONIC TECHNOLOGIES, LLC AND SHOULD NOT BE USED WITHOUT WRITTEN PERMISSION					
DIMENSION UNITS mm		SCALE NTS		CURRENT REV DESC: REVISED	
GENERAL TOLERANCES (UNLESS SPECIFIED)			molex		
ANGULAR TOL ± °			0.5 MM PITCH B-TO-B CONN. HEIGHT = 1.5 RECEPTACLE EMBOSS TAPE PACKAGE		
GENERAL TOLERANCES (UNLESS SPECIFIED)			PRODUCT CUSTOMER DRAWING		
10 ^{UNDER}	±0.2	4 PLACES	EC NO: 649457	2020/07/29	
10 ^{OVER} 30 ^{UNDER}	±0.25	3 PLACES	DRWN: SCV	2020/12/02	
30 ^{OVER}	±0.3	2 PLACES	CHK'D: HSHIMUYAMA	2020/12/02	
ANGULAR ± 3°			APPR: SHOSHIKAWA	2020/12/02	
DRAFT WHERE APPLICABLE MUST REMAIN WITHIN DIMENSIONS			INITIAL REVISION:		
DRAFT WHERE APPLICABLE MUST REMAIN WITHIN DIMENSIONS			DRWN: T.ITO	2003/08/20	
THIRD ANGLE PROJECTION			APPR: Y.YAMAGUCHI	2003/08/20	
DRAWING A3-SIZE		SERIES 54722		DOCUMENT NUMBER SD-54722-012	DOC TYPE PSD
MATERIAL NUMBER SEE TABLE		CUSTOMER GENERAL		DOC PART 001	REVISION D
SHEET NUMBER 4 OF 5					



44 mm幅キャリアテープ
44mm WIDTH CARRIER TAPE

44	49.4	45.4	22.8	54722-0804	80
キャリアテープ幅 CARRIER TAPE WIDTH			C	B	(A)
			MATERIAL NO.	極数 CIRCUIT	

THIS DRAWING CONTAINS INFORMATION THAT IS PROPRIETARY TO MOLEX ELECTRONIC TECHNOLOGIES, LLC AND SHOULD NOT BE USED WITHOUT WRITTEN PERMISSION					
DIMENSION UNITS	SCALE	CURRENT REV DESC: REVISED			
mm	NTS	molex 0.5 MM PITCH B-TO-B CONN. HEIGHT = 1.5 RECEPTACLE EMBOSS TAPE PACKAGE			
GENERAL TOLERANCES (UNLESS SPECIFIED)					
ANGULAR TOL ± °		EC NO: 649457	2020/07/29		
4 PLACES ±		DRWN: SCV	2020/12/02		
3 PLACES ±		CHK'D: HSHIMOYAMA	2020/12/02		
2 PLACES ±		APPR: SHOSHIKAWA	2020/12/02		
1 PLACE ±		INITIAL REVISION:	PRODUCT CUSTOMER DRAWING		
0 PLACES ±		DRWN: T.ITO	DOCUMENT NUMBER	DOC TYPE	DOC PART
ANGULAR+3°		APPR: Y.YAMAGUCHI	SD-54722-012	PSD	001
DRAFT WHERE APPLICABLE MUST REMAIN WITHIN DIMENSIONS		THIRD ANGLE PROJECTION	MATERIAL NUMBER	CUSTOMER	REVISION
		DRAWING	SEE TABLE	GENERAL	D
		SERIES	54722		
		SHEET NUMBER	5 OF 5		