

THIS DRAWING IS UNPUBLISHED.

RELEASED FOR PUBLICATION

20

© COPYRIGHT 20

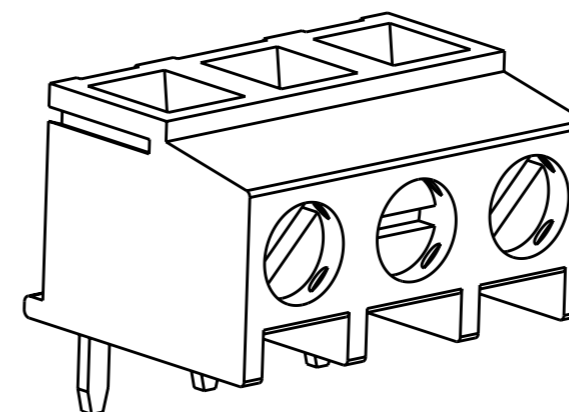
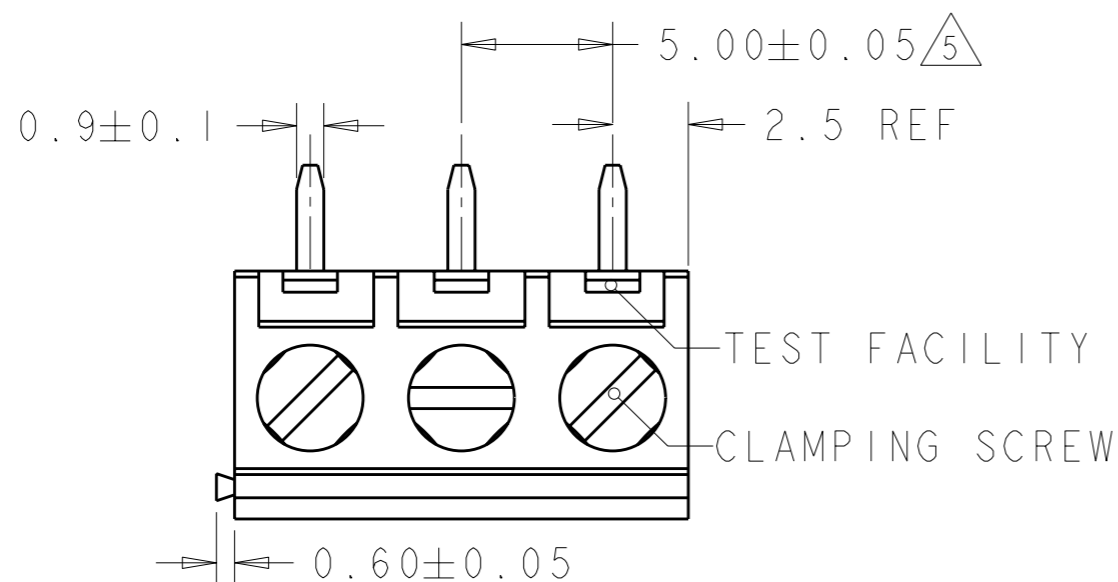
BY -

ALL RIGHTS RESERVED.

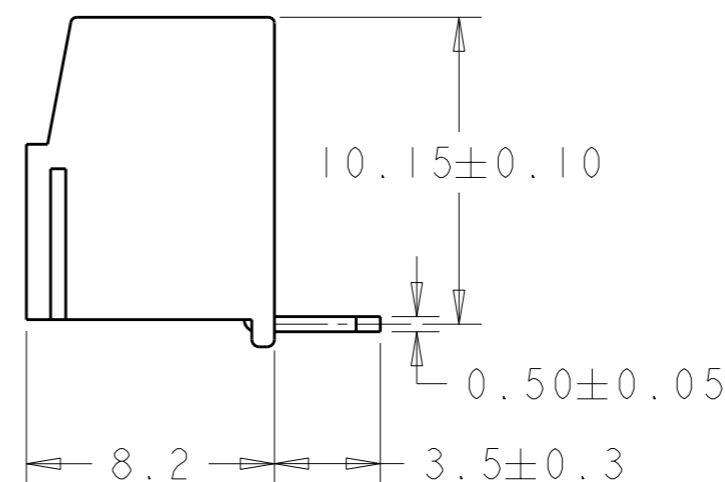
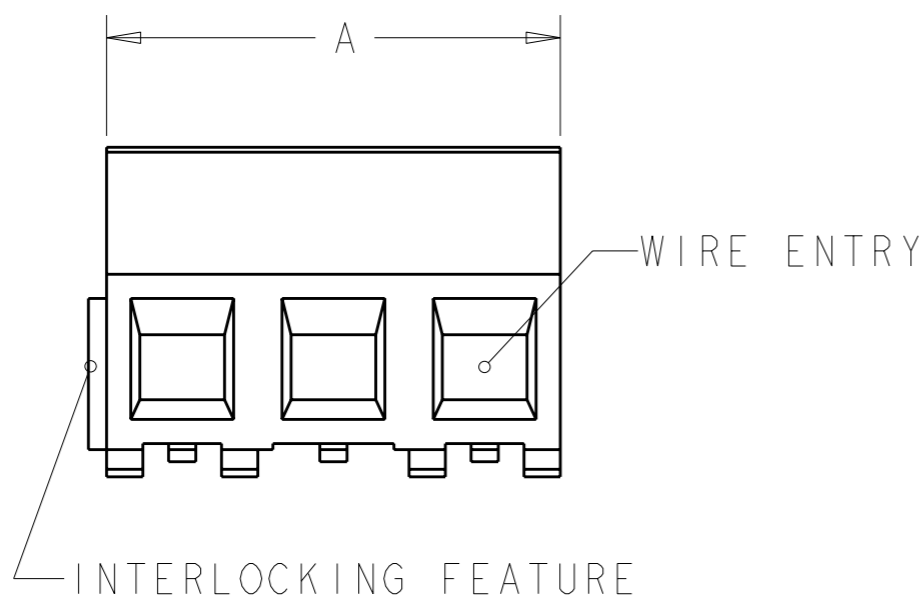
LOC	DIST
FT	0

REVISIONS

P	LTR	DESCRIPTION	DATE	DWN	APVD
	D2	REVISED PER ECO-11-005027	14MAR2011	RK	HMR

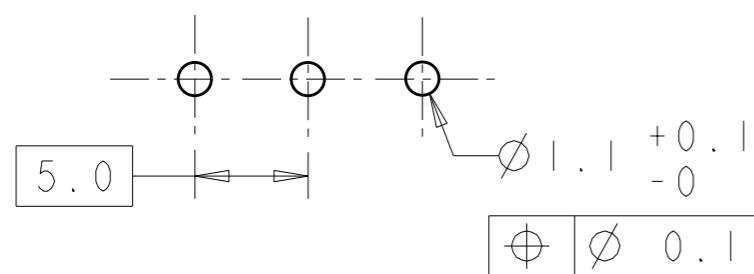


284093-3 AS SHOWN



DIM. A	N° OF POS.	PART NUMBER
125	25	2-284093-5
120	24	2-284093-4
115	23	2-284093-3
110	22	2-284093-2
105	21	2-284093-1
100	20	2-284093-0
95	19	1-284093-9
90	18	1-284093-8
85	17	1-284093-7
80	16	1-284093-6
75	15	1-282093-5
70	14	1-284093-4
65	13	1-284093-3
60	12	1-284093-2
55	11	1-284093-1
50	10	1-284093-0
45	9	284093-9
40	8	284093-8
35	7	284093-7
30	6	284093-6
25	5	284093-5
20	4	284093-4
15	3	284093-3
10	2	284093-2



RECOMMENDED PC BOARD LAYOUT


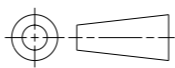


THIS DRAWING IS A CONTROLLED DOCUMENT.		DWN E. ZANOLINI IOSEP2001	TE Connectivity	
DIMENSIONS: mm		CHK D. BIEVENOUR IOSEP2001		
TOLERANCES UNLESS OTHERWISE SPECIFIED:		APVD D. BIEVENOUR IOSEP2001	NAME TERMINAL BLOCK, PCB MOUNT TOP ENTRY WIRE, STACKING W/INTERLOCK, 5.00mm PITCH	
0 PLC ±-		PRODUCT SPEC 10820166	SIZE A3	
1 PLC ±.3		APPLICATION SPEC 114-20079	CAGE CODE 00779	DRAWING NO C-284093
2 PLC ±.25		WEIGHT -	RESTRICTED TO -	
3 PLC ±-		MATERIAL FINISH	SCALE 4:1	
4 PLC ±-			SHEET 1 OF 2	
ANGLES ±2		REV D2		
CUSTOMER DRAWING				

THIS DRAWING IS UNPUBLISHED. RELEASED FOR PUBLICATION 20
 © COPYRIGHT 20 BY - ALL RIGHTS RESERVED.

LOC	DIST	REVISIONS			
P	LTR	DESCRIPTION	DATE	DWN	APVD
		SEE SHEET 1	-	-	-

- 1  MATERIALS AND FINISH
 HOUSING: PA 6-6, UL 94-V0, COLOR GREEN.
 CLAMP: BRASS, NICKEL PLATED.
 TERMINAL: BRASS, TIN PLATED.
 CLAMPING SCREW: M3, BRASS, NICKEL PLATED.
- 2 SUITABLE FOR 1,6-2,4mm PC BOARD THICKNESS.
- 3 END-TO-END STACKABLE W/INTERLOCK WITHOUT LOSS OF CENTERLINE SPACING.
- 4 WIRE SIZE RANGE
 SOLID WIRE: 0,03-1,5mm² (15AWG).
 STRANDED WIRE: 0,03-1mm² (17AWG).
- 5  NOT CUMULATIVE TOLERANCE.
- 6 PART COMPLIES WITH EN 60335-1.

THIS DRAWING IS A CONTROLLED DOCUMENT.		DWN E. ZANOLINI	10SEP2001		 TE Connectivity
DIMENSIONS: mm		CHK D. BIEVENOUR	10SEP2001		
		APVD D. BIEVENOUR	10SEP2001		
TOLERANCES UNLESS OTHERWISE SPECIFIED:		PRODUCT SPEC			
0 PLC ±- 1 PLC ±- 2 PLC ±- 3 PLC ±- 4 PLC ±- ANGLES ±2		APPLICATION SPEC			NAME TERMINAL BLOCK, PCB MOUNT TOP ENTRY WIRE, STACKING W/INTERLOCK, 5.00mm PITCH
MATERIAL	FINISH	WEIGHT			SIZE A3
-	-	-			CAGE CODE 00779
CUSTOMER DRAWING		DRAWING NO C-284093			RESTRICTED TO -
		SCALE 4:1			SHEET 2 OF 2
					REV D2