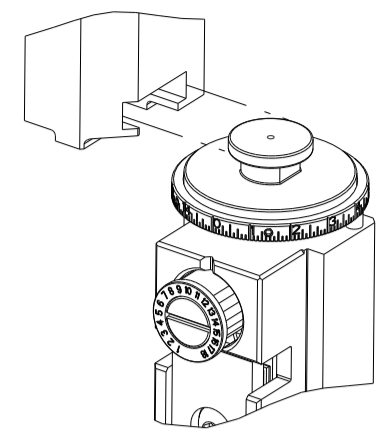


PART NUMBER	REVISION	DESCRIPTION	FEED TYPE
2266102-1	D	FINE CRIMP HEIGHT ADJUST	MECHANICAL
2266102-2	E	FINE CRIMP HEIGHT ADJUST	PNEUMATIC
5-2266102-1	D	SEAL STRIPPER CRIMPER TERMINATING UNIT	MECHANICAL
5-2266102-2	E	SEAL STRIPPER CRIMPER TERMINATING UNIT	PNEUMATIC
7-2266102-1	D	MECHANICAL AND CRIMP TOOLING KIT	MECHANICAL
7-2266102-2	E	PNEUMATIC AND CRIMP TOOLING KIT	PNEUMATIC
7-2266102-7	B	CRIMP TOOLING KIT	-
7-2266102-8	C	APPLICATOR CONVERSION KIT	-

ATLANTIC VERSION TERMINATOR INTERFACE ADAPTER



APPLICATOR DATA		
CRIMP	SIZE	TYPE
WIRE	2.29 mm [.090]	F
INSUL	2.29 mm [.090]	O

APPLICATOR INSTRUCTIONS
408-35042

APPLICATOR CONVERSION KITS		
PART NUMBER	INSULATION DIAMETER RANGE	
7-2266100-8	Ø 3.05-3.81mm [.120-.150]	
7-2266101-8	Ø 2.67-3.02mm [.105-.119]	
7-2266102-8	Ø 2.26-2.64mm [.089-.104]	
7-2266103-8	Ø 1.93-2.24mm [.076-.088]	
7-2266104-8	Ø 1.60-1.91mm [.063-.075]	

TERMINAL DATA: DEUTSCH TERMINAL TE CRIMP SPECIFICATION			
TERMINAL NAME: STAMPED CONTACT PIN SIZE 16			
WIRE STRIP LENGTH	INSULATION DIAMETER RANGE		
3.81-5.09 mm [.150-.200 IN]	Ø 2.26-2.64 mm [.089-.104 IN]		
TERMINAL APPLICATION SPECIFICATION	114-151000		
TERMINALS APPLIED			
TE TERMINAL	DEUTSCH TERMINAL	TE TERMINAL	DEUTSCH TERMINAL
286503-1	1060-16-0122	286503-2	1060-16-0144
286503-3	1060-16-0177	286503-7	1060-16-0722
286503-8	1060-16-0744	286503-9	1060-16-0777
1-286503-1	1060-16-0977	1-286503-2	1060-16-0988
1-286503-4	AT60-16-0122	1-286503-5	AT60-16-0144

TERMINAL DATA: DEUTSCH TERMINAL TE CRIMP SPECIFICATION			
TERMINAL NAME: STAMPED CONTACT SOCKET SIZE 16			
WIRE STRIP LENGTH	INSULATION DIAMETER RANGE		
3.81-5.09 mm [.150-.200 IN]	Ø 2.26-2.64 mm [.089-.104 IN]		
TERMINAL APPLICATION SPECIFICATION	114-151000		
TERMINALS APPLIED			
TE TERMINAL	DEUTSCH TERMINAL	TE TERMINAL	DEUTSCH TERMINAL
286504-1	1062-16-0122	286504-2	1062-16-0144
286504-3	1062-16-0177	286504-7	1062-16-0722
286504-8	1062-16-0744	286504-9	1062-16-0777
1-286504-1	1062-16-0977	1-286504-2	1062-16-0988
1-286504-5	AT62-16-0122	1-286504-6	AT62-16-0144

WIRE SIZE	CRIMP HEIGHT mm [INCH]	CRIMP HEIGHT REFERENCE SETTING
14 AWG	1.40+0.03/-0.05 [.055+.001/- .002]	4.6
2.00mm2	1.40+0.03/-0.05 [.055+.001/- .002]	4.6
1.50mm2	1.35+0.03/-0.05 [.053+.001/- .002]	5.2
16 AWG	1.27+0.03/-0.05 [.050+.001/- .002]	6.0
1.00mm2	1.27+0.03/-0.05 [.050+.001/- .002]	6.0
18 AWG	1.24+0.03/-0.05 [.049+.001/- .002]	6.2
0.75mm2	1.22+0.03/-0.05 [.048+.001/- .002]	6.4

- 1. RECOMMENDED SPARE PARTS
- 2. REFER TO SUPPLIED INSTRUCTION SHEET FOR CLEANING, LUBRICATION & STORAGE OF APPLICATOR.
- 3. APPLY PART NUMBER 1-23419-5 LOCTITE TO THREADS OF ITEM 180. APPLY PART NUMBER 2-23419-6 LOCTITE TO THREADS OF ITEM 242.
- 4. CRIMP HEIGHT REFERENCE SETTING WAS THE SETTING USED WHEN THE APPLICATOR WAS QUALIFIED AT THE FACTORY. ADJUSTMENT MAY BE NECESSARY WHEN RUNNING APPLICATOR IN THE FIELD.
- 5. SEE APPROPRIATE APPLICATOR LOG SHEETS FOR APPLIED TERMINALS, WIRE RANGE AND MEMORY CHIP.
- 6. TERMINAL LUBRICANT IS RECOMMENDED.
- 7. UNLESS SPECIFIED OTHERWISE TORQUE VALUES SHALL BE USED PER DOCUMENT, 101-35000.

***WARNING**
ON INSTALLATION, SET WIRE DISC TO CRIMP HEIGHT REFERENCE SETTING FOR LARGEST WIRE SIZE. CRIMP HEIGHT REFERENCE SETTINGS GREATER THAN THE VALUE SHOWN MAY CAUSE DAMAGE TO THE CRIMP TOOLING, REFER TO THE INSTRUCTION SHEET FOR PROPER SETUP AND ADJUSTMENTS.

ATLANTIC VERSION
Shown on sheets 1 of 4 & 2 of 4
(Pacific version shown on sheets 3 of 4 & 4 of 4)

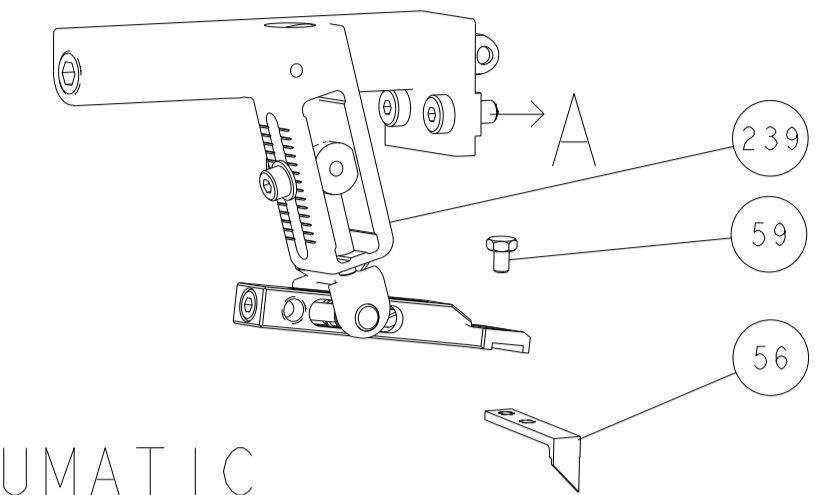
LOC	DIST	REVISIONS					
A	66	P	LTN	DESCRIPTION	DATE	OWN	APVD
		C		ECR-17-010304	14JUL2017	RK	GB
		D		ECR-18-010218	06JUL2018	LG	CT
		E		ECR-21-115425	28SEP2021	FJ	RK

-	-	-	-	1	1	-	-	1803515-3	RAM ASSEMBLY, SF ATLANTIC	293
-	-	-	-	1	1	-	-	2-1803583-1	APPLICATOR BASIC ASSEMBLY, SF	292
-	-	1	-	1	-	1	-	2119641-1	FEED CAM, AIR FEED	248
-	-	1	1	1	1	1	1	2119082-9	CAM, SWAIL, INSULATION ADJUSTMENT	244
-	-	1	1	1	1	1	1	2079764-1	WASHER, WAVE SPRING, CREST-TO-CREST	243
-	-	1	1	1	1	1	1	2119083-1	RETAINER, INSULATION DIAL	242
-	-	1	1	1	1	1	1	7-18023-7	SCR, SKT HD CAP M3 X 4.0	241
-	-	-	1	-	1	-	1	2119580-1	MECHANICAL FEED ASSEMBLY	239
-	-	-	1	-	1	-	1	2844940-1	AIR FEED MODULE	238
-	-	-	-	-	1	1	-	4-1722335-3	STRIPPER, SIDE FEED	182
-	-	-	-	1	1	-	-	1-5018030-0	NUT, HEX, REG, RoHS, M3.5	181
-	-	-	-	1	1	-	-	1-1752354-6	STANDOFF, HOLD-DOWN	180
-	-	-	-	1	1	-	-	993111-1	PIN, SLOTTED SPRING 3.0 X 20.0	177
-	-	-	-	1	1	-	-	5-22280-0	SPRING, COMPRESSION	176
-	-	-	-	1	1	-	-	1752353-3	GUIDE PIN, HOLDDOWN	175
-	-	-	-	1	1	-	-	1901680-2	GUIDE PIN, HOLDDOWN	174
-	-	REF	REF	REF	REF	REF	REF	994970-2	COUNTER, MAGNETIC	164
-	-	1	1	1	1	1	1	1-18028-2	WASHER, FLAT, REG M4	119
-	-	1	1	1	1	1	1	2119955-1	ASSY, LUBRICATOR, SIDE FEED	113
-	-	1	1	1	1	1	1	2844908-1	SCREW, LOCKING	99
-	-	1	1	1	1	1	1	2844907-1	POST, LOCKING	98
1	-	1	1	1	1	1	1	455888-6	SPACER, CRIMPER	82
1	-	-	-	-	-	-	-	2266102	PRINT, APPLICATOR LOG SHEET	72
-	-	1	1	1	1	1	1	1803607-3	DOCUMENTATION PACKAGE	71
-	-	2	2	2	2	2	2	2119791-9	DEPRESSOR, WIRE	70
-	-	1	1	1	1	1	1	2119740-1	TAG, IDENTIFICATION	67
-	-	2	2	2	2	2	2	2168078-1	SCREW, DRIVE, RH, RoHS, 2 x .188	66
-	-	1	1	1	1	1	1	2168083-2	SCR, SKT HD CAP, RoHS, M4 X 8.0	60
-	-	1	1	1	1	1	1	5-18022-5	SCR, HEX HD CAP, M4 X 6.0	59
-	-	1	1	1	1	1	1	1338685-1	PAWL, FEED	56
-	-	4	4	4	4	4	4	2168083-3	SCR, SKT HD CAP, RoHS, M4 X 12.0	54
-	-	2	2	2	2	2	2	1-2168083-0	SCR, SKT HD CAP, RoHS, M4 X 10	53
-	-	1	1	1	1	1	1	5018030-1	NUT, HEX, REG, RoHS, M3	52
-	-	1	1	1	1	1	1	811242-5	BUMPER, HOLD DOWN	51
-	-	1	1	1	1	1	1	690753-2	SPACER, TONKER	50
-	-	1	2	1	2	1	2	18023-9	SCR, SKT HD CAP M4 X 6.0	49
-	-	-	1	-	1	-	1	2119652-1	FEED CAM, PRE FEED	48
-	-	-	1	-	1	-	1	2119653-1	FEED CAM, POST FEED	47
-	-	1	1	-	-	1	1	1803583-9	APPLICATOR BASIC ASSEMBLY, SF	46
-	-	1	1	-	-	1	1	1803515-1	RAM ASSEMBLY, SF ATLANTIC	44
-	-	1	1	1	1	1	1	1803602-1	SCR, BHSC, RoHS (M8 X 25)	41
-	-	1	1	1	1	1	1	2-1752356-0	SUPPORT, TERMINAL	34
-	-	2	2	2	2	2	2	2079383-5	SCR, BHSC, RoHS (M4 X 20)	33
-	-	2	2	2	2	2	2	2-2844962-8	SPACER, CYLINDRICAL, STRIP GUIDE	30
-	-	1	1	1	1	1	1	2844992-1	ASSEMBLY, STRIP GUIDE	29
-	-	1	1	1	1	1	1	1320928-2	STRIP GUIDE	24
-	-	1	1	-	-	1	1	2168083-2	SCR, SKT HD CAP, RoHS, M4 X 8.0	21
-	-	1	1	-	-	1	1	1-18028-2	WASHER, FLAT, REG M4	20
-	-	1	1	-	-	1	1	2119533-1	STRIPPER, SIDE FEED	19
-	-	1	1	1	1	1	1	2119806-1	INSERT, SHEAR	13
-	-	1	1	1	1	1	1	3-22280-3	SPRING, COMPRESSION	12
-	-	1	1	1	1	1	1	1-356885-4	STOP, SHEAR	11
-	-	1	1	1	1	1	1	2119805-1	SHEAR HOLDER, FRONT	10
-	-	1	1	1	1	1	1	1803095-1	FLOATING SHEAR, FRONT	9
1	1	2	2	1	1	1	1	1803293-3	ANVIL, COMBINATION DEUTSCH STYLE	8
-	-	-	-	-	-	-	-	-	-	7
-	-	-	-	-	-	-	-	-	-	6
-	-	1	1	1	1	1	1	2119757-8	DEPRESSOR, SHEAR	5
-	-	1	1	1	1	1	1	238011-9	BLOCK, CRIMPER SPACER	4
1	1	2	2	1	1	1	1	1803019-5	CRIMPER, INSULATION O	3
1	-	1	1	1	1	1	1	455888-4	SPACER, CRIMPER	2
-	-	1	2	2	1	1	1	2-1633713-6	CRIMPER, WIRE PREMIUM	1

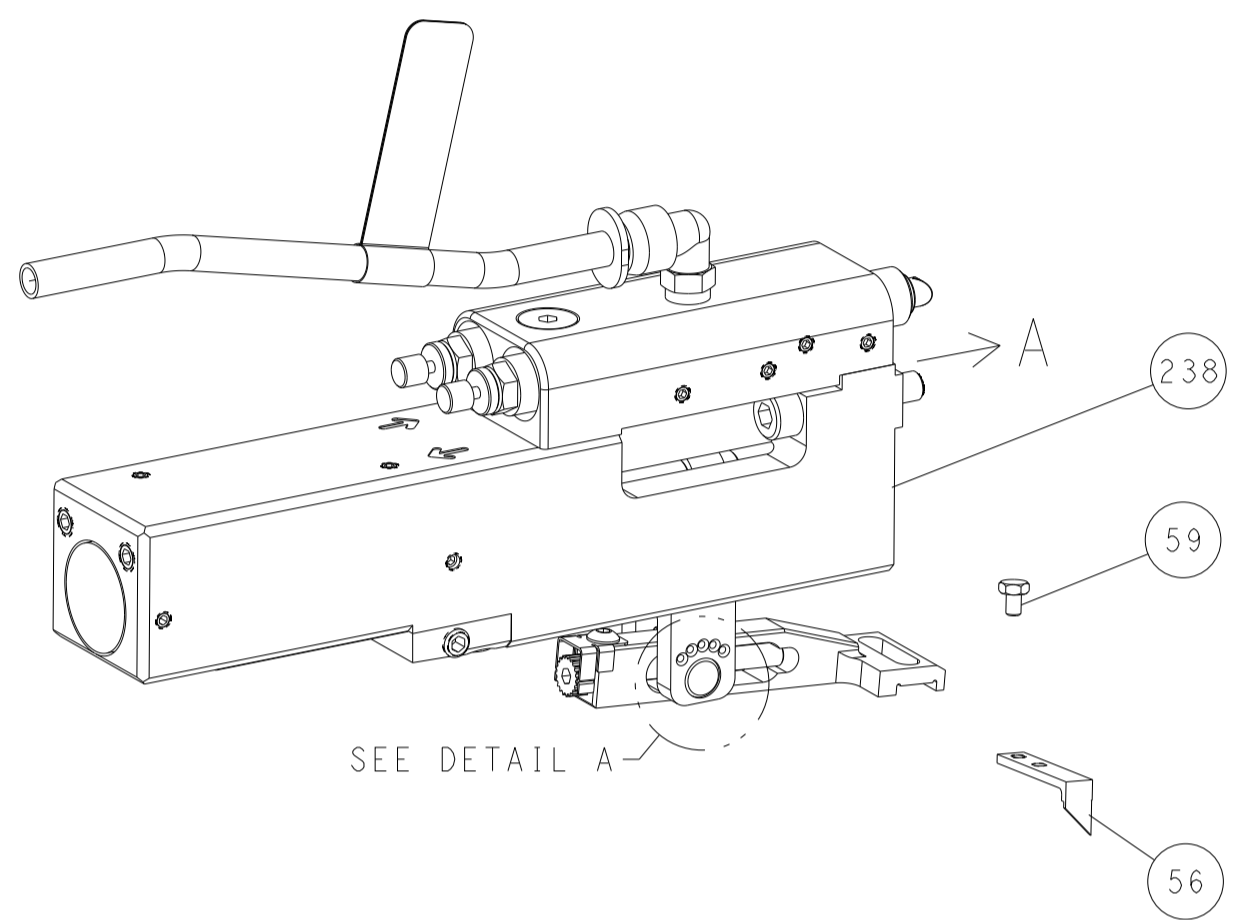
DIMENSIONS:		TOLERANCES UNLESS OTHERWISE SPECIFIED:		MATERIAL:		FINISH:		WEIGHT:	
0	PLC	±							
1	PLC	±							
2	PLC	±							
3	PLC	±							
4	PLC	±							
5	PLC	±							
6	PLC	±							
7	PLC	±							
8	PLC	±							
9	PLC	±							
10	PLC	±							
11	PLC	±							
12	PLC	±							
13	PLC	±							
14	PLC	±							
15	PLC	±							
16	PLC	±							
17	PLC	±							
18	PLC	±							
19	PLC	±							
20	PLC	±							
21	PLC	±							
22	PLC	±							
23	PLC	±							
24	PLC	±							
25	PLC	±							
26	PLC	±							
27	PLC	±							
28	PLC	±							
29	PLC	±							
30	PLC	±							
31	PLC	±							
32	PLC	±							
33	PLC	±							
34	PLC	±							
35	PLC	±							
36	PLC	±							
37	PLC	±							
38	PLC	±							
39	PLC	±							
40	PLC	±							
41	PLC	±							
42	PLC	±							
43	PLC	±							
44	PLC	±							
45	PLC	±							
46	PLC	±							
47	PLC	±							
48	PLC	±							
49	PLC	±							
50	PLC	±							
51	PLC	±							
52	PLC	±							
53	PLC	±							
54	PLC	±							

LOC	DIST	REVISIONS			
A	66	REV	DATE	BY	APPV
-	-	SEE SHEET 1	-	-	-

FEED TYPE MECHANICAL



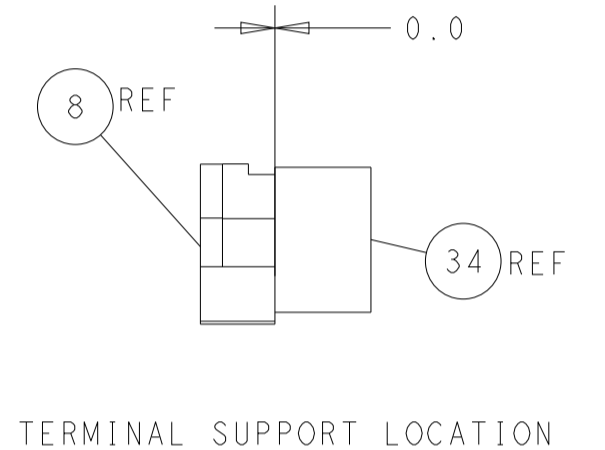
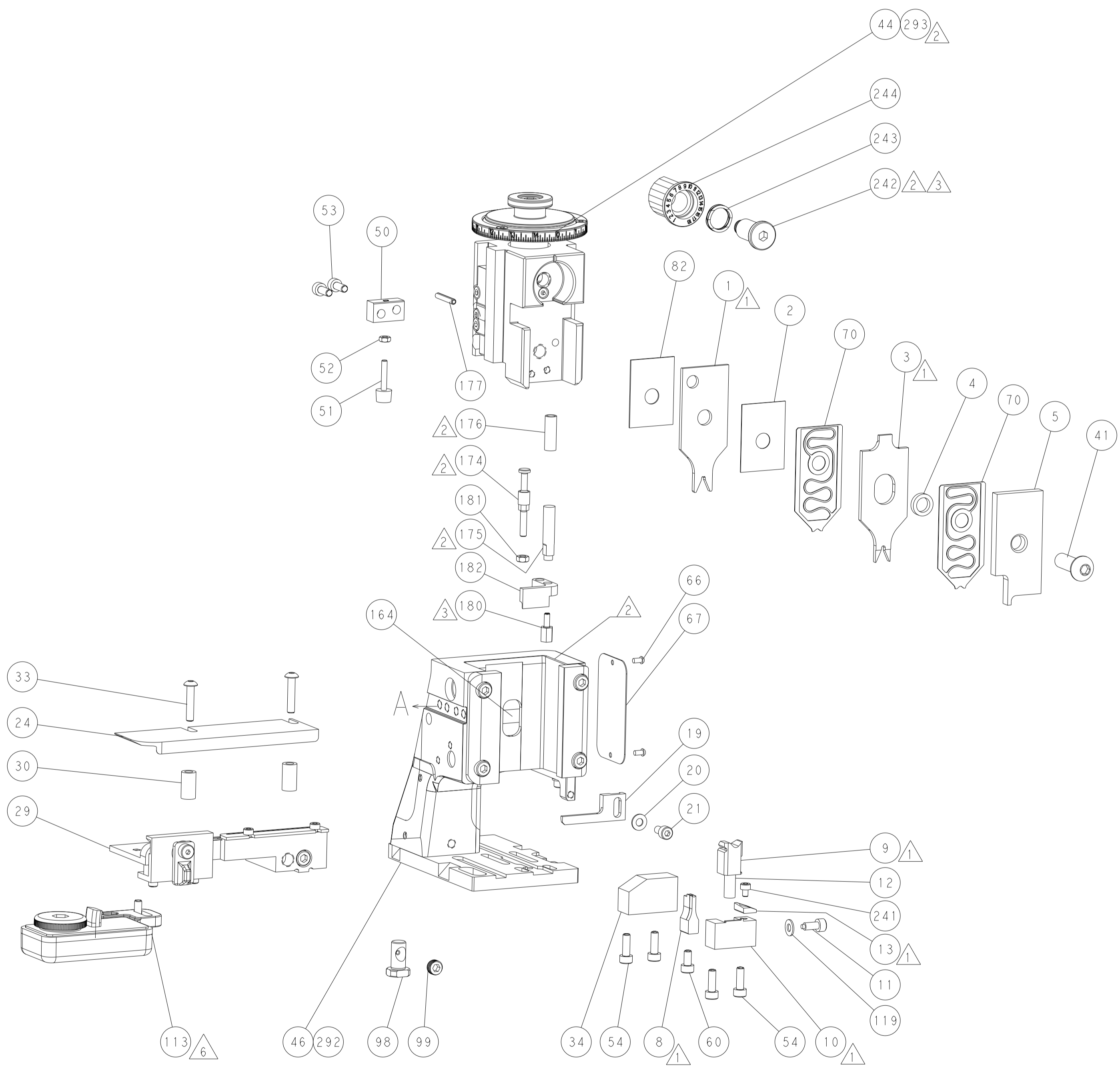
PNEUMATIC



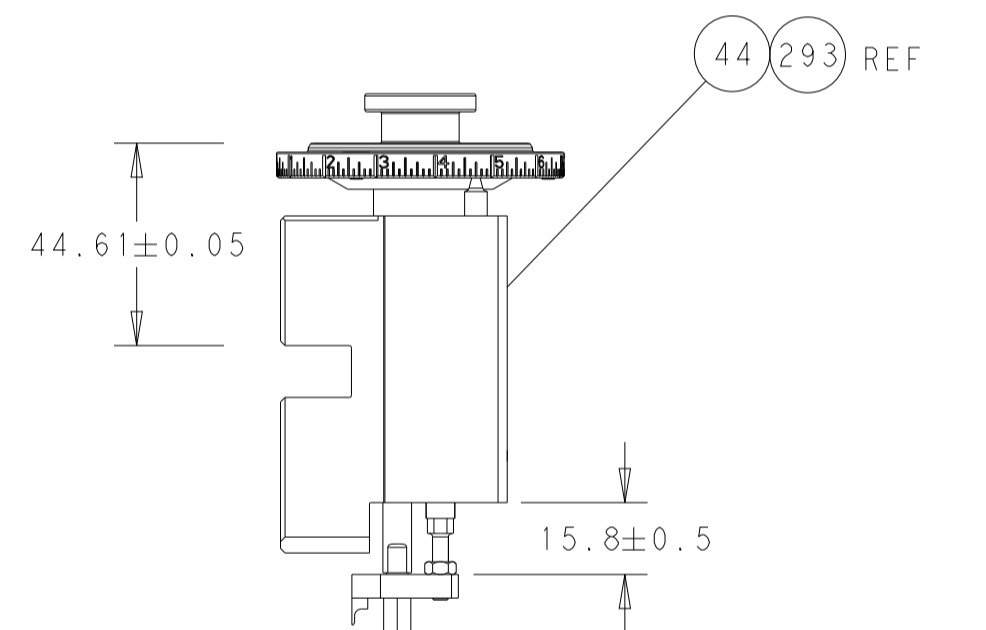
FEED SPRING SETTING POSITION (SHOWN FROM REAR SIDE)



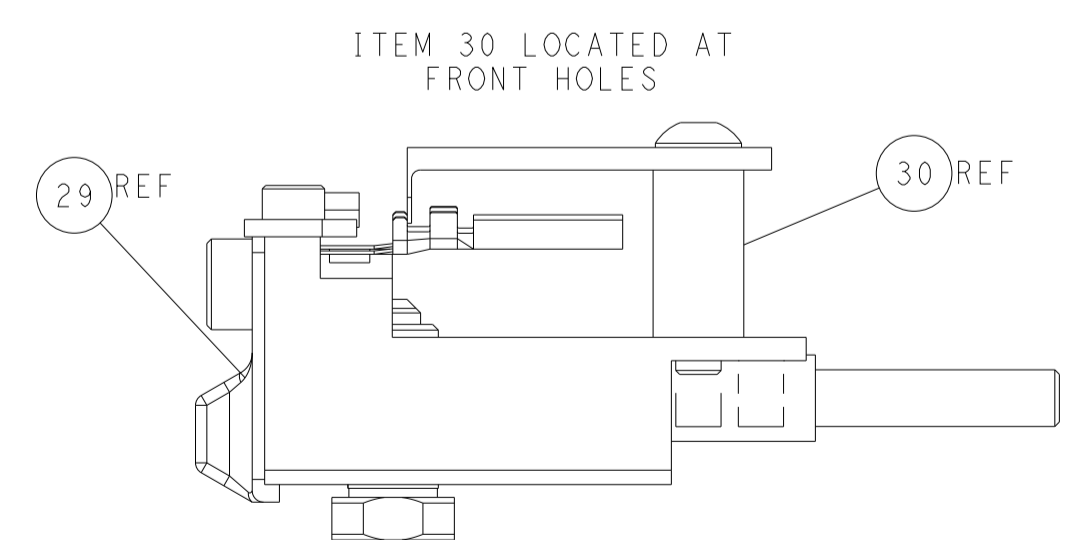
DETAIL A



TERMINAL SUPPORT LOCATION

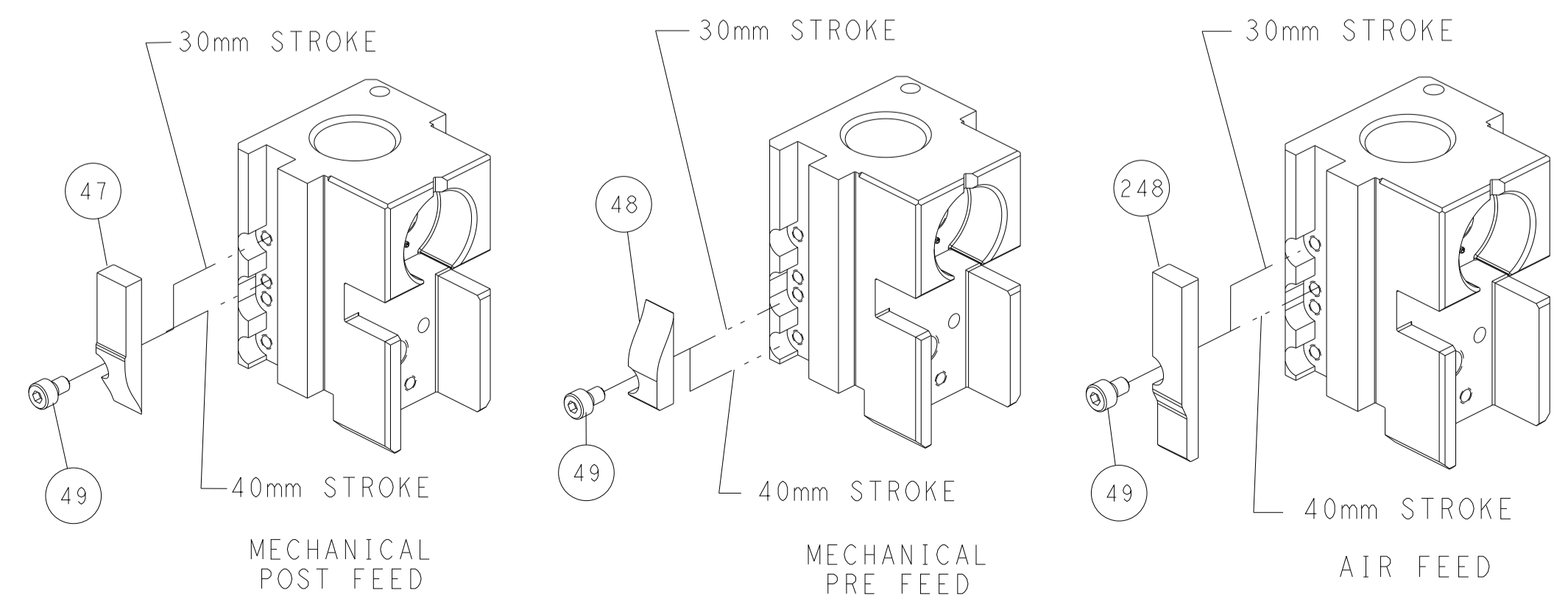


RAM AND HOLDDOWN SET-UP



FEED TRACK POSITION GUIDE BY INSULATION BARREL

CAM POSITIONS



ATLANTIC VERSION
 Shown on sheets 1 of 4 & 2 of 4
 (Pacific version shown on sheets 3 of 4 & 4 of 4)

DIMENSIONS:		TOLERANCES UNLESS OTHERWISE SPECIFIED:		DWG: R. KNEPPER 04-Oct-13		TE Connectivity	
mm	0 PLC ±	1 PLC ±	2 PLC ±	3 PLC ±	4 PLC ±	Harrisburg, PA 17105-3608	
MATERIAL:		FINISH:		CHK: G. BAILEY 04-Oct-13		NAME: Ocean Side Feed Applicator	
-		-		APVD: M. CLIFFORD 04-Oct-13		SIZE: A1	
-		-		PRODUCT SPEC:		CAGE CODE: 00779	
-		-		APPLICATION SPEC:		DRAWING NO: C=2266102	
-		-		WEIGHT:		SCALE: 1:2	
-		-		Customer Accessible Production Drawing		SHEET 2 OF 4	
-		-		-		REV E	

PART NUMBER	REVISION	DESCRIPTION	FEED TYPE
2-2266102-1	D	FINE CRIMP HEIGHT ADJUST	MECHANICAL
2-2266102-2	E	FINE CRIMP HEIGHT ADJUST	PNEUMATIC
7-2266102-7	B	CRIMP TOOLING KIT	-
7-2266102-8	C	APPLICATOR CONVERSION KIT	-

PACIFIC VERSION TERMINATOR
 INTERFACE ADAPTER



APPLICATOR DATA

CRIMP	SIZE	TYPE
WIRE	2.29 mm [.090]	F
INSUL	2.29 mm [.090]	O

APPLICATOR INSTRUCTIONS
 408-35042

APPLICATOR CONVERSION KITS

PART NUMBER	INSULATION DIAMETER RANGE
7-2266100-8	Ø3.05-3.81mm [.120-.150]
7-2266101-8	Ø2.67-3.02mm [.105-.119]
7-2266102-8	Ø2.26-2.64mm [.089-.104]
7-2266103-8	Ø1.93-2.24mm [.076-.088]
7-2266104-8	Ø1.60-1.91mm [.063-.075]

TERMINAL DATA: DEUTSCH TERMINAL TE CRIMP SPECIFICATION

TERMINAL NAME: STAMPED CONTACT PIN SIZE 16

WIRE STRIP LENGTH	INSULATION DIAMETER RANGE
3.81-5.09 mm [.150-.200 IN]	Ø2.26-2.64 mm [.089-.104 IN]

TERMINAL APPLICATION SPECIFICATION 114-151000

TERMINALS APPLIED

TE TERMINAL	DEUTSCH TERMINAL	TE TERMINAL	DEUTSCH TERMINAL
286503-1	1060-16-0122	286503-2	1060-16-0144
286503-3	1060-16-0177	286503-7	1060-16-0722
286503-8	1060-16-0744	286503-9	1060-16-0777
1-286503-1	1060-16-0977	1-286503-2	1060-16-0988
1-286503-4	AT60-16-0122	1-286503-5	AT60-16-0144

TERMINAL DATA: DEUTSCH TERMINAL TE CRIMP SPECIFICATION

TERMINAL NAME: STAMPED CONTACT SOCKET SIZE 16

WIRE STRIP LENGTH	INSULATION DIAMETER RANGE
3.81-5.09 mm [.150-.200 IN]	Ø2.26-2.64 mm [.089-.104 IN]

TERMINAL APPLICATION SPECIFICATION 114-151000

TERMINALS APPLIED

TE TERMINAL	DEUTSCH TERMINAL	TE TERMINAL	DEUTSCH TERMINAL
286504-1	1062-16-0122	286504-2	1062-16-0144
286504-3	1062-16-0177	286504-7	1062-16-0722
286504-8	1062-16-0744	286504-9	1062-16-0777
1-286504-1	1062-16-0977	1-286504-2	1062-16-0988
1-286504-5	AT62-16-0122	1-286504-6	AT62-16-0144

WIRE SIZE	CRIMP HEIGHT mm [INCH]	CRIMP HEIGHT REFERENCE SETTING
14 AWG	1.40+0.03/-0.05 [.055+ .001/- .002]	4.6
2.00mm2	1.40+0.03/-0.05 [.055+ .001/- .002]	4.6
1.50mm2	1.35+0.03/-0.05 [.053+ .001/- .002]	5.2
16 AWG	1.27+0.03/-0.05 [.050+ .001/- .002]	6.0
1.00mm2	1.27+0.03/-0.05 [.050+ .001/- .002]	6.0
18 AWG	1.24+0.03/-0.05 [.049+ .001/- .002]	6.2
0.75mm2	1.22+0.03/-0.05 [.048+ .001/- .002]	6.4

- 1 RECOMMENDED SPARE PARTS
- 2 REFER TO SUPPLIED INSTRUCTION SHEET FOR CLEANING, LUBRICATION & STORAGE OF APPLICATOR.
- 3 APPLY PART NUMBER 2-23419-6 LOCTITE TO THREADS OF ITEM 242.
- 4 CRIMP HEIGHT REFERENCE SETTING WAS THE SETTING USED WHEN THE APPLICATOR WAS QUALIFIED AT THE FACTORY. ADJUSTMENT MAY BE NECESSARY WHEN RUNNING APPLICATOR IN THE FIELD.
- 5 SEE APPROPRIATE APPLICATOR LOG SHEETS FOR APPLIED TERMINALS, WIRE RANGE AND MEMORY CHIP.
- 6 TERMINAL LUBRICANT IS RECOMMENDED.
- 7. UNLESS SPECIFIED OTHERWISE TORQUE VALUES SHALL BE USED PER DOCUMENT, 101-35000.

***WARNING**
 ON INSTALLATION, SET WIRE DISC TO CRIMP HEIGHT REFERENCE SETTING FOR LARGEST WIRE SIZE. CRIMP HEIGHT REFERENCE SETTINGS GREATER THAN THE VALUE SHOWN MAY CAUSE DAMAGE TO THE CRIMP TOOLING, REFER TO THE INSTRUCTION SHEET FOR PROPER SETUP AND ADJUSTMENTS.

PACIFIC VERSION
 Shown on sheets 3 of 4 & 4 of 4
 (Atlantic version shown on sheets 1 of 4 & 2 of 4)

LOC	DIST	REV	DATE	BY	APPV
A	66				

REV	DATE	BY	APPV	DESCRIPTION	ITEM NO	
-	-	1	1	2119082-9	CAM, SNAIL, INSULATION ADJUSTMENT	244
-	-	1	1	2079764-1	WASHER, WAVE SPRING, CREST-TO-CREST	243
-	-	1	1	2119083-1	RETAINER, INSULATION DIAL	242
-	-	1	1	7-18023-7	SCR, SKT HD CAP M3 X 4.0	241
-	-	-	1	2119580-1	MECHANICAL FEED ASSEMBLY	239
-	-	1	-	2844940-1	AIR FEED MODULE	238
-	-	REF	REF	994970-2	COUNTER, MAGNETIC	164
-	-	1	-	2119641-2	FEED CAM, AIR FEED	151
-	-	1	1	2168083-8	SCR, SKT HD CAP, RoHS, M4 X 16	144
-	-	4	4	2168083-9	SCR, SKT HD CAP, RoHS, M4 X 20	143
-	-	-	1	2119653-2	FEED CAM, POST FEED	142
-	-	1	1	1-1803583-0	APPLICATOR BASIC ASSEMBLY, SF	141
-	-	1	1	1803516-1	RAM ASSEMBLY, SF PACIFIC	140
-	-	1	1	1-18028-2	WASHER, FLAT, REG M4	119
-	-	1	1	2119955-1	ASSY, LUBRICATOR, SIDE FEED	113
-	-	1	1	2844908-1	SCREW, LOCKING	99
-	-	1	1	2844907-1	POST, LOCKING	98
1	-	1	1	455888-6	SPACER, CRIMPER	82
1	-	-	-	2266102	PRINT, APPLICATOR LOG SHEET	72
-	-	1	1	1803607-3	DOCUMENTATION PACKAGE	71
-	-	2	2	2119791-9	DEPRESSOR, WIRE	70
-	-	1	1	2119740-1	TAG, IDENTIFICATION	67
-	-	2	2	2168078-1	SCREW, DRIVE, RH, RoHS, 2 x .188	66
-	-	1	1	5-18022-5	SCR, HEX HD CAP, M4 X 6.0	59
-	-	1	1	1338685-1	PAWL, FEED	56
-	-	2	2	1-2168083-0	SCR, SKT HD CAP, RoHS, M4 X 10	53
-	-	1	1	5018030-1	NUT, HEX, REG, RoHS, M3	52
-	-	1	1	811242-5	BUMPER, HOLD DOWN	51
-	-	1	1	690753-2	SPACER, TONKER	50
-	-	1	2	18023-9	SCR, SKT HD CAP M4 X 6.0	49
-	-	-	1	2119652-1	FEED CAM, PRE FEED	48
-	-	1	1	1803602-1	SCR, BHSC, RoHS (M8 X 25)	41
-	-	1	1	2-1752356-0	SUPPORT, TERMINAL	34
-	-	2	2	2079383-5	SCR, BHSC, RoHS (M4 X 20)	33
-	-	2	2	2-2844962-8	SPACER, CYLINDRICAL, STRIP GUIDE	30
-	-	1	1	2844992-1	ASSEMBLY, STRIP GUIDE	29
-	-	1	1	1320928-2	STRIP GUIDE	24
-	-	1	1	2168083-2	SCR, SKT HD CAP, RoHS, M4 X 8.0	21
-	-	1	1	1-18028-2	WASHER, FLAT, REG M4	20
-	-	1	1	2119533-1	STRIPPER, SIDE FEED	19
-	-	1	1	2119806-1	INSERT, SHEAR	13
-	-	1	1	3-22280-3	SPRING, COMPRESSION	12
-	-	1	1	1-356885-4	STOP, SHEAR	11
-	-	1	1	2119805-1	SHEAR HOLDER, FRONT	10
-	-	1	1	1803095-1	FLOATING SHEAR, FRONT	9
-	-	1	1	1803293-3	ANVIL, COMBINATION DEUTSCH STYLE	8
-	-	-	-	-	-	7
-	-	-	-	-	-	6
-	-	1	1	2119757-8	DEPRESSOR, SHEAR	5
-	-	1	1	238011-9	BLOCK, CRIMPER SPACER	4
-	-	1	1	1803019-5	CRIMPER, INSULATION O	3
-	-	1	1	455888-4	SPACER, CRIMPER	2
-	-	1	1	2-1633713-6	CRIMPER, WIRE PREMIUM	1

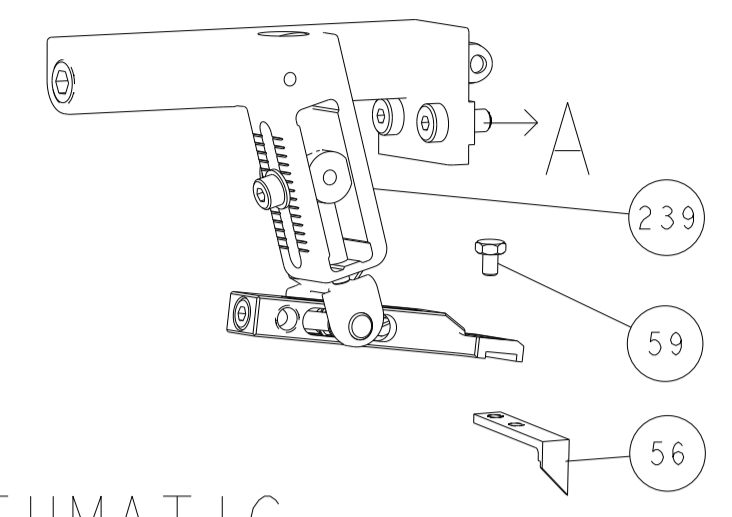
DIMENSIONS:	TOLERANCES UNLESS OTHERWISE SPECIFIED:	APPLICATOR SPEC	RESTRICTED TO
mm	0 PLC ± 1 PLC ± 2 PLC ± 3 PLC ± 4 PLC ± ANGLES ±	APPLICATOR SPEC	Customer Accessible Production Drawing

DATE	BY	APPV	DESCRIPTION
04-Oct-13	R. KNEPPER	G. BAILEY	TE Connectivity Harrisburg, PA 17105-3608
04-Oct-13	G. BAILEY	M. CLIFFORD	Ocean Side Feed Applicator

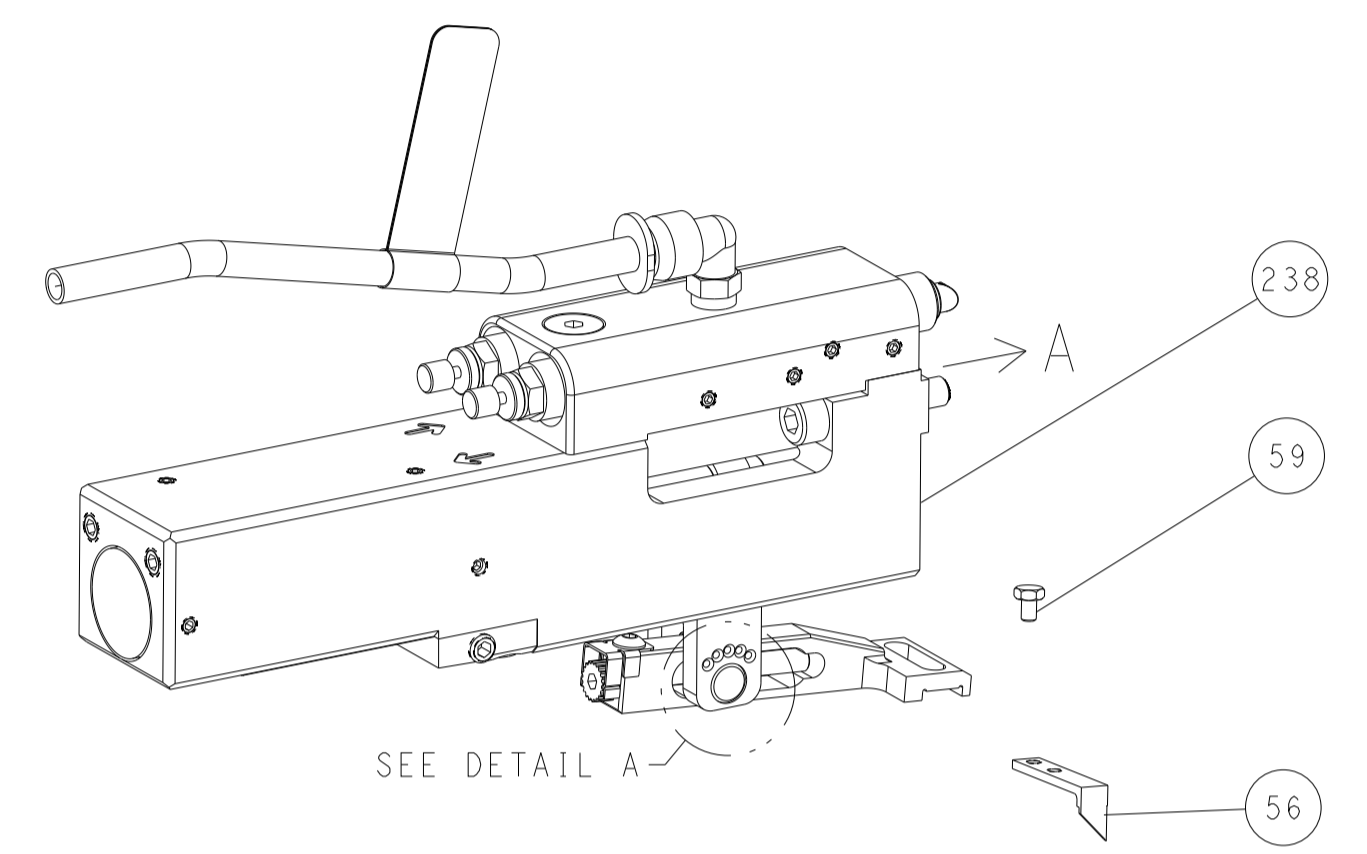
SIZE: A1 CAGE CODE: 00779 DRAWING NO: 2266102
 SCALE: 1:2 SHEET: 3 OF 4 REV: E

LOC	DIST	REVISIONS					
A	66	P	LTN	DESCRIPTION	DATE	OWN	APVD
		-		SEE SHEET 1			

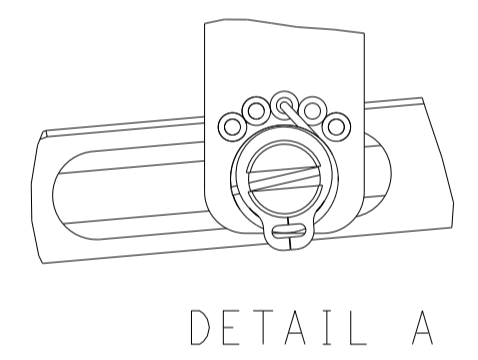
FEED TYPE MECHANICAL



PNEUMATIC

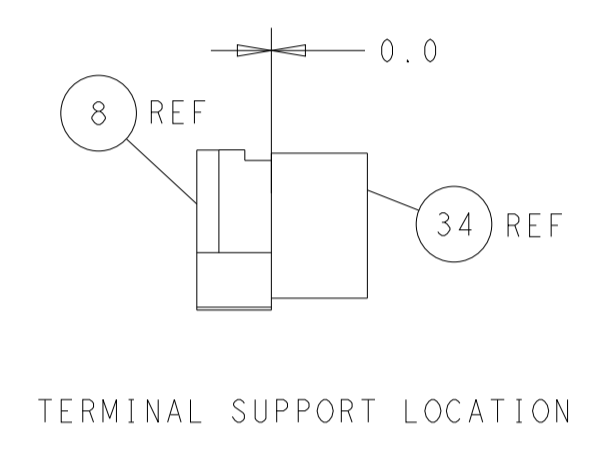
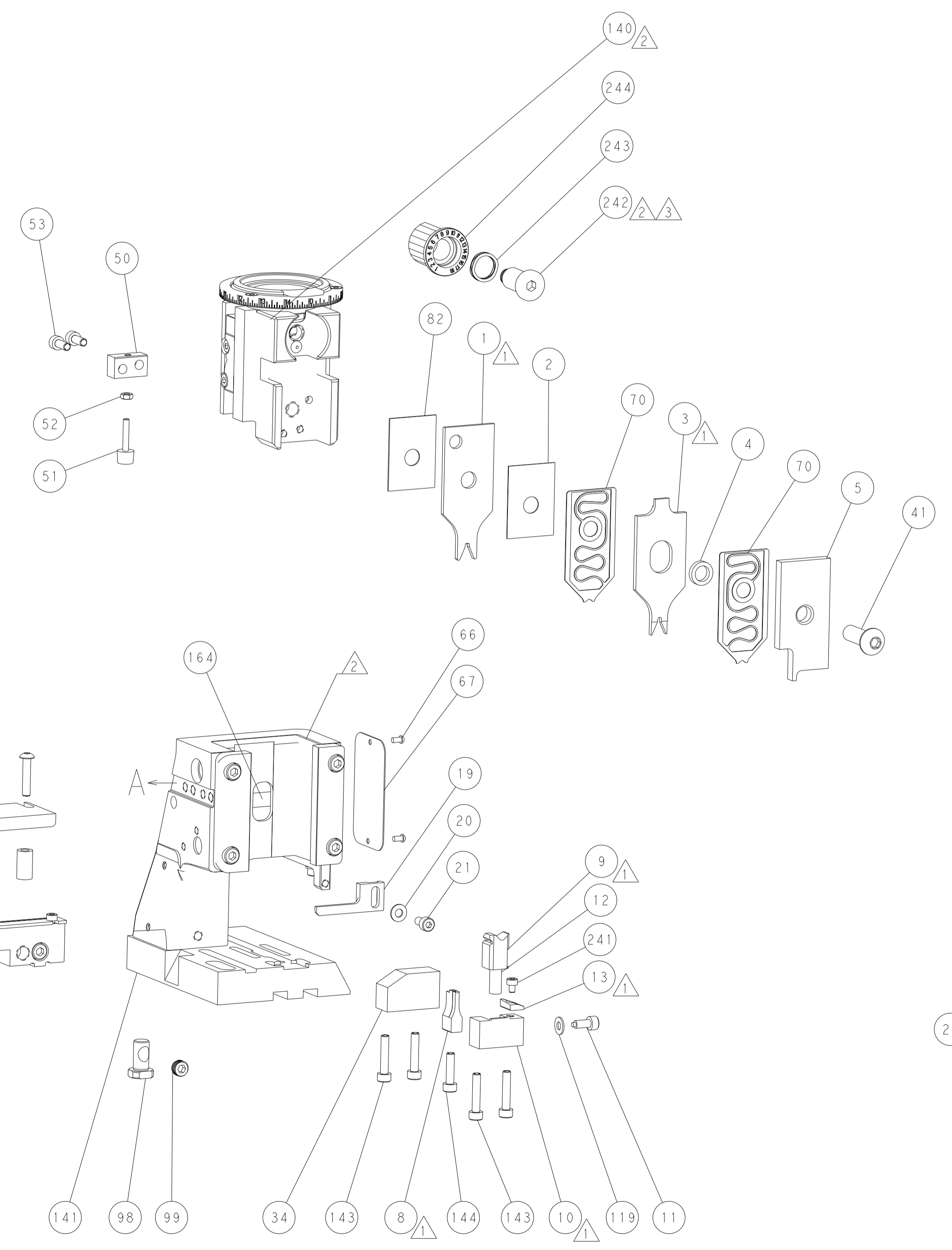
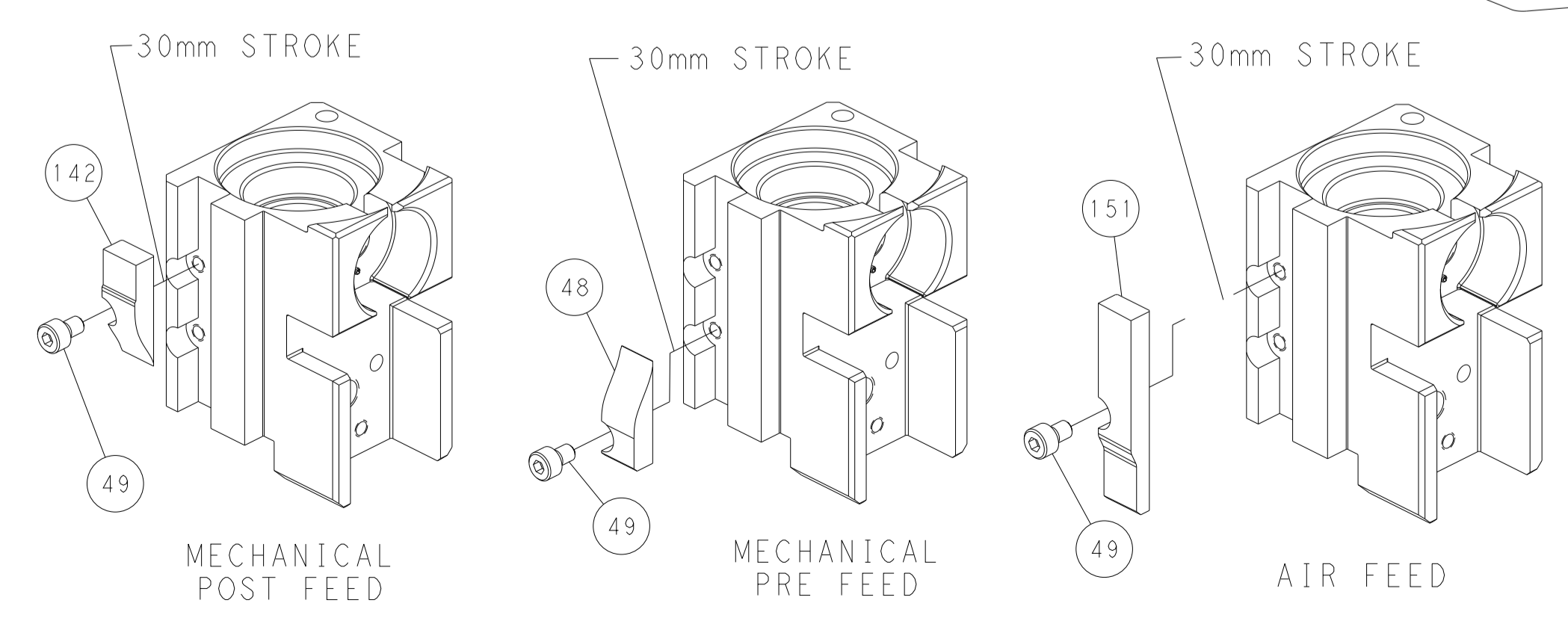


FEED SPRING SETTING POSITION (SHOWN FROM REAR SIDE)

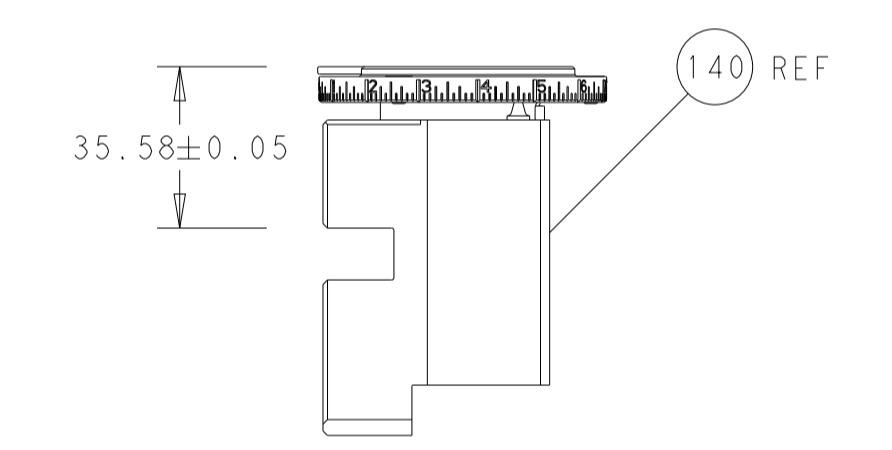


DETAIL A

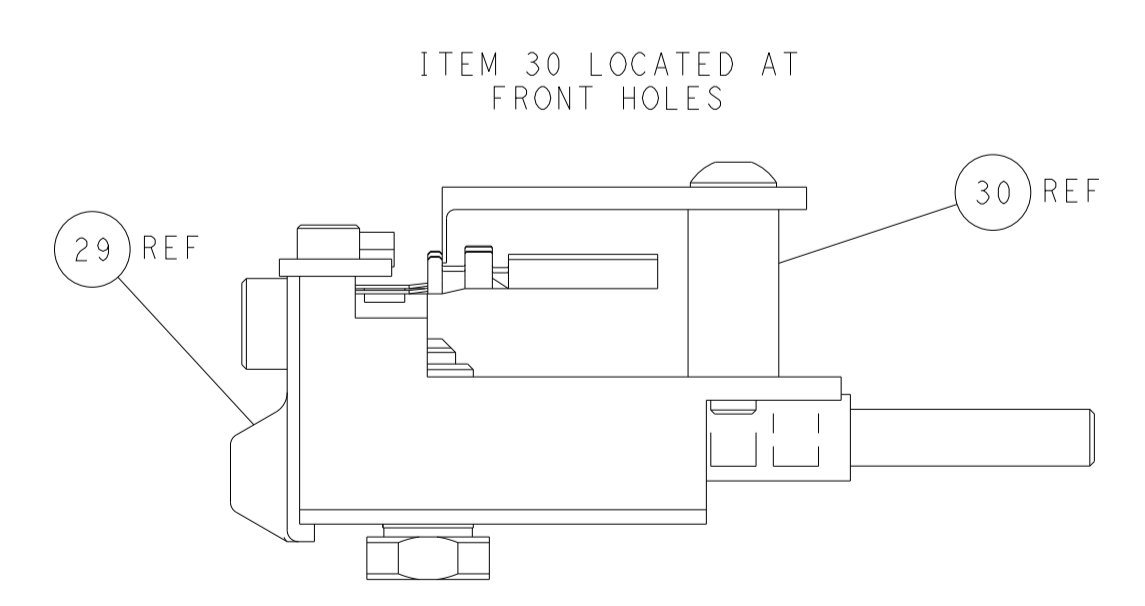
CAM POSITIONS



TERMINAL SUPPORT LOCATION



RAM SET-UP



FEED TRACK POSITION
GUIDE BY INSULATION BARREL

PACIFIC VERSION
 Shown on sheets 3 of 4 & 4 of 4
 (Atlantic version shown on sheets 1 of 4 & 2 of 4)

<small>THIS DRAWING IS A CONTROLLED DOCUMENT FOR TYCO ELECTRONICS CORPORATION. IT IS THE PROPERTY OF COMPANY AND CONTAINS PROPRIETARY INFORMATION. IT IS TO BE USED ONLY FOR THE INTENDED APPLICATION AND SHOULD BE CONTACTED FOR THE LATEST REVISION.</small>		DWN R. KNEPPER 04-Oct-13 CHK G. BAILEY 04-Oct-13 APVD M. CLIFFORD 04-Oct-13	NAME TE Connectivity Harrisburg, PA 17105-3608
DIMENSIONS: mm 	TOLERANCES UNLESS OTHERWISE SPECIFIED: 0 PLC ± 1 PLC ± 2 PLC ± 3 PLC ± 4 PLC ± ANGLES ± FINISH	PRODUCT SPEC APPLICATION SPEC WEIGHT	SIZE CAGE CODE DRAWING NO RESTRICTED TO
MATERIAL		A1 00779 ©=2266102 Customer Accessible Production Drawing	SCALE 1:2 SHEET 4 OF 4 REV E