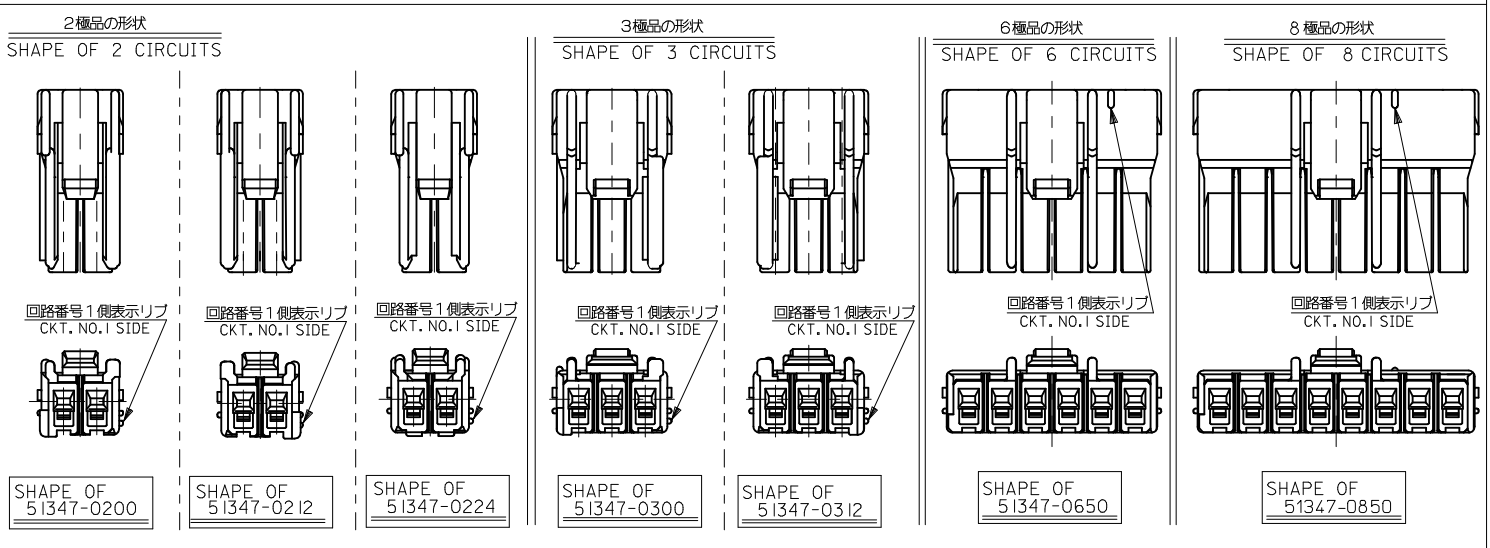


各種形状を下記に参考として示す。
尚、2種及び3種については嵌合間口にて誤嵌合/バリエーションを持たせている為組み合わせには注意して下さい。



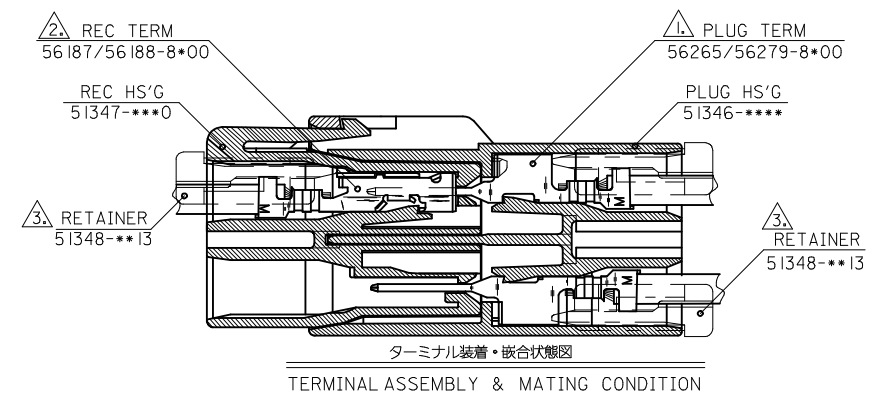
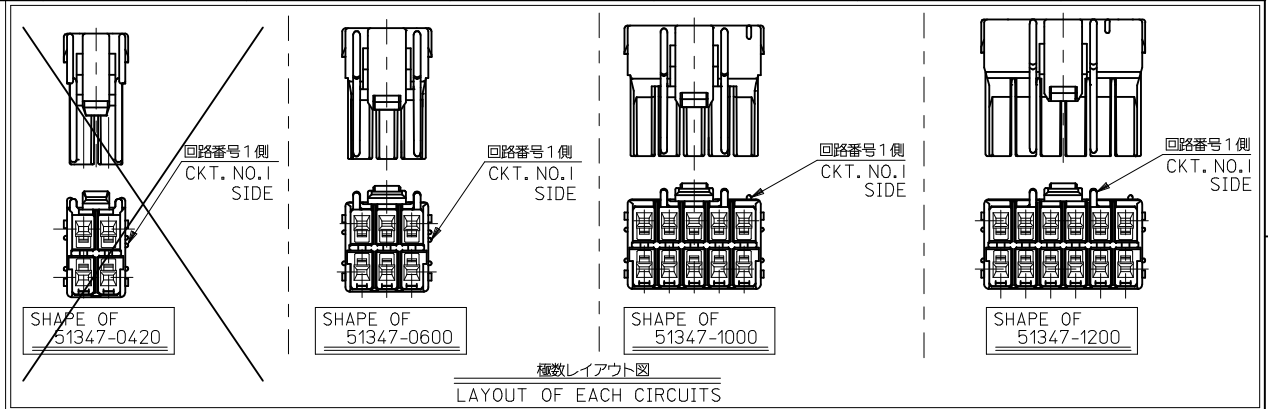
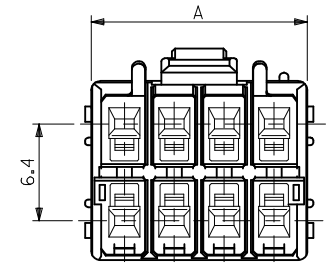
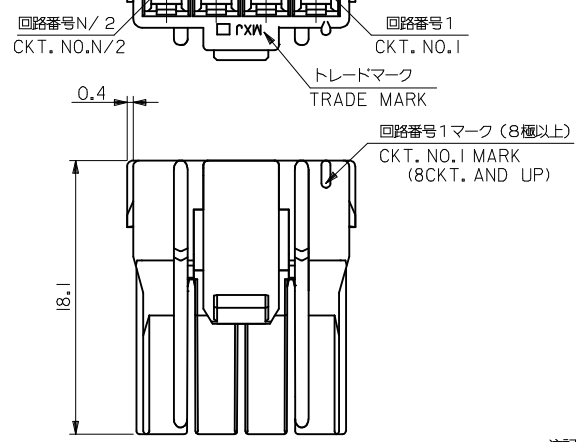
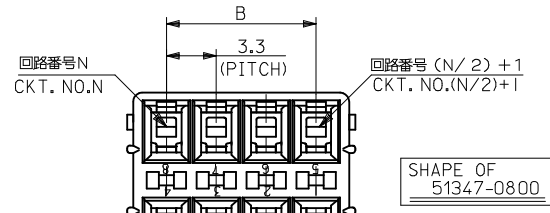
- 注記 NOTES
- △ 適合ターミナル : 56187/56188-8*00, 500989-1*00
APPLICABLE TERMINAL
詳細はSD-56187-002/SD-56188-002/SD-500989-002 参照のこと。
REFERENCE:SD-56187-002/SD-56188-002/SD-500989-002
 - 2. 嵌合相手 : 55883-****
MATE WITH
詳細はSD-55883-**** 参照のこと。
REFERENCE:SD-55883-****
 - △ 適合リテーナー : 51348-***13
APPLICABLE RETAINER
詳細はSD-51348-**** 参照のこと。
REFERENCE:SD-51348-****
 - 4. 材料 : ポリアミド (PA)・UL94V-0
MATERIAL : POLYAMIDE(PA)・UL94V-0
 - 5. ELV及びRoHS 適合品
ELV AND RoHS COMPLIANT

COLOR	B	A	CKT.	MATERIAL NO.	MODEL NO.
NATURAL (IVORY)	23.1	27.5	8	51347-0850	51347-****
NATURAL (IVORY)	16.5	20.9	6	-0650	
NATURAL (IVORY)	9.9	14.3	4	-0400	
RED	6.6	11		-0312	
NATURAL (IVORY)	6.6	11	3	-0300	
BLUE	3.3	7.7		-0224	
RED	3.3	7.7	2	-0212	
NATURAL (IVORY)	3.3	7.7		51347-0200	

MATERIAL 材料	注記参照 SEE NOTES.	REVISED EC NO.: J2010-0432 DRWN: YOSHIKAWA 2009/09/11 CHK'D: ASAKAWA 2009/09/14 APPR: NUKITA 2009/09/15	GENERAL TOLERANCES (UNLESS SPECIFIED)		DIMENSION STYLE MM ONLY		SCALE ---	DESIGN UNITS METRIC	THIRD ANGLE PROJECTION
FINISH 仕上げ	#		10 UNDER	±0.2	DRAWN BY T.ODA	DATE 2004/01/15	TITLE 3.3 W/B CONN REC HSG		
WIRE RANGE 適用電線範囲	#		10 OVER 30 UNDER	±0.25	CHECKED BY S.ICHIKAWA	DATE	MOLEX INCORPORATED		
INS. RANGE 被覆外径	#		30 OVER	±0.3	APPROVED BY Y. ITO	DATE	DOCUMENT NO. SD-51347-001		
			ANGULAR ±3 °	DRAFT WHERE APPLICABLE MUST REMAIN WITHIN DIMENSIONS		MATERIAL NO. SEE CHART		SHEET NO. 1 OF 1	
					SIZE A3		THIS DRAWING CONTAINS INFORMATION THAT IS PROPRIETARY TO MOLEX INCORPORATED AND SHOULD NOT BE USED WITHOUT WRITTEN PERMISSION		

10 9 8 7 6 5 4 3 2 1

本図は2列品を示す
DUAL ROW ASS'Y



注記
NOTES

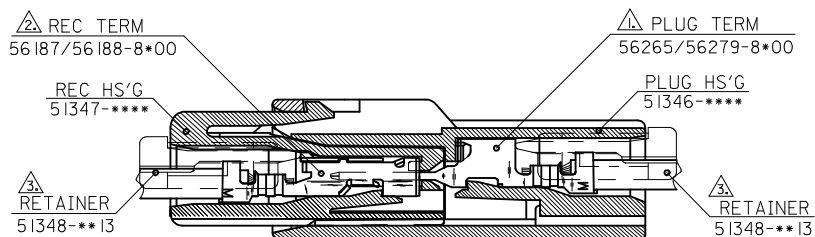
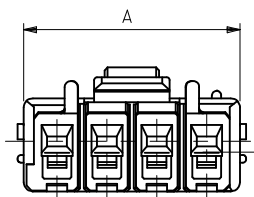
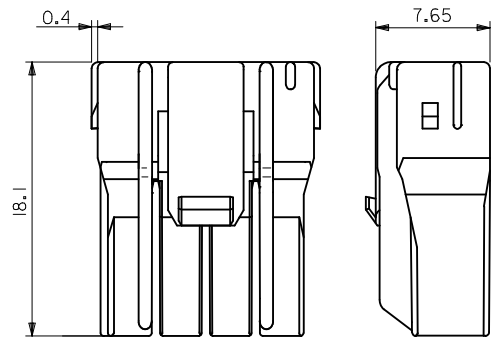
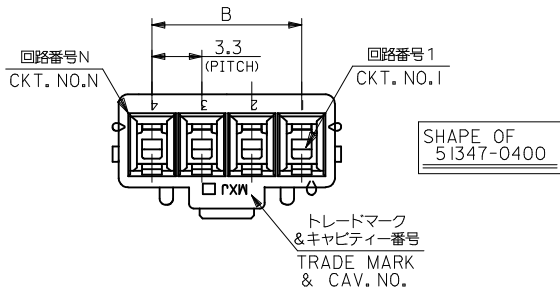
- ① 適合ターミナル: 56187/56188シリーズ
APPLICABLE TERMINAL: 56187/56188 SERIES
- ② 嵌合相手: 51346シリーズ
MATE WITH: 51346 SERIES
- ③ 適合リテーナー: 51348-***1* シリーズ
APPLICABLE RETAINER: 51348-***1* SERIES
- ④ 材質: NYLON66, UL94V-0

51346-1200	51348-0613	NATURAL	16.5	20.9	12	51347-1200	
-1000	-0513	4	13.2	17.6	10	-1000	51347-****
-0800	-0413	4	9.9	14.3	8	-0800	
51346-0600	51348-0313	NATURAL	6.6	11	6	51347-0600	
51346-0420	51348-0213	NATURAL	3.3	7.7	4	51347-0420	
MATE WITH	CONFORMABLE-RETAINER	COLOR	B	A	CKT.	MATERIAL NO.	MODEL NO.

REVISED EC NO.: J2013-0477 2012/10/23 DRWN: ITO CHKD: KASAKAWA 2012/10/24 APPR: Y. ITO 2012/10/24	DESCRIPTION	GENERAL TOLERANCES (UNLESS SPECIFIED)		DIMENSION STYLE MM ONLY		SCALE ---		DESIGN UNITS METRIC		THIRD ANGLE PROJECTION		
		10 UNDER	±0.2	DRAWN BY	DATE	TITLE 3.3 W/W CONN REC HS'G						
		10 OVER 30 UNDER	±0.25	T. ODA	'04/01/15							
		30 OVER	±0.3	CHECKED BY	DATE							
		ANGULAR	±3 °	APPROVED BY	DATE	Y. ITO		DOCUMENT NO.		SHEET NO.		
		DRAFT WHERE APPLICABLE MUST REMAIN WITHIN DIMENSIONS		MATERIAL NO.		SEE TABLE		SD-51347-002		1 OF 2		
				SIZE A3		THIS DRAWING CONTAINS INFORMATION THAT IS PROPRIETARY TO MOLEX INCORPORATED AND SHOULD NOT BE USED WITHOUT WRITTEN PERMISSION						

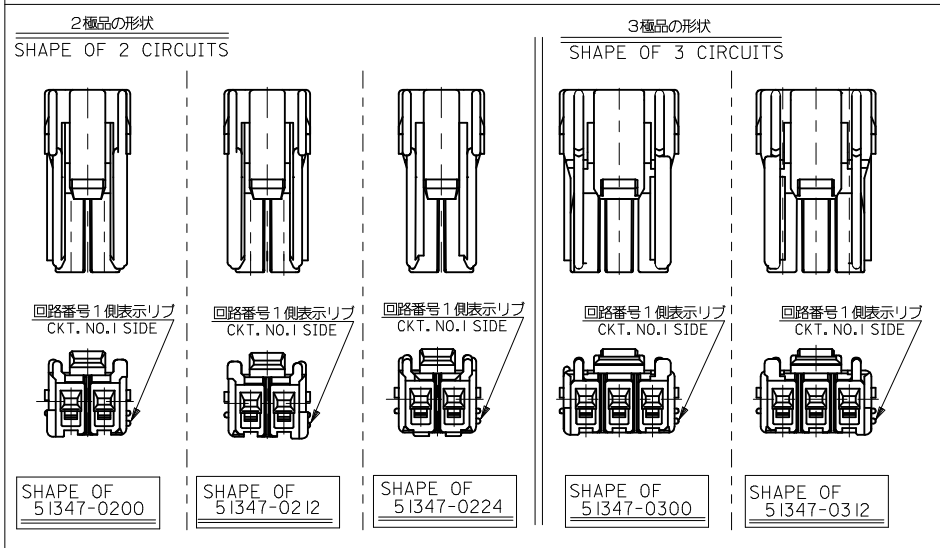
9 8 7 6 5 4 3 2

本図は1列品を示す
SINGLE ROW ASS'Y



ターミナル装着・嵌合状態図
TERMINAL ASSEMBLY & MATING CONDITION

各種形状を下記に参考として示す。
尚、2種及び3種については嵌合間口にて誤嵌合/パリエーションを持たせている為組み合わせには注意して下さい。



- 注記 NOTES
- △ 適合ターミナル : 56265/56279-8*00
APPLICABLE TERMINAL
詳細はSD-56265-001/SD-56279-001参照のこと。
REFERENCE:SD-56265-001/SD-56279-001
 - △ 適合ターミナル : 56187/56188-8*00
APPLICABLE TERMINAL
詳細はSD-56187-002/SD-56188-002参照のこと。
REFERENCE:SD-56187-002/SD-56188-002
 - △ 適合リテーナ : 51348-***13
APPLICABLE RETAINER
詳細はSD-51348-****参照のこと。
REFERENCE:SD-51348-****
- 4, 材料 MATERIAL : NYLON66, UL94V-0

51346-0400	51348-0413	NATURAL	9.9	14.3	4	51347-0400	51347-****
-0312	-0313	RED	6.6	11	3	-0312	
-0300	-0313	NATURAL	6.6	11		-0300	
-0224	-0213	BLUE	3.3	7.7		-0224	
-0212	-0213	RED	3.3	7.7	2	-0212	
51346-0200	51348-0213	NATURAL	3.3	7.7		51347-0200	
MATE WITH	CONFORMABLE-RETAINER	COLOR	B	A	CKT.	MATERIAL NO.	MODEL NO.

REVISED EC NO: J2013-0477 DRWN: ITO CHKD: KASAKAWA APPR: Y. ITO 2012/10/23 2012/10/24 2012/10/24	GENERAL TOLERANCES (UNLESS SPECIFIED)		DIMENSION STYLE MM ONLY		SCALE ---		DESIGN UNITS METRIC		THIRD ANGLE PROJECTION				
	10 UNDER	±0.2	DRAWN BY	DATE	TITLE								
	10 OVER 30 UNDER	±0.25	T. ODA	'04/01/15	3.3W/W CONN REC HS'G								
	30 OVER	±0.3	CHECKED BY	DATE									
	ANGULAR ±3 °		APPROVED BY	DATE							MATERIAL NO.		DOCUMENT NO.
DRAFT WHERE APPLICABLE MUST REMAIN WITHIN DIMENSIONS		SIZE A3		SEE TABLE						SD-51347-002		2 OF 2	
THIS DRAWING CONTAINS INFORMATION THAT IS PROPRIETARY TO MOLEX INCORPORATED AND SHOULD NOT BE USED WITHOUT WRITTEN PERMISSION													