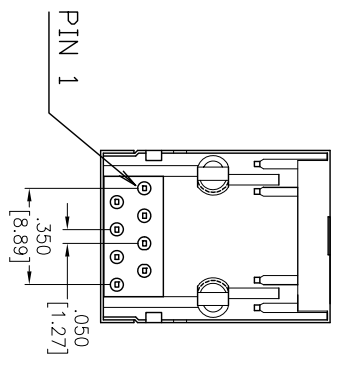
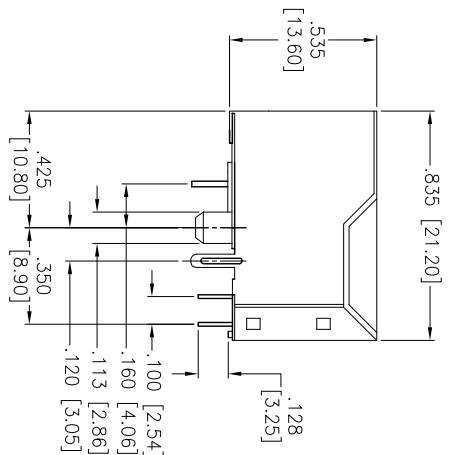
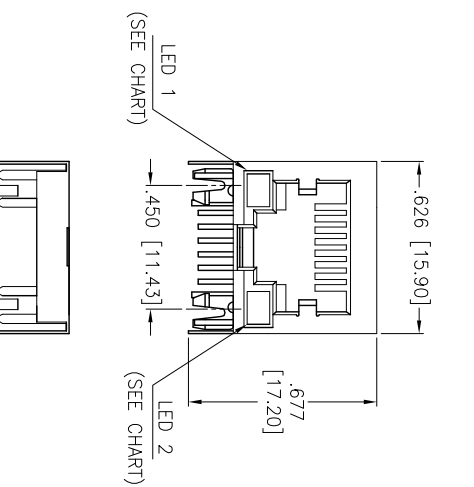
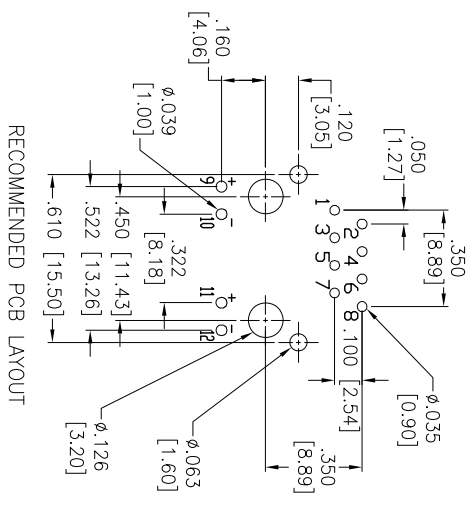


Rev	AWO #	Description	Date	Appr
-		RELEASED	9/3/15	

APPROVED: _____
 DATE: _____ TITLE: _____



Part Number	LED 1 Color	LED 2 Color
MTJ-88GX1-FSD-LD	Green	Green
MTJ-88GX1-FSD-LG	Yellow	Green
MTJ-88GX1-FSD-LH	Green	Yellow
MTJ-88GX1-FSD-LP	Yellow/Green	Yellow/Green
MTJ-88GX1-FSD-LV	Green	Yellow/Green
MTJ-88GX1-FSD-L16	Green/Yellow	Green/Yellow

SPECIFICATIONS:
 Material: Insulator: PBT, Glass reinforced rated UL 94V-0
 Insulator color: Black
 Contacts: Phosphor Bronze
 Shield: Copper Alloy, Nickel plated
 Contacts Plating:
 Flat contact
 Gold over Nickel underplate on contact area,
 Tin over Copper underplate on solder tails
 Round contact
 Electrical:
 Operating voltage: 150 VAC max
 Current rating: 1.5 Amps max
 Contact resistance: 20 mohms max
 Insulation resistance: 500 Mohms min @ 500 VDC
 Dielectric withstanding voltage: 1500 VAC for 1 minute
 Temperature Rating:
 Operating temperature: -40°C to +85°C
 Environmental:
 Lead free, RoHS compliant.



ADAM TECH
 909 Railway Avenue, Union, NJ 07083
 Phone: 908-687-5000 Fax: 908-687-5710
 MODULAR JACK GANGED, 1 PORT, 8P8C
 W/LEDs

UNLESS OTHERWISE SPECIFIED ALL DIMENSIONS ARE INCHES [MM]	
TOLERANCES: EXCEPT AS NOTED	
INCHES	HOLES
.X ± .10	ØX ± .10
.XX ± .020	ØXX ± .015
.XXX ± .015	ØXXX ± .010
APPROVALS	DATE
DRAWN AY	9/3/15
CHECKED NC	9/3/15
APPROVED	

REF: S00063T	SCALE: NTS	SHEET 1 OF 1
SIZE X	PART NO. MTJ-88GX1-FSD-LX	REV. -