

7-353908-4 ✓ ACTIVE

AMP Mini CT

TE Internal #: 7-353908-4

Housing, Receptacle, Wire-to-Wire / Wire-to-Board / Wire-to-Panel,
14 Position, .059 in [1.5 mm] Centerline, Crimp, 1 Row, Blue, AMP
Mini CT

[View on TE.com >](#)



[Connectors](#) > [PCB Connectors](#) > [Wire-to-Board Connectors](#) > [Wire-to-Board Connector Assemblies & Housings](#) >

[Mini Common Termination \(CT\) Housings](#)



Connector Product Type: **Housing**

Connector & Housing Type: **Receptacle**

Connector System: **Wire-to-Board, Wire-to-Panel, Wire-to-Wire**

Number of Positions: **14**

Centerline (Pitch): **1.5 mm [.059 in]**

[All Mini Common Termination \(CT\) Housings \(38\)](#)

Features

Product Type Features

| | |
|-----------------------------------|--|
| Connector Product Type | Housing |
| Connector & Housing Type | Receptacle |
| Connector System | Wire-to-Board, Wire-to-Panel, Wire-to-Wire |
| Sealable | No |
| Connector & Contact Terminates To | Wire & Cable |

Configuration Features

| | |
|---------------------|----|
| Number of Positions | 14 |
| Number of Rows | 1 |

Electrical Characteristics

| | |
|-----------------------|--------|
| Insulation Resistance | 500 MΩ |
| Operating Voltage | 50 VAC |

Body Features

| | |
|-----------------------|------|
| Primary Product Color | Blue |
|-----------------------|------|

Contact Features

| | |
|----------------|--------|
| Contact Layout | Inline |
| Contact Type | Socket |



| | |
|------------------------------|-----|
| Contact Current Rating (Max) | 3 A |
|------------------------------|-----|

Termination Features

| | |
|------------------------------------|-------|
| Termination Method to Wire & Cable | Crimp |
|------------------------------------|-------|

Mechanical Attachment

| | |
|---------------|---------|
| Strain Relief | Without |
|---------------|---------|

| | |
|---------------------|---------|
| Panel Mount Feature | Without |
|---------------------|---------|

| | |
|---------------------|---------|
| PCB Mount Retention | Without |
|---------------------|---------|

| | |
|-----------------------|--------|
| Mating Retention Type | Detent |
|-----------------------|--------|

| | |
|------------------|------|
| Mating Retention | With |
|------------------|------|

| | |
|-------------------------|----------------------------|
| Connector Mounting Type | Cable Mount (Free-Hanging) |
|-------------------------|----------------------------|

Housing Features

| | |
|-----------------------------|------------------|
| Housing Entry Configuration | Both Ends Closed |
|-----------------------------|------------------|

| | |
|------------------|----------|
| Housing Material | Nylon 66 |
|------------------|----------|

| | |
|--------------------|------------------|
| Centerline (Pitch) | 1.5 mm [.059 in] |
|--------------------|------------------|

Dimensions

| | |
|------------------|-------------------|
| Connector Length | 22.5 mm [.886 in] |
|------------------|-------------------|

| | |
|------------------|----------------|
| Connector Height | 6 mm [.236 in] |
|------------------|----------------|

| | |
|-----------------|------------------|
| Connector Width | 3.6 mm [.141 in] |
|-----------------|------------------|

| | |
|--------------------------------------|--------------------------------|
| Compatible Insulation Diameter Range | .85 – 1.05 mm [.033 – .041 in] |
|--------------------------------------|--------------------------------|

| | |
|-----------|---------------------------|
| Wire Size | .05 – .22 mm ² |
|-----------|---------------------------|

Usage Conditions

| | |
|-----------------------------|-----------------------------|
| Operating Temperature Range | -30 – 105 °C [-22 – 221 °F] |
|-----------------------------|-----------------------------|

Operation/Application

| | |
|---------------------|----------------|
| Circuit Application | Power & Signal |
|---------------------|----------------|

Industry Standards

| | |
|------------------|-------------------------------|
| Glow Wire Rating | Standard Part - Not Glow Wire |
|------------------|-------------------------------|

| | |
|-----------------|---------|
| Agency/Standard | CSA, UL |
|-----------------|---------|

| | |
|------------------------|----------|
| UL Flammability Rating | UL 94V-0 |
|------------------------|----------|

Packaging Features

| | |
|--------------------|------|
| Packaging Quantity | 1000 |
|--------------------|------|

| | |
|------------------|-----|
| Packaging Method | Box |
|------------------|-----|

Product Compliance

[For compliance documentation, visit the product page on TE.com>](#)

| | |
|---|--|
| EU RoHS Directive 2011/65/EU | Compliant |
| EU ELV Directive 2000/53/EC | Compliant |
| China RoHS 2 Directive MIIT Order No 32, 2016 | No Restricted Materials Above Threshold |
| EU REACH Regulation (EC) No. 1907/2006 | Current ECHA Candidate List: JUNE 2023 (235) Candidate List Declared Against: JAN 2023 (233) Does not contain REACH SVHC |
| Halogen Content | Low Halogen - Br, Cl, F, I < 900 ppm per homogenous material. Also BFR/CFR/PVC Free |
| Solder Process Capability | Not applicable for solder process capability |

Product Compliance Disclaimer

This information is provided based on reasonable inquiry of our suppliers and represents our current actual knowledge based on the information they provided. This information is subject to change. The part numbers that TE has identified as EU RoHS compliant have a maximum concentration of 0.1% by weight in homogenous materials for lead, hexavalent chromium, mercury, PBB, PBDE, DBP, BBP, DEHP, DIBP, and 0.01% for cadmium, or qualify for an exemption to these limits as defined in the Annexes of Directive 2011/65/EU (RoHS2). Finished electrical and electronic equipment products will be CE marked as required by Directive 2011/65/EU. Components may not be CE marked. Additionally, the part numbers that TE has identified as EU ELV compliant have a maximum concentration of 0.1% by weight in homogenous materials for lead, hexavalent chromium, and mercury, and 0.01% for cadmium, or qualify for an exemption to these limits as defined in the Annexes of Directive 2000/53/EC (ELV). Regarding the REACH Regulation, the information TE provides on SVHC in articles for this part number is based on the latest European Chemicals Agency (ECHA) 'Guidance on requirements for substances in articles' posted at this URL: <https://echa.europa.eu/guidance-documents/guidance-on-reach>

Compatible Parts

| | | | |
|--|--|---|---|
|  <p>TE Part # CAT-AM7053-C7671 Mini Common Termination Contacts</p> |  <p>TE Part # 1-292206-4 MINI CT SGL DIP H 14P NAT</p> |  <p>TE Part # 1-292207-4 MINI CT SGL DIP V 14P NAT</p> |  <p>TE Part # 1-292215-4 MINI CT SGL RELAY 14P NAT</p> |
|--|--|---|---|



TE Part # 1-292230-4
1.5 MINI CT SGL V SMT W/BOSS 1



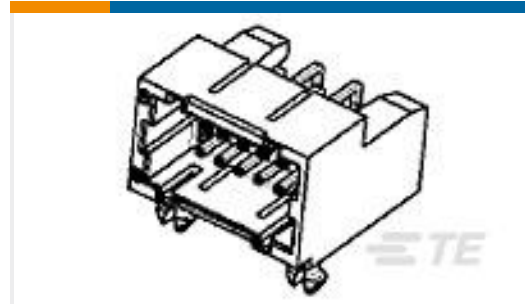
TE Part # 1-292227-4
1.5 MINI CT SGL H SMT W BOSS 1



TE Part # 1-292228-4
1.5 MINI CT SGL H SMT W/O BOSS



TE Part # 1-292231-4
1.5 MINI CT SGL V SMT W/O BOSS

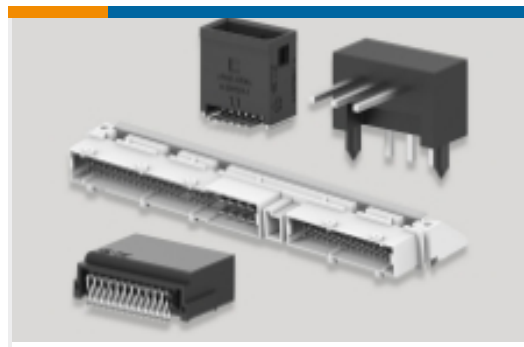


TE Part # 7-292262-8
DBL ROW (H) DIP TYPE WITH BOAR

Also in the Series | AMP Mini CT



PCB Connector Mounting(10)



PCB Headers & Receptacles(332)



Wire-to-Board Connector Assemblies & Housings(172)



Wire-to-Board Connector Contacts(4)

Customers Also Bought



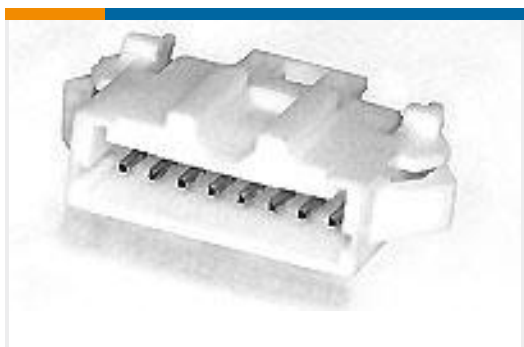
TE Part #353908-8
Mini Common Termination (CT) Housings



TE Part #6-173977-4
AMP COMMON TERMINATION HOUSINGS



TE Part #353293-6
MINI CT MT REC ASSY 6P GRAY



TE Part #292215-8
MINI CT SGL RELAY 8P NAT



TE Part #292254-2
CT RELAY HDR ASSY 2P NAT



Documents

Product Drawings

[CT REC HSG 14P CRIMP TYPE BLU](#)

English

CAD Files

Customer View Model

[ENG_CVM_CVM_7-353908-4_P.2d_dxf.zip](#)

English

[3D PDF](#)

3D

Customer View Model

[ENG_CVM_CVM_7-353908-4_P.3d_igs.zip](#)

English

Customer View Model

[ENG_CVM_CVM_7-353908-4_P.3d_stp.zip](#)

English

By downloading the CAD file I accept and agree to the [Terms and Conditions](#) of use.

Product Specifications

[Application Specification](#)

English

Product Environmental Compliance

[Product Compliance](#)

English

[Product Compliance](#)

English

Instruction Sheets

[Instruction Sheet for Mini CT DC Drawer Connector SF Type](#)

Japanese

[Instruction Sheet \(non U.S.\)](#)

English

[1.5mm Pitch Mini CT DC Drawer Connector SF Type](#)

Japanese

[Instruction Sheet \(non U.S.\)](#)

Japanese

[1.5mm Pitch Mini CT Hybrid Drawer Connector SF Type](#)

Japanese

[Instruction Sheet \(non U.S.\)](#)

Japanese

[1.5mm Pitch Mini CT Hybrid Drawer Connector Slim Type](#)

Japanese



[Instruction Sheet \(non U.S.\)](#)

Japanese