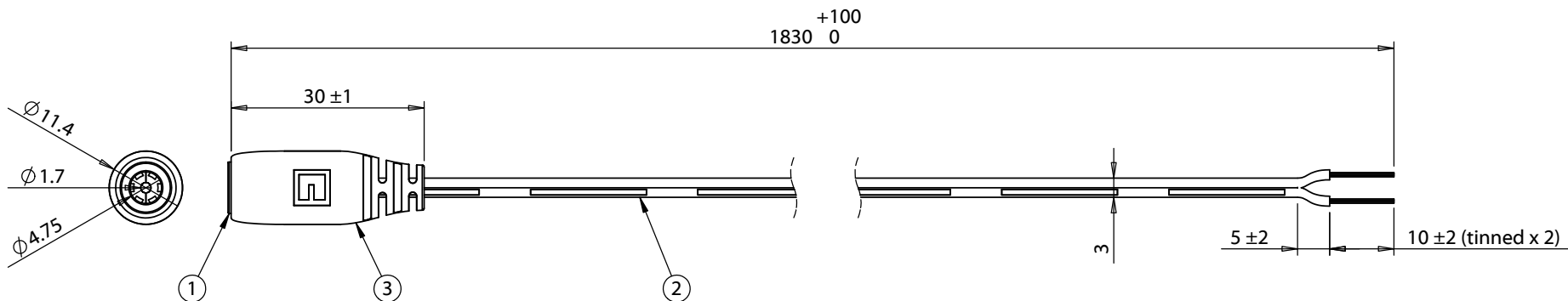


| ITEM NO. | PART NUMBER | DESCRIPTION   | QTY. | COMPONENT NOTES |
|----------|-------------|---|------|-----------------|
| 1        | 50-00333    | Connector, dc jack, 4.75x1.7xL17.5 mm, molding style                  | 1    |                 |
| 2        | 30-00405    | Wire, 2C TS, 24 AWG, UL2468, 300V, 80C, 3.0 mm, VW-1, PVC, 87A, white | 1    |                 |
| 3        | 24-00004    | Overmold, PVC, white  | 1    |                 |



**Notes:**  
 Cables individually tied and bundled in groups of 10  
 Functionally equivalent components may be substituted  
 4 A, 12 Vdc

| Wiring Diagram |                   |
|----------------|-------------------|
| 50-00333       | wire color        |
| center         | white with stripe |
| sleeve         | white             |

|           |            |                 |  |   |   |
|-----------|------------|-----------------|--|---|---|
| Revision: | Date:      | Description:    | Prepared:  | Notes:  | <h1>TENSILITY</h1><br>tel 1.541.323.3228 800 877.670.7118<br>fax 1.541.323.4202 web tensility.com |
| A         | 12/22/2015 | Initial release | GL<br>2016.05.19<br>09:46:18 -07'00'   |   |   |
|           |            |                 | Verified:  | Function test: no open, no short circuit, no intermittent   | Size: Part number:<br>A 10-01270  |
|           |            |                 | LA<br>Digitally signed by LA,<br>DN: cn=LA, o=Tensility,<br>ou=Engineering,<br>email=LA@20160519.17:28:00-07'00',<br>Date: 2016.05.19 17:28:00 -07'00' | Description:<br>Cable, 1830 mm, 4.75x1.7 mm 50-00333 dc jack to stripped tinned, 24 AWG, 30-00405 wire, white |   |
|           |            |                 | Dimensions are in millimeters.<br>Tolerances:<br>X: ± 0.5 mm<br>X.X: ± 0.3 mm<br>X.XX: ± 0.05 mm   |   | Scale: 1:2  |
|           |            |                 |  |   | Sheet 1 of 1  |