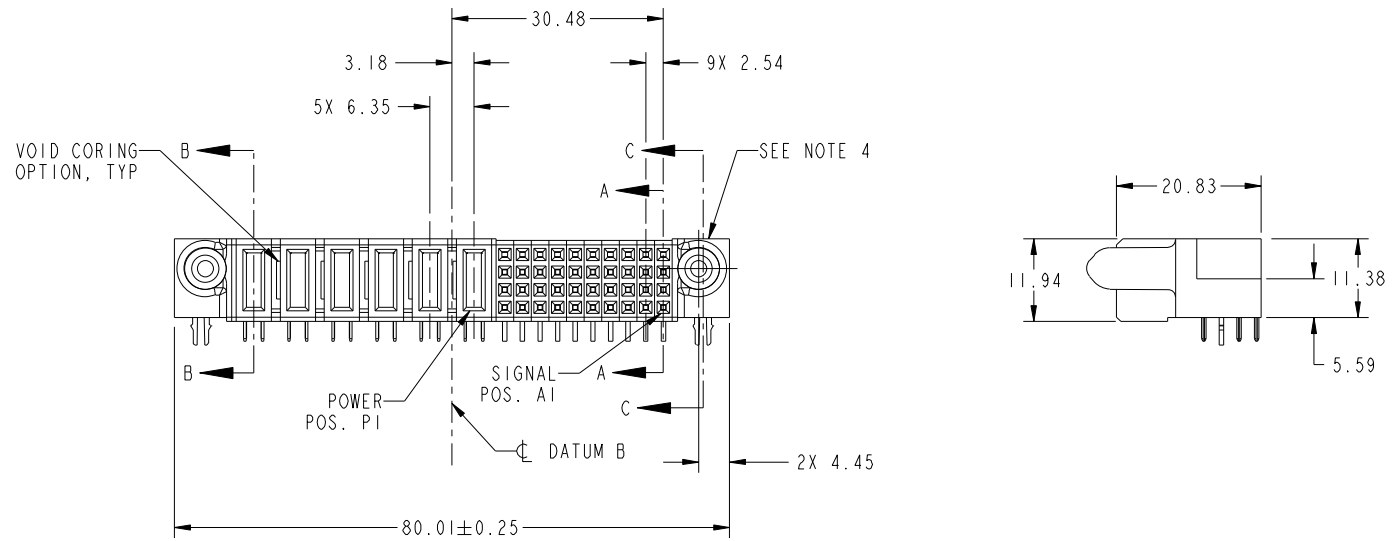
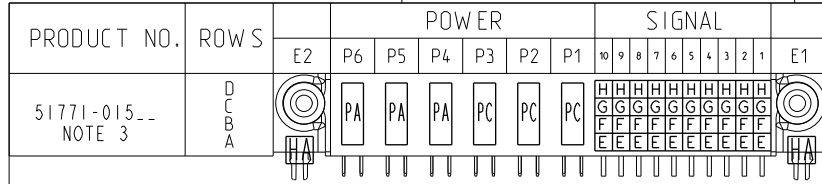


Tous droits strictement réservés. Reproduction ou communication a des tiers interdite sous quelque forme que ce soit sans autorisation écrite du propriétaire. Propriété de c FCI. Droits de reproduction FCI.



All rights strictly reserved. Reproduction or issue to third parties in any form whatever is not permitted without written authority from the proprietor. Property of FCI. Copyright FCI.



CODE	DIM "M" MATING LENGTH	CONTACT TYPE
PA	[1.07]	POWER
H	[N/A]	SIGNAL
G	[N/A]	SIGNAL
F	[N/A]	SIGNAL
E	[N/A]	SIGNAL
HA	[N/A]	HOLD-DOWN
PC	[2.34]	POWER

mat'l code				SEE NOTE 2		tolerances unless otherwise specified		CUSTOMER	
ltr	ecn no.	dr	date	linear	0.X ± 0.3	projection		COPY	
A	DG07-0445	SH	11/06/07	angles	0.XX ± 0.13	MIM		title	
					0.XXX ± 0.051	scale		product family	
				dr	0° ± 2°	1:1		PwrBlade	
				enr	Sincere He 11/01/07			code	
				chr	Sincere He 11/01/07			213	
				appd	Gary Hsieh 11/01/07			sheet	
					Joseph Hsia 11/01/07			1 of 4	
sheet index	revision sheet	A 1	A 2	A 3	A 4				

www.fciconnect.com		title	
40S + 6P		R/A SOLDER RECEPTACLE	
product family	PwrBlade	code	213
size	A	dwg no	51771-015
cage code		22526	

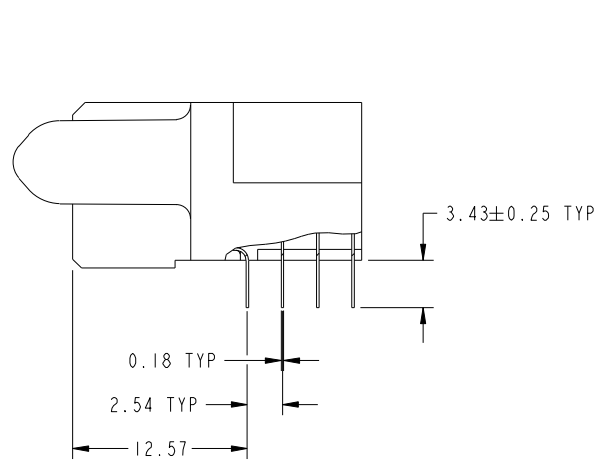
Pro/E

Tous droits strictement reserves. Reproduction ou communication a des tiers interdite sous quelque forme que ce soit sans autorisation ecrite du proprietaire. Propriete de c FCI. Droits de reproduction FCI.

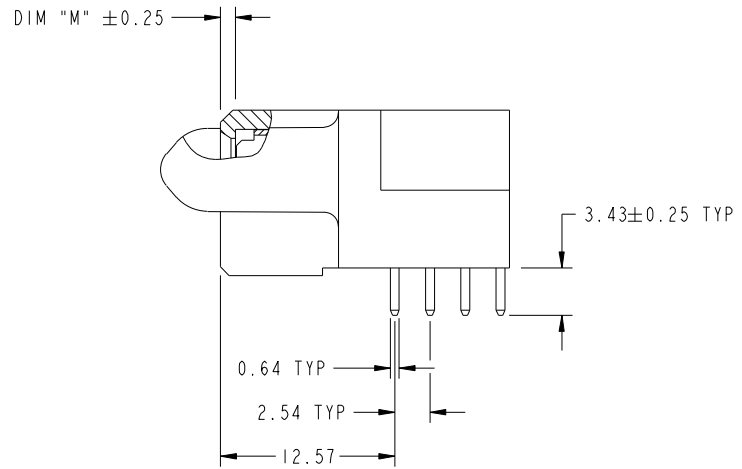


All rights strictly reserved. Reproduction or issue to third parties in any form whatever is not permitted without written authority from the proprietor. Property of FCI. Copyright FCI.

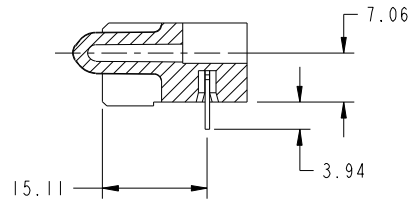
PRODUCT NUMBER
51771-015--
NOTE 3



BROKEN-OUT SECTION A-A
SCALE 2:1



BROKEN-OUT SECTION B-B
SCALE 2:1



SECTION C-C

mat'l code		SEE NOTE 2		tolerances unless otherwise specified		CUSTOMER		 www.fciconnect.com	
ltr	ecn no.	dr	date	linear	0.X ± 0.3	COPY		title	
A					0.XX ± 0.13	projection		40S + 6P R/A SOLDER RECEPTACLE	
				angles	0.XXX ± 0.051			product family	
				dr	0° ± 2°			PwrBlade	
				enr	Sincere He 11/01/07	scale		code	
				chr	Sincere He 11/01/07	1:1		213	
				appd	Gary Hsieh 11/01/07	size		sheet	
					Joseph Hsia 11/01/07	A		2 of 4	
sheet index		revision sheet						cage code	
								22526	

Pro/E

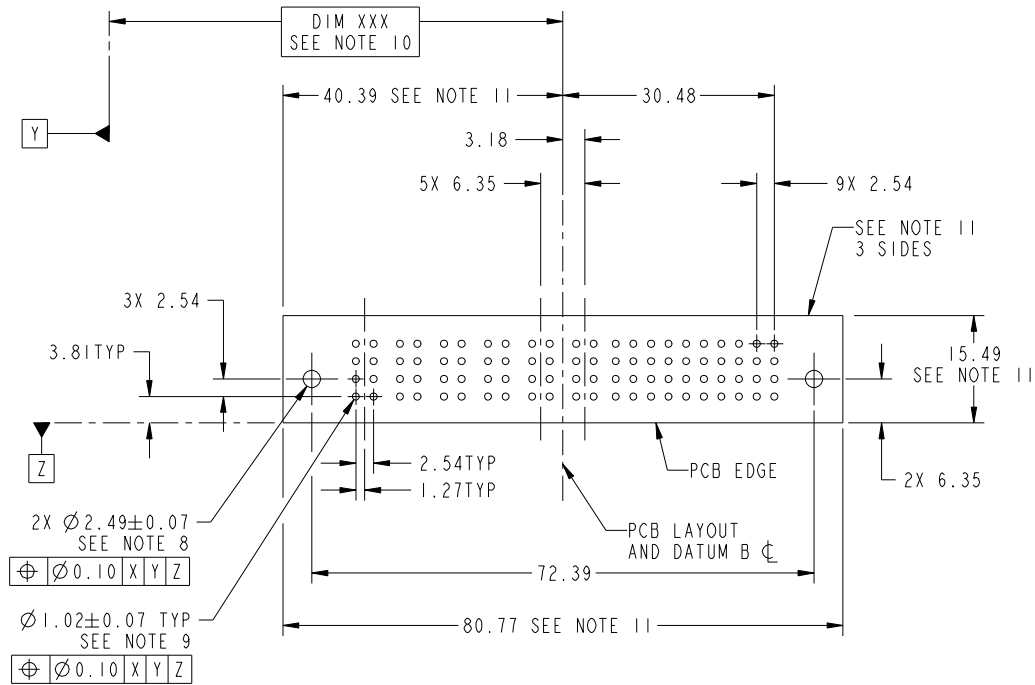
cage code
22526

Tous droits strictement reserves. Reproduction ou communication a des tiers interdite sous quelque forme que ce soit sans autorisation écrite du propriétaire. Propriete de c FCI. Droits de reproduction FCI.



All rights strictly reserved. Reproduction or issue to third parties in any form whatever is not permitted without written authority from the proprietor. Property of FCI. Copyright FCI.

PRODUCT NUMBER
51771-015--
NOTE 3



RECOMMENDED PCB LAYOUT

mat'l code				SEE NOTE 2		tolerances unless otherwise specified		CUSTOMER		FCI	
ltr	ecn no.	dr	date	linear	0.X ±0.3	COPY		projection		www.fciconnect.com	
A					0.XX ±0.13	MIM		title		40S + 6P	
				angles	0.XXX ±0.051	←		R/A SOLDER RECEPTACLE		product family PwrBlade code 213	
				dr	Sincere He 11/01/07	scale		size		dwg no 51771-015 sheet 3 of 4	
				enr	Sincere He 11/01/07	1:1		A		cage code 22526	
				chr	Gary Hsieh 11/01/07						
				appd	Joseph Hsia 11/01/07						
sheet index		revision sheet									

Pro/E

cage code 22526

Tous droits strictement reserves. Reproduction ou communication a des tiers interdite sous quelque forme que ce soit sans autorisation écrite du propriétaire. Propriete de c FCI. Droits de reproduction FCI.

All rights strictly reserved. Reproduction or issue to third parties in any form whatever is not permitted without written authority from the proprietor. Property of FCI. Copyright FCI.



PRODUCT NUMBER
51771-015--
NOTE 3

NOTES:

1. DIMENSIONS AND TOLERANCES ARE IN ACCORDANCE WITH ASME Y14.5M, 1994 UNLESS OTHERWISE SPECIFIED.

CONNECTOR NOTES:

- 2. HOUSING MATERIAL: UL 94 V-0 GLASS FILLED
HIGH-TEMP THERMOPLASTIC
POWER CONTACT MATERIAL: COPPER ALLOY
SIGNAL PIN MATERIAL: COPPER ALLOY
 - 3. PLATING:
51771-015, 51771-015LF PLATING SPEC. WAS SHOWN IN THE PRINT OF 10064183.
 - 4. MANUFACTURER'S NAME, P/N, AND DATE CODE TO APPEAR ON THIS SURFACE.
 - 5. PRODUCT SPECIFICATION GS-12-149.
APPLICATION SPECIFICATION BUS-20-067.
 - 6. PACKAGED IN TRAYS.
- PCB NOTES:
- 7. ALL HOLE DIAMETERS ARE FINISHED HOLE SIZE.
 - 8. MOUNTING HOLES, WHERE APPLICABLE, ARE UNPLATED.
 - 9. $\varnothing 1.151 \pm 0.025$ DRILLED HOLES PLATED WITH
0.008 MIN SnPb OR Sn OVER 0.03
TO 0.08 Cu PLATING TO ACHIEVE
 $\varnothing 1.02 \pm .07$ HOLE.
 - 10. "DIM XXX" TO BE DETERMINED BY THE CUSTOMER.
 - 11. CONNECTOR KEEP-OUT ZONE.

mat'l code				SEE NOTE 2		tolerances unless otherwise specified		CUSTOMER		FCI www.fciconnect.com	
ltr	ecr no.	dr	date	linear	0.X ± 0.3		COPY		projection	title	
A					0.XX ± 0.13		MIM			40S + 6P R/A SOLDER RECEPTACLE	
					0.XXX ± 0.051		← MIM →			product family PwrBlade code	
				angles	0° ± 2°		scale		size		
				dr	Sincere He	11/01/07	1:1		dwg no		
				enr	Sincere He	11/01/07	A		51771-015		
				chr	Gary Hsieh	11/01/07			sheet		
				appd	Joseph Hsia	11/01/07			4 of 4		
sheet index		revision sheet									

cage code 22526

Pro/E