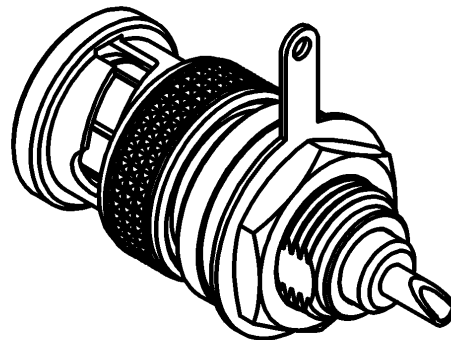
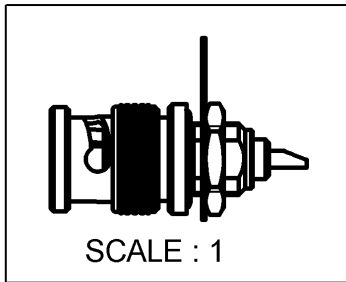
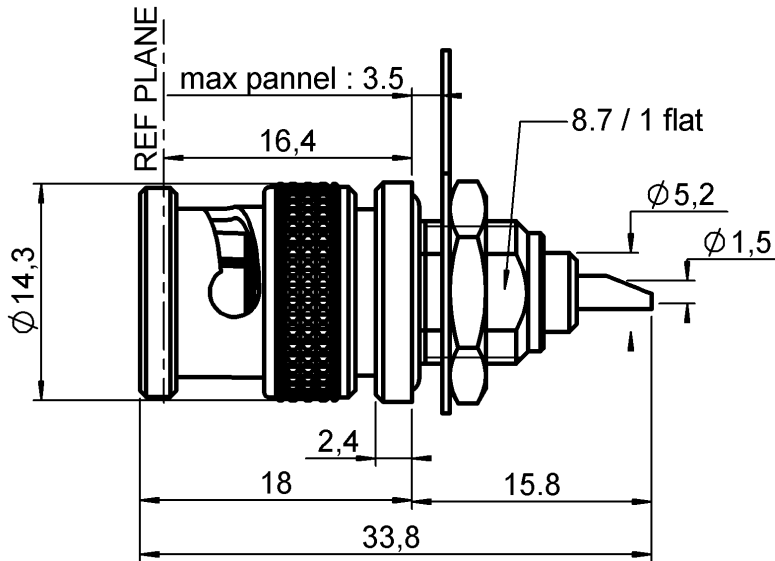


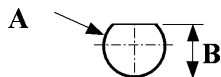
BULKHEAD PLUG RECEPTACLE PANEL SEAL
FRONT MOUNT. - WITH SOLDER POT CONT+ TAG

R141.580.000

Series : BNC



PANEL CUT OUT



mm		
	Maxi	mini
A	9.75	9.65
B	4.04	3.96

All dimensions are in mm.



COMPONENTS	MATERIALS	PLATING (µm)
BODY	BRASS	NICKEL 2
CENTER CONTACT	BRASS	GOLD 0.5 OVER NICKEL 2
OUTER CONTACT	-	-
INSULATOR	PTFE	-
GASKET	SILICONE RUBBER	-
OTHERS PARTS	BRASS	NICKEL 2
-	-	-
-	-	-

Issue : 0628 C

In the effort to improve our products, we reserve the right to make changes judged to be necessary.



**BULKHEAD PLUG RECEPTACLE PANEL SEAL
FRONT MOUNT. - WITH SOLDER POT CONT+ TAG**

R141.580.000

Series : BNC

PACKAGING

Standard	Unit	Other
100	'W' option	Contact us

SPECIFICATION

ELECTRICAL CHARACTERISTICS

Impedance		50 Ω
Frequency		0-4 GHz
VSWR	1.06 +	0,0060 x F(GHz) Maxi
Insertion loss		.025* √F(GHz) dB Maxi
RF leakage	- (57 - F(GHz)) dB Maxi
Voltage rating		500 Veff Maxi
Dielectric withstanding voltage		1500 Veff mini
Insulation resistance		5000 MΩ mini

CABLE ASSEMBLY

Stripping	a	b	c	d	e	f
mm	0,00	0,00	0,00	0,00	0,00	0,00

Assembly instruction : **NA**

Recommended cable(s)

MECHANICAL CHARACTERISTICS

Center contact retention		
Axial force – Mating end	18	N mini
Axial force – Opposite end	18	N mini
Torque	2.8	N.cm mini

Characteristics indicated on this data sheet are those that can be achieved with the highest performance cable. Intrinsic limitations of the cable may diminish the performance of the assembly

Cable retention

- pull off	NA	N mini
- torque	NA	N.cm

TOOLING

Recommended torque		
Mating	NA	N.cm
Panel nut	250	N.cm
Clamp nut	NA	N.cm
A/F clamp nut	0,0000	mm

Part Number	Description	Hexagon
.	.	.

OTHER CHARACTERISTICS

Mating life	500	Cycles mini
Weight	11,0000	g

* Coaxial Transmission Line Only

ENVIRONMENTAL

Operating temperature	-65/+165	° C
Hermetic seal	NA	Atm.cm3/s
Panel leakage	NA	

Issue : 0628 C

In the effort to improve our products, we reserve the right to make changes judged to be necessary.

