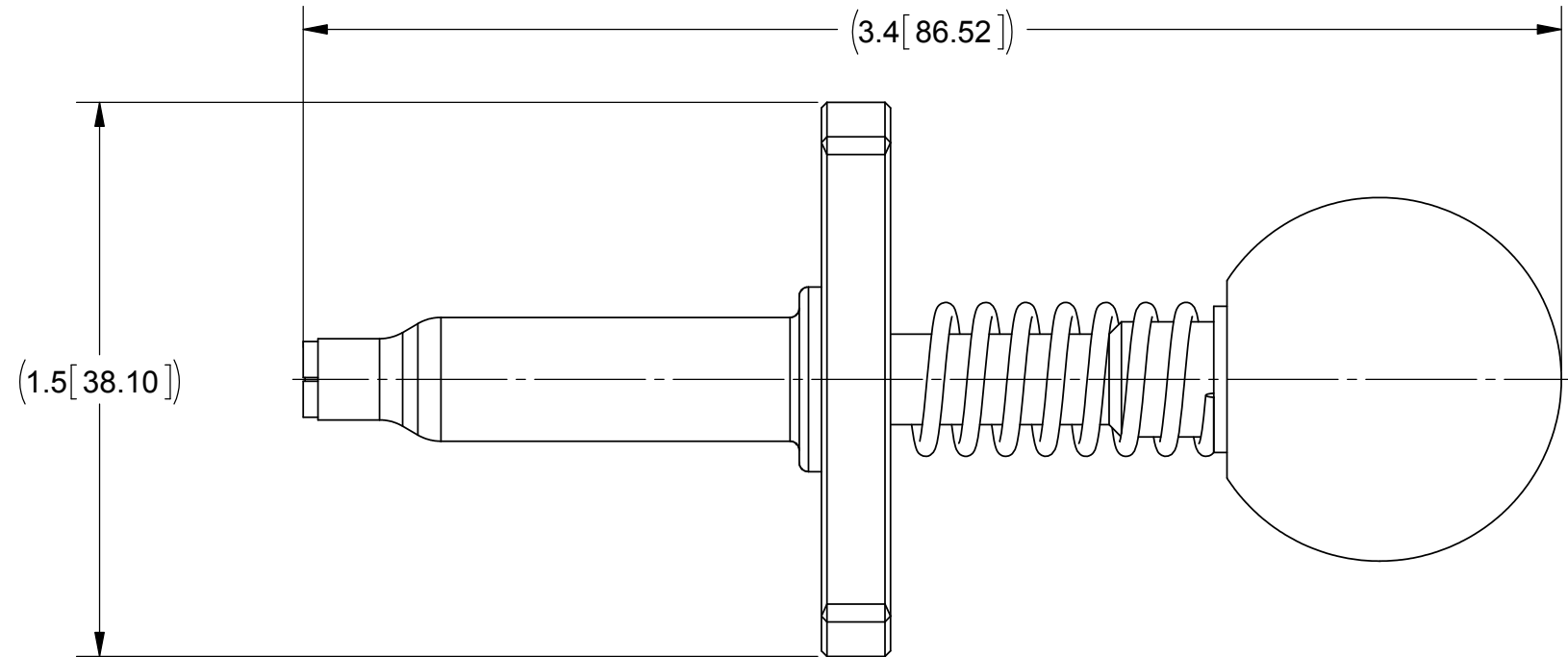
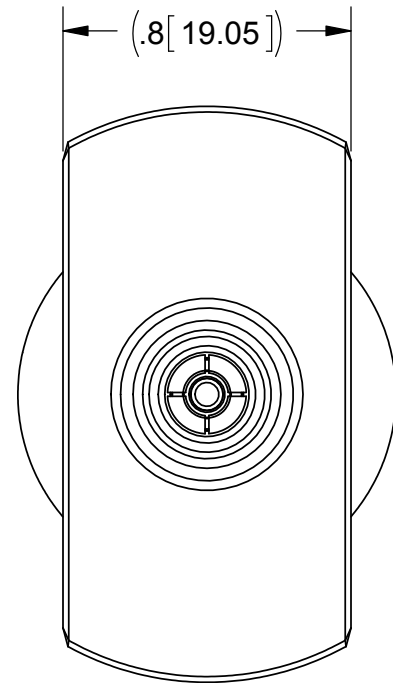


PRODUCT DATA DRAWING

REVISION HISTORY			
REV	DESCRIPTION	DATE	APPROVED
-	DCN 38041	02/11	STW
A	REV. DCN 38604	10/13/11	STW
B	REV. DCN 39055	05/07/12	STW



MATERIAL:

SHAFT, TIP & TUBE: STAINLESS STEEL PER ASTM A564, ALLOY UNS S17400, TYPE 630, COND. A

FINGER GRIP: BRASS PER ASTM B16, ALLOY UNS No. C36000

COLLET: BERYLLIUM COPPER PER ASTM B196, ALLOY No. UNS C17300, TD04

COMPRESSION SPRING : STAINLESS STEEL PER ASTM A313, TYPE 302

KNOB: PLASTIC

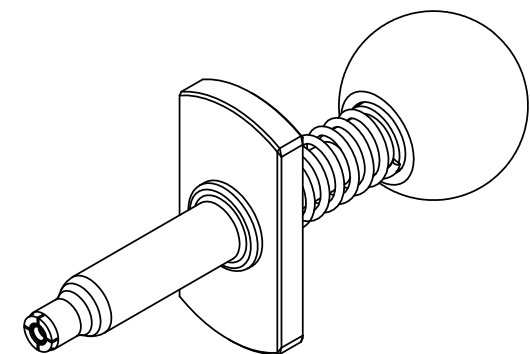
FINISH:

COLLET: NICKEL PER SAE AMS 2404, CLASS 1

FINGER GRIP: NICKEL PER AMS-QQ-N-290

SHAFT, TIP & TUBE: PASSIVATED PER AMS-2700

COMPRESS TO OPEN COLLET, RELEASE TO CLOSE COLLET, PULL TO REMOVE BULLET



MATERIAL: SEE NOTES	DIMENSIONS ARE IN INCHES TOLERANCES: FRACTIONAL: ±1/64 ANGULAR: X° ±1'0" X'X' ±15'	UNLESS OTHERWISE SPECIFIED 1) ALL DIMENSIONS ARE IN INCHES (MILLIMETERS) 2) ALL DIMENSIONS ARE AFTER PLATING. 3) BREAK CORNERS & EDGES .005 R. MAX. 4) CHAM. 1ST & LAST THREADS. 5) SURFACE ROUGHNESS 63-MIL-STD-10. 6) DIA. 'S ON COMMON CENTERS TO BE CONCENTRIC WITHIN .005 T.I.R. 7) REMOVE ALL BURRS	SV Microwave, Inc. 2400 Centrepark West Drive, Suite 100 West Palm Beach, FL 33409
FINISH: SEE NOTES	DECIMAL: X ±.030 .XX ±.010 .XXX ±.005	INTERPRET DIMENSIONS AND TOLERANCES PER ASME Y14.5M - 1994	TITLE: SMP BULLET REMOVAL TOOL
SURFACE AREA: N/A	THIRD ANGLE PROJECTION	DRAWN: FED 02/28/11	SIZE: B CAGE CODE: 95077 DWG. NO. 500-12-000
PROPRIETARY THE INFORMATION CONTAINED IN THIS DRAWING IS THE SOLE PROPERTY OF SV MICROWAVE, INC. ANY REPRODUCTION IN PART OR AS A WHOLE WITHOUT THE WRITTEN PERMISSION OF SV MICROWAVE, INC IS PROHIBITED.		CHECKED: STW 02/28/11	SCALE: 2:1
		APPROVED: STW 02/28/11	SHEET 1 OF 1