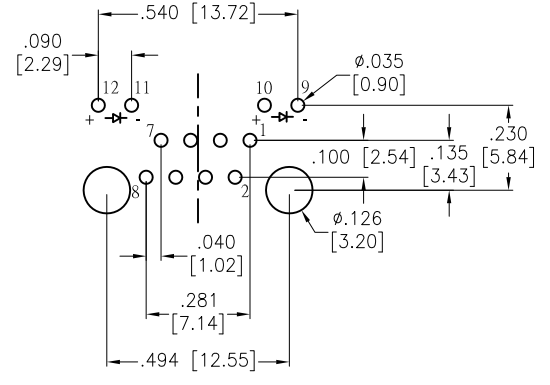
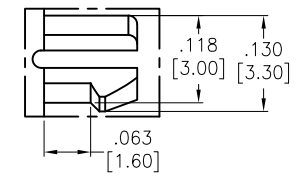
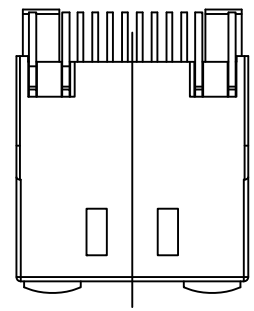
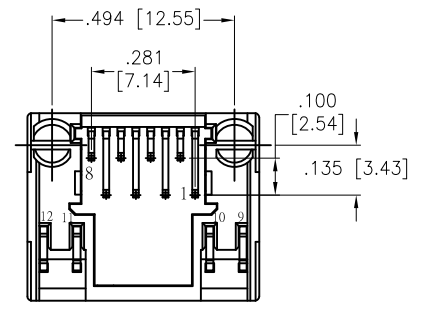


Rev	AWO #	Description	Date	Appr
-		RELEASED	9/27/18	

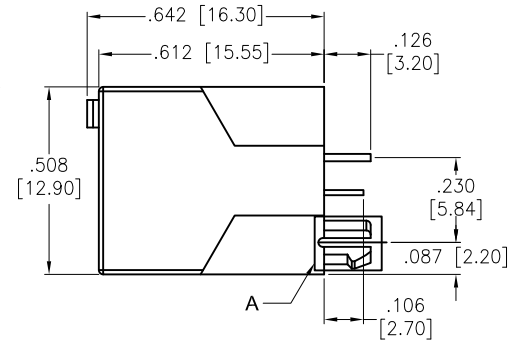
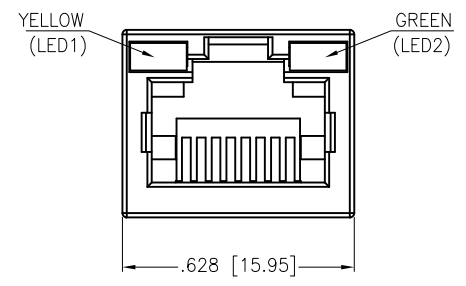
APPROVED: _____
DATE: _____ TITLE: _____



RECOMMENDED PCB LAYOUT



DETAIL A



SPECIFICATIONS:

Material:
Insulator: Hi-temp thermoplastic, rated UL 94V-0
Insulator color: Pantone P485U, Red
Contacts: Phosphor Bronze
Contacts Plating:
Round contact
Gold over Nickel underplate overall
Flat contact
Gold over Nickel underplate on contact area,
Tin over Nickel underplate on solder tails
Electrical:
Voltage rating: 150 VAC max
Current rating: 1.5 Amp max
Contact Resistance: 30 mohms max
Insulation resistance: 500 Mohms min
Dielectric withstanding voltage: 1,000 VAC
Temperature Rating:
Operating temperature: -40°C to +70°C
Environmental:
Lead free, RoHS compliant.



UNLESS OTHERWISE SPECIFIED ALL DIMENSIONS ARE INCHES [MM] TOLERANCES: EXCEPT AS NOTED		
INCHES HOLES		
.X ± .10	Ø.X ± .10	
.XX ± .020	Ø.XX ± .015	
.XXX ± .015	Ø.XXX ± .010	
APPROVALS		DATE
DRAWN	HR	9/27/18
CHECKED	RC2	9/27/18
APPROVED		

ADAM TECH INTERCONNECTS 909 Rahway Avenue,
Union, NJ 07083
Phone: 908-687-5000
Fax: 908-687-5710

TITLE: MODULAR TELEPHONE JACK, 8P8C,
W/ LED1 YELLOW LED2 GREEN, RED

SIZE X	PART NO. MTJ-88DX1-N-LG-P485U-HT	REV. -
REF: S00297T	SCALE: NTS	SHEET 1 OF 1