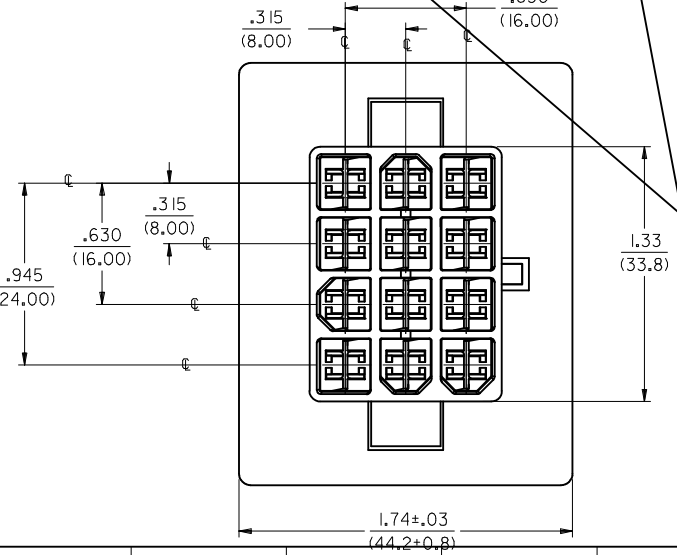
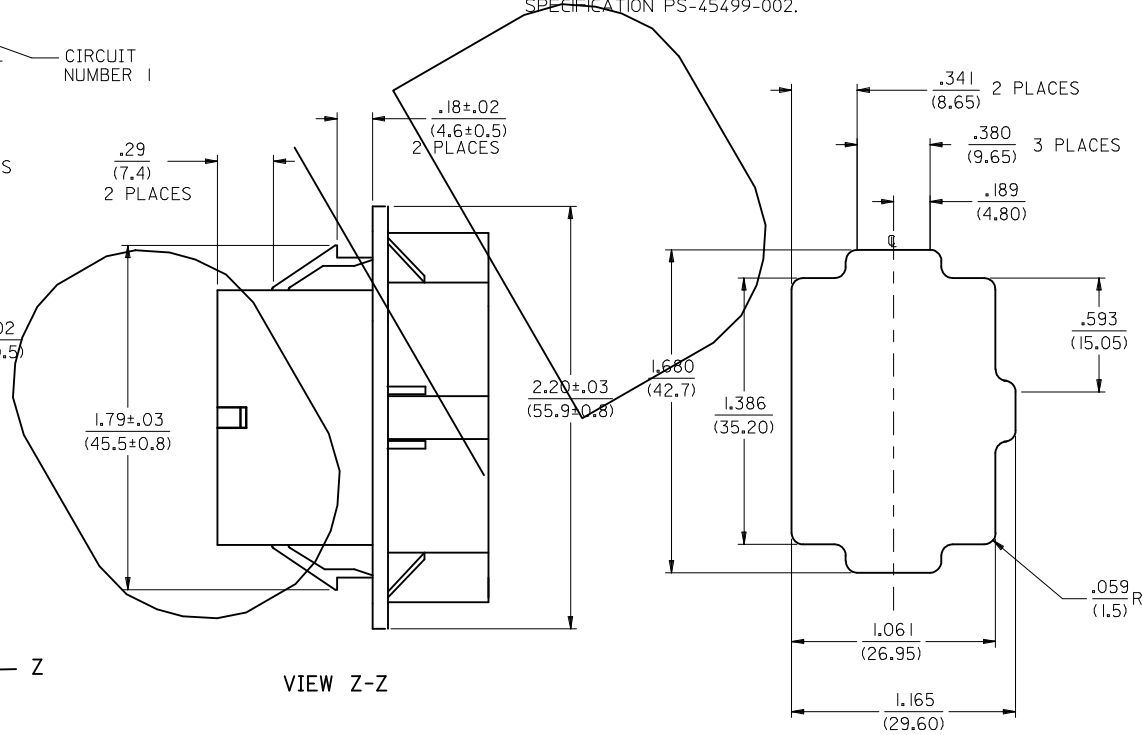
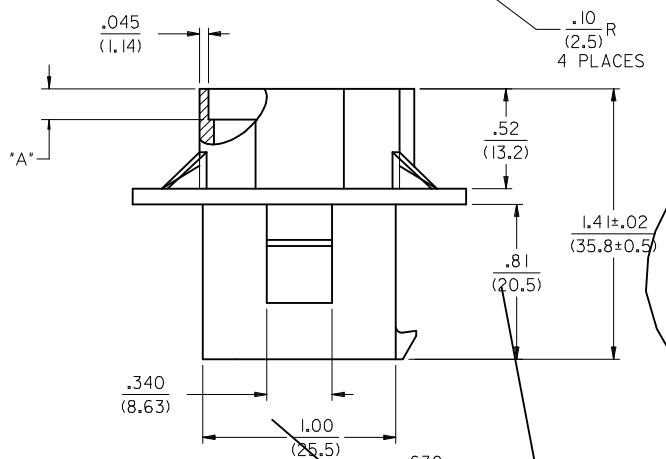
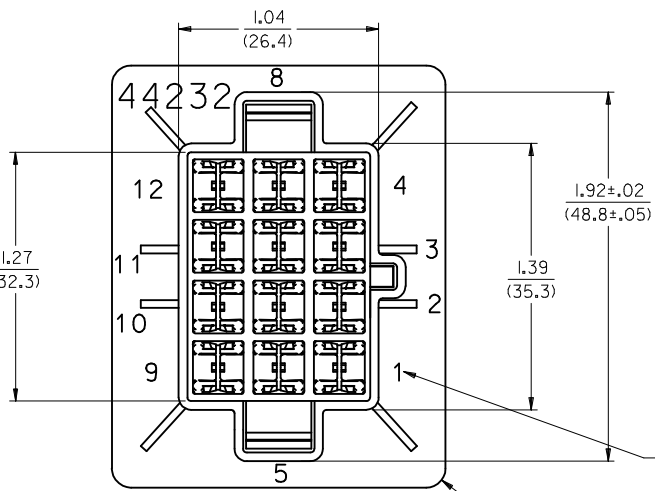


44232-0004	NYLON	BLACK	UL 94 V-2	.075/(1.90)	TOOLED
44232-0003	NYLON	NATURAL	UL 94 V-2	.075/(1.90)	TOOLED
44232-0002	NYLON	BLACK	UL 94 V-2	.160/(4.1)	OBSOLETE
44232-0001	NYLON	NATURAL	UL 94 V-2	.160/(4.1)	OBSOLETE
MATERIAL NO.	MATERIAL	COLOR	FLAMMABILITY	DIM "A"	OBS.

NOTE:
 1. MATERIAL: NYLON, UL94V-2, COLOR: (SEE CHART).
 2. FINISH: NONE.
 3. PRODUCT SPECIFICATION: NONE.
 4. PACKAGING SPECIFICATION: PK-44232-001.
 5. MATES WITH RECEPTACLE HOUSING PER DRAWING SD-44234-001.
 6. PARTS CONFORM TO CLASS 'B' REQUIREMENTS OF COSMETIC SPECIFICATION PS-45499-002.



SUGGESTED PANEL CUTOUT

VOID DWG EC NO: UCP2016-0620 DRW: J.MONTI 2015/08/07 CHK: D.BANDERSON 2015/08/07 APPR: F.SMITH 2015/08/13 REV: DESCRIPTION	QUALITY SYMBOLS	GENERAL TOLERANCES (UNLESS SPECIFIED) <table border="1"> <tr> <th>mm</th> <th>INCH</th> </tr> <tr> <td>4 PLACES ± .005</td> <td>± .005</td> </tr> <tr> <td>3 PLACES ± .010</td> <td>± .010</td> </tr> <tr> <td>2 PLACES ± .013</td> <td>± .010</td> </tr> <tr> <td>1 PLACE ± 0.25</td> <td>± .010</td> </tr> </table> ANGULAR ± 1/2°	mm	INCH	4 PLACES ± .005	± .005	3 PLACES ± .010	± .010	2 PLACES ± .013	± .010	1 PLACE ± 0.25	± .010	DIMENSION STYLE IN/MM	SCALE 2:1	DESIGN UNITS INCH	THIRD ANGLE PROJECTION
	mm		INCH													
	4 PLACES ± .005		± .005													
	3 PLACES ± .010		± .010													
2 PLACES ± .013	± .010															
1 PLACE ± 0.25	± .010															
DRAWN BY H.QIAO DATE 09/27/99	CHECKED BY E.SOMMER DATE 10/15/99	APPROVED BY R.EDGLEY DATE 10/15/99	12 CIRCUIT F.I.C. PLUG HOUSING .125/(3.18) X .020/(0.5)FBS-TPA													
DRAFT WHERE APPLICABLE MUST REMAIN WITHIN DIMENSIONS			MATERIAL NO. SEE TABLE	DOCUMENT NO. SD-44232-001	SHEET NO. 1 OF 1											
THIS DRAWING CONTAINS INFORMATION THAT IS PROPRIETARY TO MOLEX INCORPORATED AND SHOULD NOT BE USED WITHOUT WRITTEN PERMISSION																