

NOTES:

1. MATERIALS AND FINISHES:

- HEX NUT - BRASS, GOLD PLATING
- LOCK WASHER - BRASS, GOLD PLATING
- BODY - BRASS, GOLD PLATING
- CONTACT PIN - BRASS, GOLD PLATING
- INSULATOR - PTFE, NATURAL

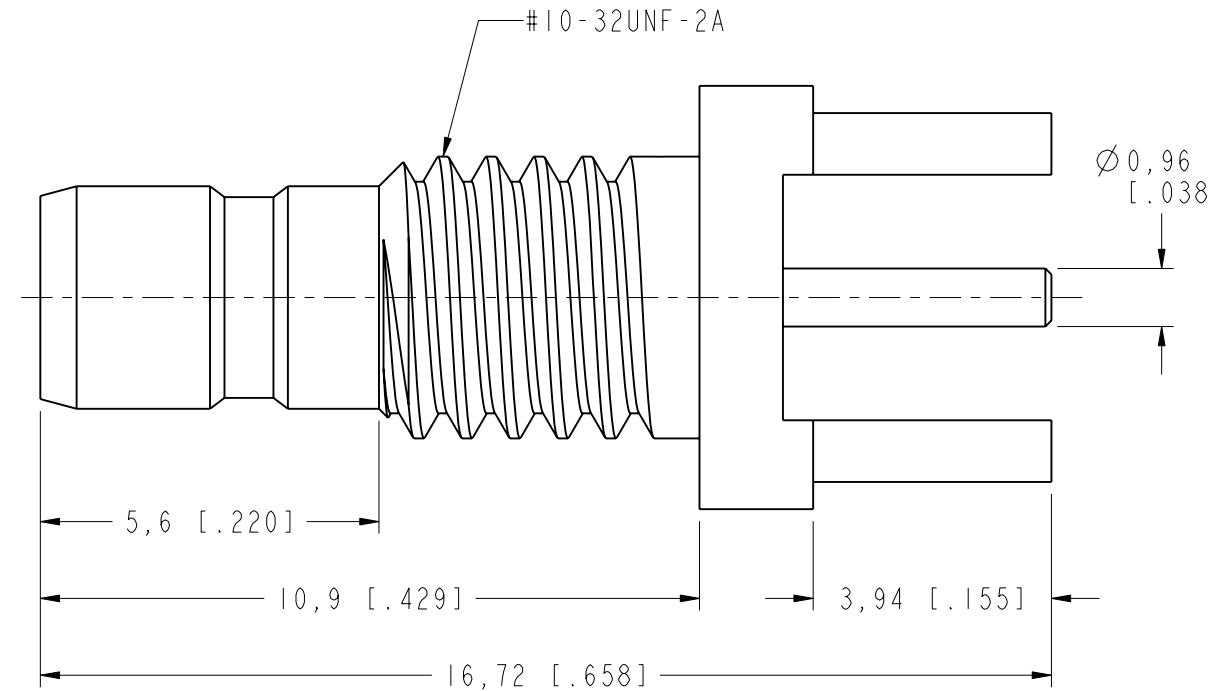
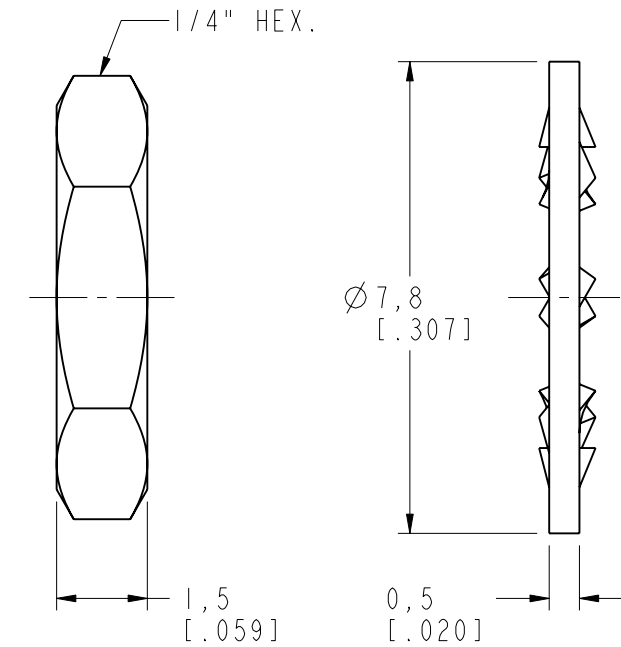
2. ELECTRICAL:

- A. IMPEDANCE: 75 OHM
- B. FREQUENCY RANGE: DC - 2 GHz
- C. D.W.V: 750 VRMS, MIN.

3. MECHANICAL:

- A. DURABILITY: 500 CYCLES MIN.
- B. TEMPERATURE RANGE: -65°C TO +165°C

4. PANEL THICKNESS=1.0~3.0mm



CUSTOMER OUTLINE DRAWING
ALL OTHER SHEETS ARE FOR INTERNAL USE ONLY

UNLESS OTHERWISE SPECIFIED, DIMENSIONS ARE IN METRIC AND TOLERANCES ARE:
 <0.5mm ±0.05mm 0.5 - 6mm ±0.1mm 6 - 30mm ±0.2mm 30 - 120mm ±0.3mm ANGLES ±1°

NOTICE - These drawings, specifications, or other data (1) are, and remain the property of Amphenol corp. (2) must be returned upon request; and (3) are confidential and not to be disclosed to any person other than those to whom they are given by Amphenol Corp. the furnishing of these drawings, specifications, or other data by Amphenol Corp., or to any other person to anyone for any purpose is not to be regarded by implication or otherwise in any manner licensing, granting rights to permitting such holder or any other person to manufacture, use or sell any product, process or design, patented or otherwise, that may in any way be related to or disclosed by said drawings, specifications, or other data.

| | |
|--------------------------------------------|--|
| MATERIAL | |
| REFERENCE AND CONFIGURATION LEVEL: In Work | |
| FINISH | |

| | |
|-------------------|----------------|
| DRAWN M. ZHANG | DATE 11-Aug-15 |
| ENGINEER CHAREY | DATE 27-Aug-04 |
| APPROVED S. HSIEH | DATE 11-Aug-15 |
| CAD FILE | |

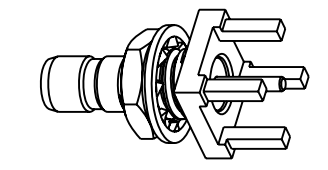
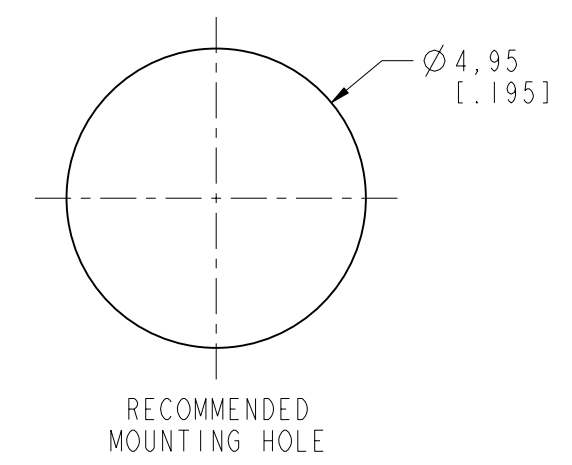
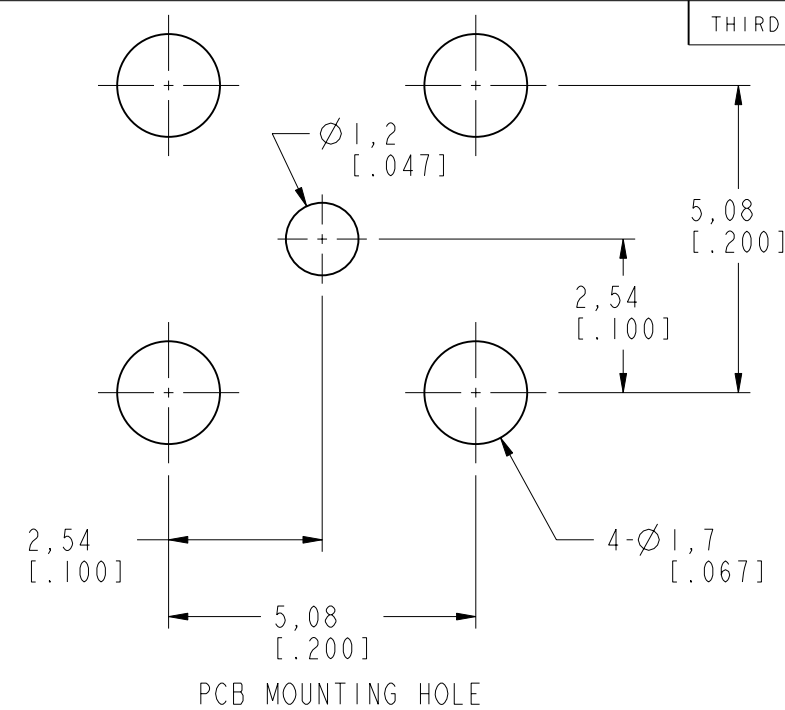
| | |
|---------------------------------------------------------|--------------|
| TITLE MINI 75 OHMS SMB BULKHEAD PCB MOUNT JACK | |
| SCALE: 8.0:1.0 | SHEET 2 OF 2 |
| DWG SIZE B | REV B |

| | |
|-------------------------------------|-----------------|
| Amphenol RF www.amphenolrf.com | |
| DRAWING NO. SMB1451B1-003-3GT30G-75 | |
| ITEM NO. | 121451AAF02GE7F |
| PART NO. | 142210-75 |

THIRD ANGLE PROJ.

REVISIONS

| REV | DESCRIPTION | DATE | ECO | APPR |
|-----|-------------------------------------------|-----------|-------|------|
| NC | INITIAL RELEASE | 29-Jan-98 | ----- | GRS |
| A | UPDATE DAAWING FORMAT | 20-Jul-05 | ----- | GRS |
| B | SYNC, ADDED THE PANEL CUTOUT & NOTES \N/A | 19-Aug-15 | 50699 | SH |



SCALE 2.000

