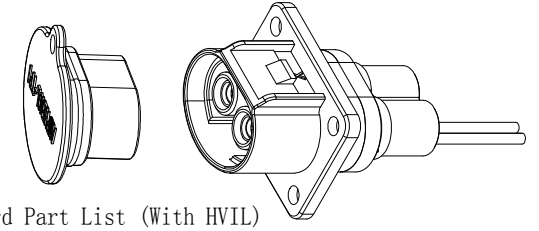
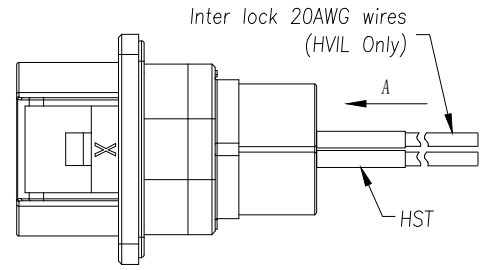
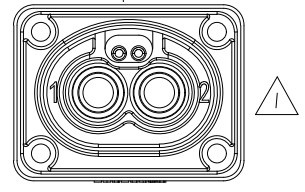
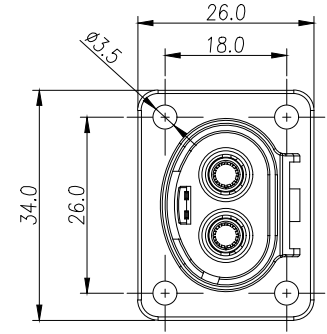
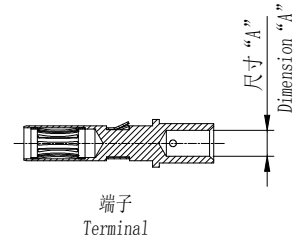


THIS DRAWING IS SUPPLIED FOR INFORMATION ONLY. DESIGN FEATURES, SPECIFICATIONS AND PERFORMANCE DATA SHOWN HEREON ARE THE PROPERTY OF THE AMPHENOL CORPORATION. NO RIGHTS OF REPRODUCTION ARE IMPLIED. ALL DIMENSIONS ARE SUBJECT TO NORMAL MANUFACTURING VARIATIONS.

Customer Drawing

REV. ZONE		ECO	DESCRIPTION	DATE	BY	APPR
A			Updated Spec.	07/17/14	RW	EC
E			Add key abridged general view	09/17/15	RW	GX
F			Add Dust Cap & Change HVIL Wire, Update Spec.	03/30/16	RW	TS
G			Add Notes and Tol.	06/27/17	RW	TS
H			Add rating current	02/07/18	YM	JG
I			Remove error message and add View	05/29/18	KW	JL
J			Updated Spec.	08/24/18	Fred	JL

A
B
C
D
E
F



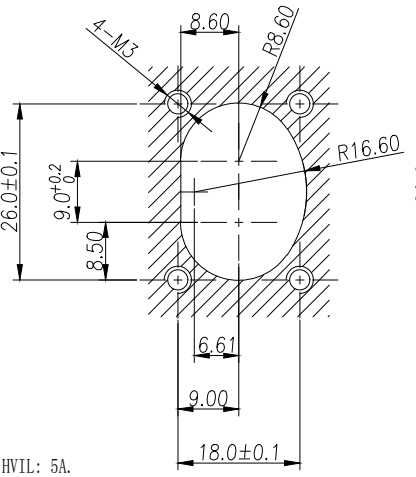
Standard Part List (With HVIL)

P/N	Model NO.	Dimension "A"	Accepted Wire
AC-HA000749	PL082X-61-2.5	Φ2.3mm	2.5mm ² Unshielding wire
AC-HA000750	PL082Y-61-2.5		
AC-HA000751	PL082U-61-2.5		
AC-HA000752	PL082X-61-4	Φ3.0mm	4mm ² Unshielding wire
AC-HA000753	PL082Y-61-4		
AC-HA000754	PL082U-61-4		
AC-HA000755	PL082X-61-6	Φ4.0mm	6mm ² Unshielding wire
AC-HA000756	PL082Y-61-6		
AC-HA000757	PL082U-61-6		
AC-HA001082	PL082X-61-10	Φ4.5mm	10mm ² Unshielding wire
AC-HA001083	PL082Y-61-10		
AC-HA001084	PL082U-61-10		

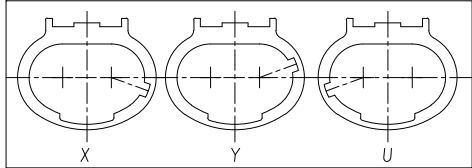
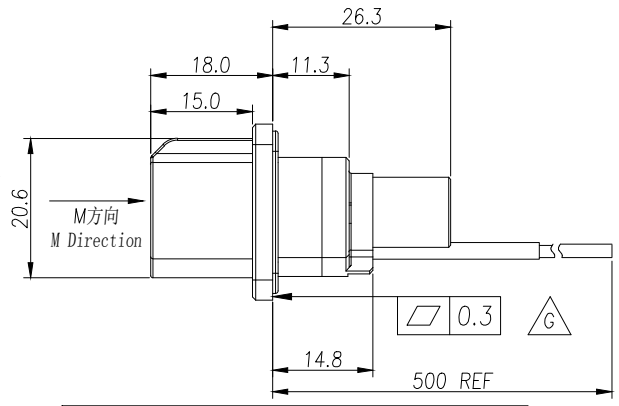
Standard Part List (Without HVIL)

P/N	Model NO.	Dimension "A"	Accepted Wire Size
AC-HA000758	PL082X-60-2.5	Φ2.3mm	2.5mm ² Unshielding wire
AC-HA000759	PL082Y-60-2.5		
AC-HA000760	PL082U-60-2.5		
AC-HA000761	PL082X-60-4	Φ3.0mm	4mm ² Unshielding wire
AC-HA000762	PL082Y-60-4		
AC-HA000763	PL082U-60-4		
AC-HA000764	PL082X-60-6	Φ4.0mm	6mm ² Unshielding wire
AC-HA000765	PL082Y-60-6		
AC-HA000766	PL082U-60-6		
AC-HA001085	PL082X-60-10	Φ4.5mm	10mm ² Unshielding wire
AC-HA001086	PL082Y-60-10		
AC-HA001087	PL082U-60-10		

- Notices:**
- Surface Planeness of panel should less than or equal to 0.3mm
 - Surface Roughness of panel should be Ra 3.2 or better.
 - Thickness of panel should not be Less than 5mm to 8mm.



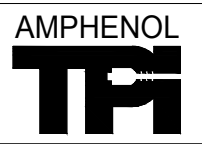
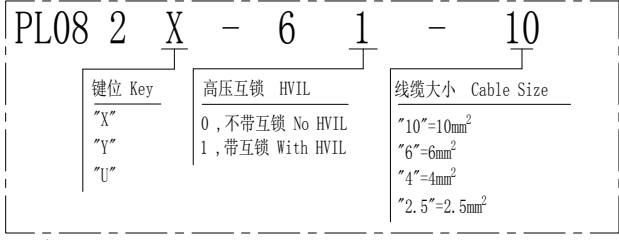
面板安装孔尺寸 Panel Size



Key Abridged General View of M Direction

- 规格参数 (Spec.):
- 工作温度 Operating temperature: -40° C ~ +125° C.
 - 带高压互锁 Electrical interlock (HVIL).
 - 额定电流 Current rating: 2.5mm²: 25A, 4mm²: 40A, 6mm²: 45A, 10mm²: 60A; HVIL: 5A.
 - 额定电压 Operating voltage: Power: 1000 VDC; Signal: 60 VDC.
 - 耐电压 Dielectric withstanding voltage:
 - 与插头对插后, Pin与铁壳之间 After mating, between pin and metal shell :5000 VDC.
 - 与插头对插后, Pin与HVIL之间 After mating, between pin and HVIL :5000 VDC.
 - 与插头对插后, HVIL与铁壳之间 After mating, between HVIL and metal shell :500 VDC.
 - 与插头对插前, 两个HVIL端子之间耐压 Before mating, between two HVIL terminals :500 VDC.
 - 防护等级 Protection class: IP67 & IP2X.
 - 电磁屏蔽 Shielding.
 - 机械寿命 Mating cycle: 100 Min.
 - 带自动二次锁扣 Automatic secondary lock.
 - 接非屏蔽线 Use Unshielding Wire.
 - 推荐法兰盘螺丝安装扭矩 Recommended Screw Assembly Torque on Flange : 0.86 ± 20% Nm

订购信息 Ordering Information



Amphenol Technical Products International Asia.

第三角投影 THIRD ANGLE PROJECTION	页面 SHEET	幅面 SIZE	版次 REV.	比例 SCALE	PART NAME:
	1 of 1	A3	J		PwrLok 4mm 2POS Rept Conn
签名 SIGNATURE	日期 DATE	UNLESS OTHERWISE SPECIFIED			DWG NO:
制图 DRAWN	Fred	1) All dimensions are in metric(mm).			PL082-60
审核 CHECKED		2) Tolerances are as follows:			CUST PART #:
批准 APPROVAL		0 PL DEC ±1.00 1 PL DEC ±0.50 2 PL DEC ±0.20			N/A
		Angles ±1°			CUST REV.
					-

A
B
C
D
E
F

1 2 3 4 5 6 7 8