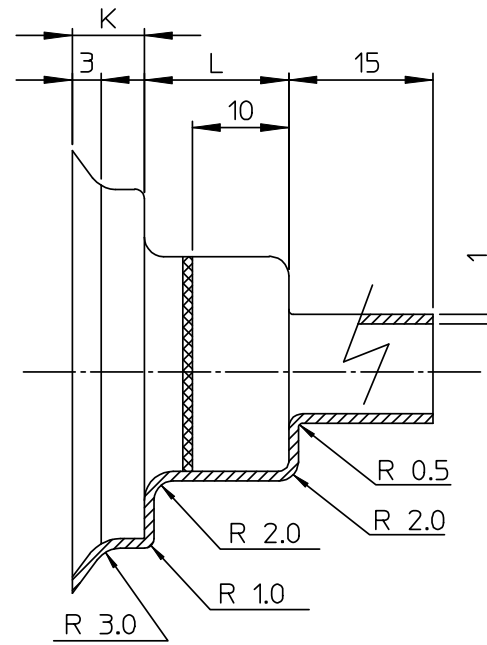
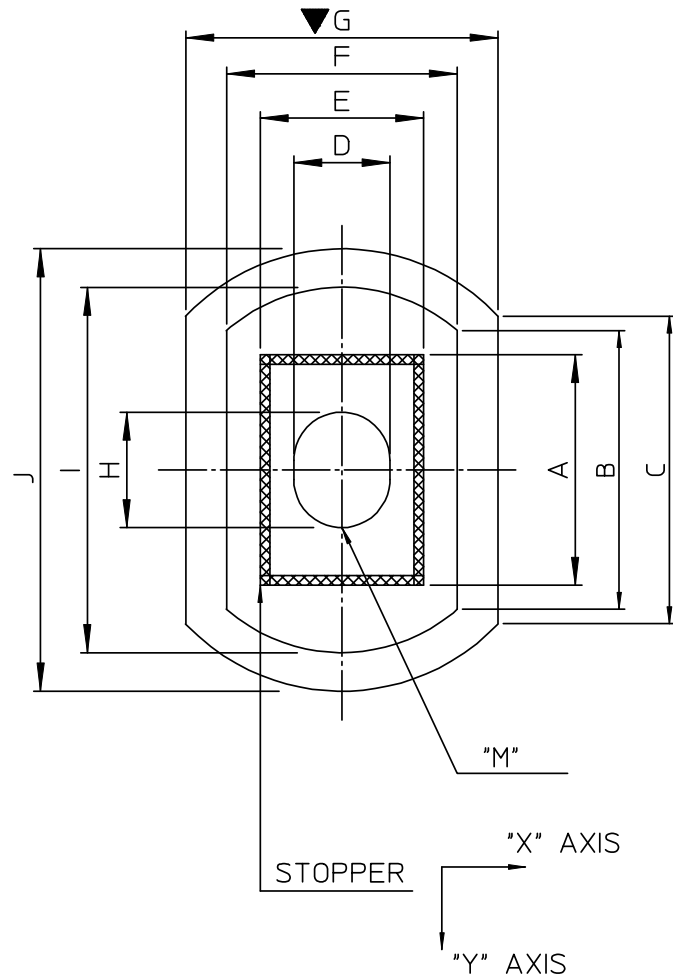


MATERIAL NO.	ENG NO.	A	B	C	D	E	F	G	H	I	J	K	L	"M"	STOPPER	APPLICABLE HSG	COLOR
684210030	68421-0030	13.0	16.0	20.0	6.5	8.0	14.0	22.5	6.5	21.5	30.0	6.5	13.5	6.5±0.25 HOLE	Y AXIS	35150-0210	TRANSPARENCY
684210040	68421-0040	16.0	17.0	23.5	9.0	17.0	24.0	31.5	9.0	29.5	39.5	7.5	14.5	9.0±0.25 HOLE	Y AXIS	35180-0400	TRANSPARENCY
684210050	68421-0050	24.0	29.0	33.0	10.0	17.0	25.5	36.0	10.0	38.0	49.0	7.5	15.0	10.0±0.25 HOLE	Y AXIS	35180-0600	TRANSPARENCY
684210034	68421-0034	17.5	18.0	24.5	10.0	13.5	20.5	31.0	10.0	27.7	40.0	9.0	13.5	10.0±0.25 HOLE	X AXIS	35150-0410	BLUE
684210044	68421-0044	22.8	22.7	26.7	10.5	18.0	22.0	31.5	10.5	31.5	40.5	8.7	12.5	10.5±0.25 HOLE	Y AXIS	35150-0610	BLUE



NOTES  
1. MATERIAL : SF-PVC (UL 105A)

<b>REVISED</b> EC NO: KOR2008-0170 DRWN: JHPARK01 CHKD: W. YANG APPR: YUNS IKK IM	2008/04/21 2008/04/21 2008/04/22	QUALITY SYMBOLS	GENERAL TOLERANCES (UNLESS SPECIFIED)	DIMENSION STYLE	SCALE	DESIGN UNITS	THIRD ANGLE PROJECTION	
		$\nabla=0$ $\sphericalangle=0$	mm      INCH 4 PLACES ± ---      ± --- 3 PLACES ± ---      ± --- 2 PLACES ± 0.25      ± --- 1 PLACE ± 0.20      ± ---	MM ONLY	2:1	METRIC		
			ANGULAR ± 1°	DRAWN BY	DATE	TITLE		
				JB. JIN	2002/05/03	SLEEVE FOR HOUSING (35150,35180)		
				CHECKED BY	DATE			
				WY. YANG	2002/05/03			
				APPROVED BY	DATE			
				CW. LEE	2002/05/03			
				MATERIAL NO.	DOCUMENT NO.			
				SEE TABLE	SD-68421-001			
				SIZE				
				A3				
				THIS DRAWING CONTAINS INFORMATION THAT IS PROPRIETARY TO MOLEX INCORPORATED AND SHOULD NOT BE USED WITHOUT WRITTEN PERMISSION				
							SHEET NO.	
							1 OF 01	