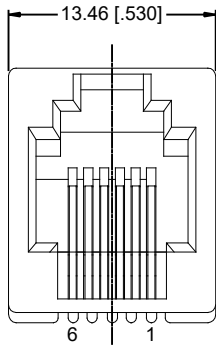
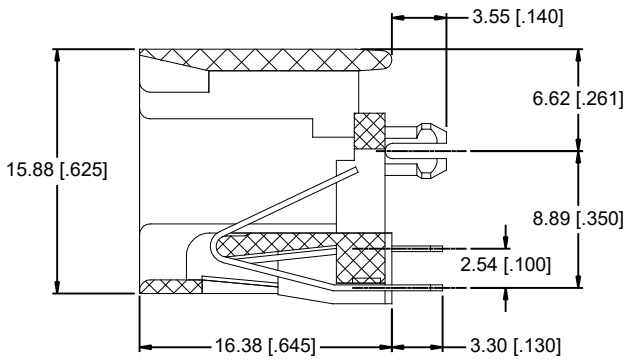


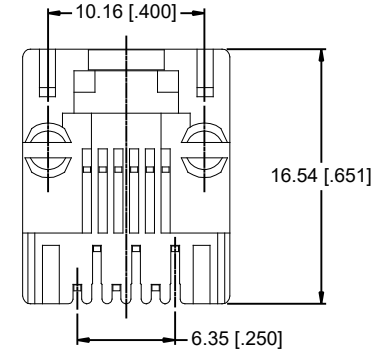
REVISIONS			
REV	DESCRIPTION, ECN, EAR NO.	DATE	APP'D
A	NEW PROPOSAL	NOV30/22	KELVIN



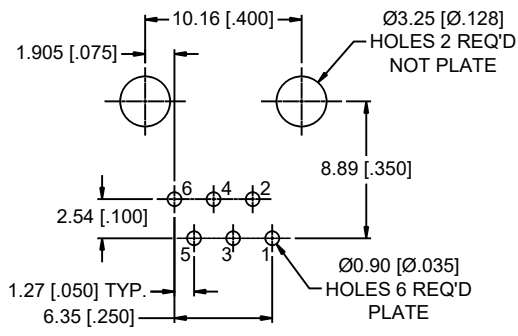
FRONT VIEW



SIDE VIEW



BACK VIEW

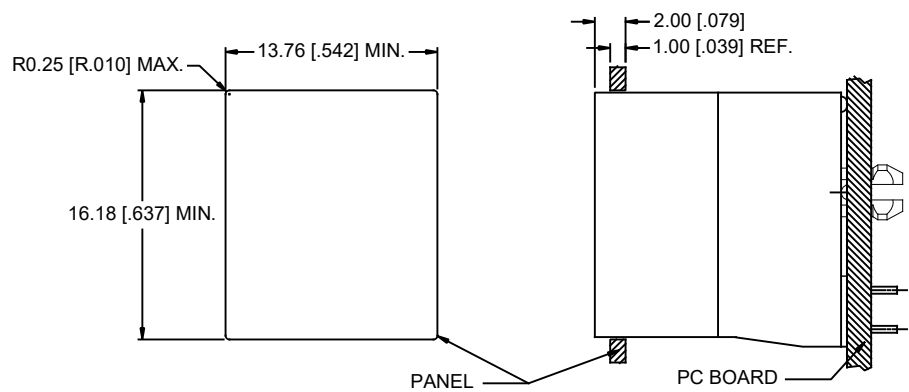


RECOMMENDED P.C.B LAYOUT
 (TOLERANCE: ±0.05[±.002])
 (PCB THICKNESS: 1.57 [.062])
 (COMPONENT SIDE OF PC BOARD)



NOTES:

- MATERIALS:**
 CONTACTS: PHOSPHOR BRONZE, 0.35MM THICKNESS,
 PLATING: 50µ "[1.27 MICRONS] MIN. GOLD PLATING
 ON MATING SURFACE,
 30µ "[0.762 MICRONS] MIN. NICKEL OVERALL.
 HOUSING: ENGINEERING THERMOPLASTIC, FLAMMABILITY RATING UL 94V-0
 COLOR - BLACK.
- MECHANICAL:**
 MATING FORCE: 5.0 LBS MAXIMUM
- ELECTRICAL:**
 CONTACT RESISTANCE: 20 MILLIOHMS MAXIMUM
 INSULATION RESISTANCE: 500 MEGOHMS MINIMUM
 CURRENT RATING: 1.5 AMPS
 VOLTAGE RATING: 125 VOLTS AC
- ENVIRONMENTAL:**
 STORAGE TEMPERATURE: -40°C TO +85°C
- RECOMMENDED SOLDERING TEMPERATURE:**
 WAVE SOLDERING PEAKED AT 260°C FOR 5 TO 8 SECONDS,
 AMPHENOL PART NUMBER: RJE08-166-041M



RECOMMENDED PANEL CUTOUT

THIS DOCUMENT CONTAINS PROPRIETARY INFORMATION AND SUCH INFORMATION MAY NOT BE DISCLOSED TO OTHERS FOR ANY PURPOSE OR USED FOR MANUFACTURING PURPOSES WITHOUT WRITTEN PERMISSION FROM AMPHENOL CANADA CORP.

UNLESS SPECIFIED OTHERWISE	DRAWN RONNIE.C	NOV30/22
PRIMARY UNITS MILLIMETERS	CHECKED KELVIN.T	NOV30/22
SECONDARY INCHES	M.E. APP'D	
REFERENCE IN PARENTHESES	Q.A. APP'D	
GENERAL TOLERANCES	DWG APP'D	
1 DECIMAL PLACE ±0.30	ENG. REL. NO.	
2 DECIMAL PLACES ±0.20	REF.	
3 DECIMAL PLACES ±0.13		
ANGULAR DEGREES ±2.0°	THIRD ANGLE PROJECTION	DO NOT SCALE DRAWING

Amphenol Canada Corp. Commercial Products	
SINGLE PORT, VERTICAL MODULAR JACK, 6 POSITION, 6 CONTACTS, UNSHIELD -RoHS COMPLIANT	
DWG NO.	P-RJE08-166-041M
REV	A
CODE ID NO. 03554	DWG SIZE X SCALE N/A SHEET 1 OF 1