

- 1
- 2
- 3
- 4
- 5
- 6
- 7
- 8
- 9
- 10
- 11
- 12
- 13
- 14
- 15
- 16
- 17
- 18

MATERIAL

Aluminium, epoxy resin coating.

COLOUR

Black, matte finish.

STANDARD EXECUTIONS

H7 reamed through hole.

Revolving handle (for +I versions) l.621+x (see page 406) in polyamide based (PA) technopolymer, black colour, matte finish.

- VAD-GXX: for gravity indicators, without handle.
- VAD-GXX+I: for gravity indicators, with handle.
- VAD-PXX: for positive drive indicators, without handle.
- VAD-PXX+I: for positive drive indicators, with handle.

Rear flange with internal crown gear wheel in acetal resin based (POM) technopolymer. Black-oxide steel screw and anchor pin.

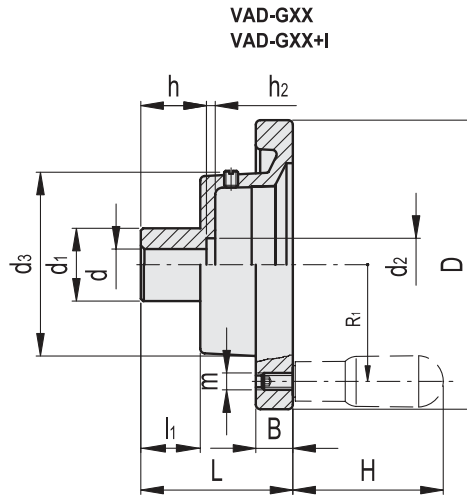
INDICATOR CHOICE (TO BE ORDERED SEPARATELY)

To choose the indicator see the table below for possible assembly with indicators.

See also "Assembly instructions" for gravity indicators type G (on page 460) or positive drive indicators type P (on page 462).



ELESA Original design



| Conversion Table | |
|-------------------|------|
| 1 mm = 0.039 inch | |
| D | |
| mm | inch |
| 80 | 3.15 |
| 100 | 3.94 |
| 125 | 4.92 |
| 160 | 6.30 |
| 200 | 7.87 |
| 250 | 9.84 |

VAD-GXX

METRIC

| Code | Description | D | L | dh7 | h | d1 | d2 | d3 | h2 | l1 | B | ⚖️ | Handwheel/indicator combinations |
|----------|-------------------|-----|------|-----|------|----|------|-----|-----|------|------|------|----------------------------------|
| CE.28501 | VAD.80-GXX1 A-10 | 80 | 48 | 10 | 16 | 26 | 20.5 | 56 | 3.5 | 15.5 | 13 | 175 | GA01 - GA11 |
| CE.28551 | VAD.100-GXX1 A-10 | 100 | 58 | 10 | 17 | 28 | 20.5 | 56 | 3.5 | 17.5 | 14 | 235 | GA01 - GA11 |
| CE.28601 | VAD.125-GXX2 A-12 | 125 | 61 | 12 | 18 | 31 | 25.5 | 76 | 4 | 18 | 15 | 370 | GA02 - GA12 - GW12 |
| CE.28651 | VAD.160-GXX2 A-14 | 160 | 68 | 14 | 20 | 36 | 29 | 78 | 4 | 19 | 18 | 625 | GA02 - GA12 - GW12 |
| CE.28701 | VAD.160-GXX5 A-14 | 160 | 64 | 14 | 23.5 | 36 | 25.5 | 120 | 4 | 20 | 18 | 760 | GA05 |
| CE.28721 | VAD.200-GXX2 A-18 | 200 | 75 | 18 | 24 | 42 | 33 | 79 | 4.5 | 21 | 20.5 | 980 | GA02 - GA12 - GW12 |
| CE.28731 | VAD.250-GXX2 A-22 | 250 | 81.5 | 22 | 28 | 48 | 37 | 80 | 4.5 | 24.5 | 23 | 1500 | GA02 - GA12 - GW12 |

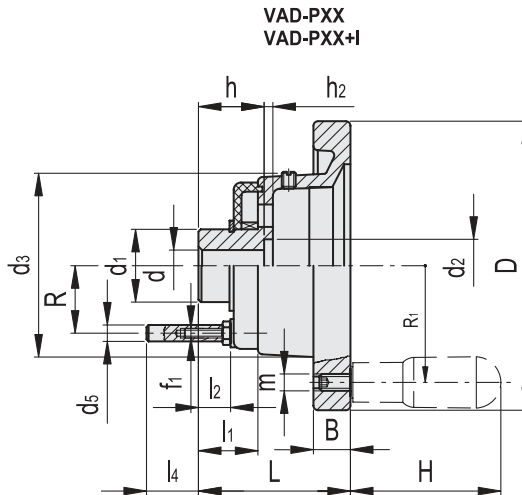
VAD-GXX+I

| Code | Description | D | L | dh7 | h | d1 | d2 | d3 | h2 | l1 | B | H | m | R1 | ⚖️ | Handwheel/indicator combinations |
|----------|---------------------|-----|------|-----|------|----|------|-----|-----|------|------|----|-----|------|------|----------------------------------|
| CE.28511 | VAD.80-GXX1 A-10+I | 80 | 48 | 10 | 16 | 26 | 20.5 | 56 | 3.5 | 15.5 | 13 | 45 | M6 | 33.5 | 200 | GA01 - GA11 |
| CE.28561 | VAD.100-GXX1 A-10+I | 100 | 58 | 10 | 17 | 28 | 20.5 | 56 | 3.5 | 17.5 | 14 | 45 | M6 | 42.5 | 270 | GA01 - GA11 |
| CE.28611 | VAD.125-GXX2 A-12+I | 125 | 61 | 12 | 18 | 31 | 25.5 | 76 | 4 | 18 | 15 | 65 | M8 | 54 | 440 | GA02 - GA12 - GW12 |
| CE.28661 | VAD.160-GXX2 A-14+I | 160 | 68 | 14 | 20 | 36 | 28 | 78 | 4 | 19 | 18 | 80 | M10 | 71 | 705 | GA02 - GA12 - GW12 |
| CE.28711 | VAD.160-GXX5 A-14+I | 160 | 64 | 14 | 23.5 | 36 | 25.5 | 120 | 4 | 20 | 18 | 80 | M10 | 71 | 840 | GA05 |
| CE.28726 | VAD.200-GXX2 A-18+I | 200 | 75 | 18 | 24 | 42 | 33 | 79 | 4.5 | 21 | 20.5 | 90 | M10 | 89 | 1065 | GA02 - GA12 - GW12 |
| CE.28736 | VAD.250-GXX2 A-22+I | 250 | 81.5 | 22 | 28 | 48 | 37 | 80 | 4.5 | 24.5 | 23 | 90 | M10 | 113 | 1595 | GA02 - GA12 - GW12 |

Position indicators



| Conversion Table 1 mm = 0.039 inch | |
|---------------------------------------|------|
| D | |
| mm | inch |
| 80 | 3.15 |
| 100 | 3.94 |
| 125 | 4.92 |
| 160 | 6.30 |



METRIC

VAD-PXX

| Code | Description | D | L | dH7 | h | d1 | d2 | d3 | d5 | f1 | h2 | l1 | l2 | l4 | B | R | Δ | Handwheel/indicator combinations |
|----------|-------------------|-----|------|-----|------|----|------|-----|----|----|-----|------|------|------|----|------|-----|----------------------------------|
| CE.28502 | VAD.80-PXX1 A-10 | 80 | 55 | 10 | 22.5 | 20 | 20.5 | 56 | 6 | M4 | 3.5 | 18.5 | 11.5 | 13.6 | 13 | 19 | 205 | PA01 - PA11 |
| CE.28552 | VAD.100-PXX1 A-10 | 100 | 63.5 | 10 | 22.5 | 20 | 20.5 | 56 | 6 | M4 | 3.5 | 18.5 | 11.5 | 13.6 | 14 | 19 | 265 | PA01 - PA11 |
| CE.28602 | VAD.125-PXX2 A-12 | 125 | 65.5 | 12 | 22.5 | 32 | 22.5 | 76 | 6 | M4 | 4 | 19 | 12 | 13.1 | 15 | 28.5 | 450 | PA02 - PA12 - PW12 |
| CE.28652 | VAD.160-PXX2 A-14 | 160 | 71.5 | 14 | 23.5 | 32 | 25.5 | 78 | 6 | M4 | 4 | 20 | 13 | 12.1 | 18 | 28.5 | 680 | PA02 - PA12 - PW12 |
| CE.28702 | VAD.160-PXX5 A-14 | 160 | 64 | 14 | 23.5 | 32 | 25.5 | 120 | 6 | M4 | 4 | 20 | 13 | 12.1 | 18 | 28.5 | 760 | PA05 |

VAD-PXX+I

| Code | Description | D | L | dH7 | h | d1 | d2 | d3 | d5 | f1 | h2 | l1 | l2 | l4 | B | H | m | R | R1 | Δ | Handwheel/indicator combinations |
|----------|---------------------|-----|------|-----|------|----|------|-----|----|----|-----|------|------|------|----|----|-----|------|------|-----|----------------------------------|
| CE.28512 | VAD.80-PXX1 A-10+I | 80 | 55 | 10 | 22.5 | 20 | 20.5 | 56 | 6 | M4 | 3.5 | 18.5 | 11.5 | 13.6 | 13 | 45 | M6 | 19 | 33.5 | 230 | PA01 - PA11 |
| CE.28562 | VAD.100-PXX1 A-10+I | 100 | 63.5 | 10 | 22.5 | 20 | 20.5 | 56 | 6 | M4 | 3.5 | 18.5 | 11.5 | 13.6 | 14 | 45 | M6 | 19 | 42.5 | 300 | PA01 - PA11 |
| CE.28612 | VAD.125-PXX2 A-12+I | 125 | 65.5 | 12 | 22.5 | 32 | 22.5 | 76 | 6 | M4 | 4 | 19 | 12 | 13.1 | 15 | 65 | M8 | 28.5 | 54 | 520 | PA02 - PA12 - PW12 |
| CE.28662 | VAD.160-PXX2 A-14+I | 160 | 71.5 | 14 | 23.5 | 32 | 25.5 | 78 | 6 | M4 | 4 | 20 | 13 | 12.1 | 18 | 80 | M10 | 28.5 | 71 | 760 | PA02 - PA12 - PW12 |
| CE.28712 | VAD.160-PXX5 A-14+I | 160 | 64 | 14 | 23.5 | 32 | 25.5 | 120 | 6 | M4 | 4 | 20 | 13 | 12.1 | 18 | 80 | M10 | 28.5 | 71 | 840 | PA05 |