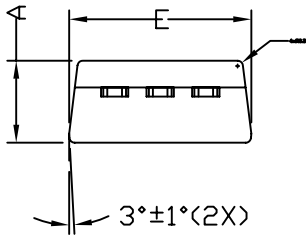
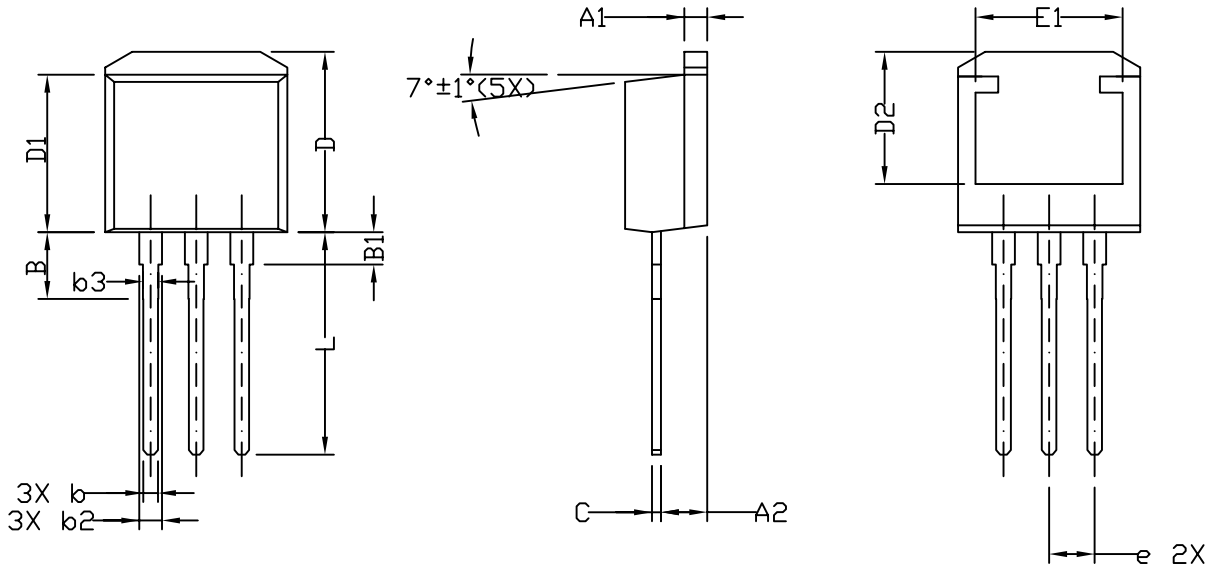


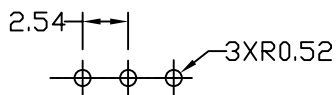


TO262 PACKAGE OUTLINE



| SYMBOL | DIMENSIONAL REQMTS |       |       | INCHES REQMTS |       |       |
|--------|--------------------|-------|-------|---------------|-------|-------|
|        | MIN                | NOM   | MAX   | MIN           | NOM   | MAX   |
| A      | 4.30               | 4.57  | 4.72  | 0.169         | 0.180 | 0.186 |
| A1     | 1.17               | 1.27  | 1.37  | 0.046         | 0.050 | 0.054 |
| A2     | 2.47               | 2.57  | 2.67  | 0.097         | 0.101 | 0.105 |
| B      | 3.55               | 3.72  | 3.90  | 0.140         | 0.146 | 0.154 |
| B1     | 1.65               | 1.80  | 2.00  | 0.065         | 0.071 | 0.079 |
| b      | 0.69               | 0.813 | 0.94  | 0.027         | 0.032 | 0.037 |
| b2     | 1.17               | 1.27  | 1.45  | 0.046         | 0.050 | 0.057 |
| b3     | 0.74               | 0.86  | 0.91  | 0.029         | 0.034 | 0.036 |
| c      | 0.48               | 0.50  | 0.60  | 0.019         | 0.020 | 0.024 |
| D      | 9.80               | 10.05 | 10.30 | 0.386         | 0.396 | 0.406 |
| D1     | 8.64               | 8.78  | 9.65  | 0.340         | 0.346 | 0.380 |
| D2     | 7.12               | 7.37  | 7.62  | 0.280         | 0.290 | 0.300 |
| e      | 2.54 BSC           |       |       | 0.100 BSC     |       |       |
| E      | 9.70               | 10.15 | 10.54 | 0.382         | 0.400 | 0.415 |
| E1     | 8.00               | 8.20  | 8.40  | 0.315         | 0.323 | 0.331 |
| L      | 12.27              | 12.40 | 13.48 | 0.483         | 0.488 | 0.531 |

RECOMMENDED LAND PATTERN



NOTE

1. CONTROLLING DIMENSION IS MILLIMETER.  
CONVERTED INCH DIMENSIONS ARE NOT NECESSARILY EXACT.