

SPECIFICATION
Of
TEMPERATURE SENSOR

PART NUMBER: **TT-PT3266-1-TUS**

No. of pages: 1

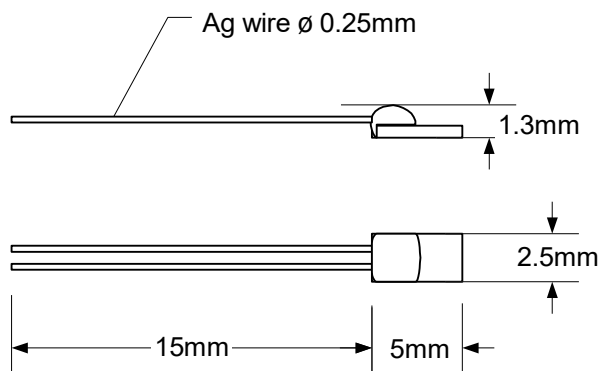
Date: **23.03.2017**

Revision: **00**

FEATURES:

Resistivity	3266 Ohm at 0°C
Tolerance at 7.2°C	3329.1 ± 2.4 Ohm
Tolerance at 21.11°C	3449.9 ± 2.4 Ohm
Tolerance at 35°C	3570.0 ± 2.4 Ohm
TCR	2620ppm/K
280 mK between T.-Range	0°C ÷ 35°C
Operating temperature range	-60°C ÷ 180°C

DRAWING:



UNITS: [mm]