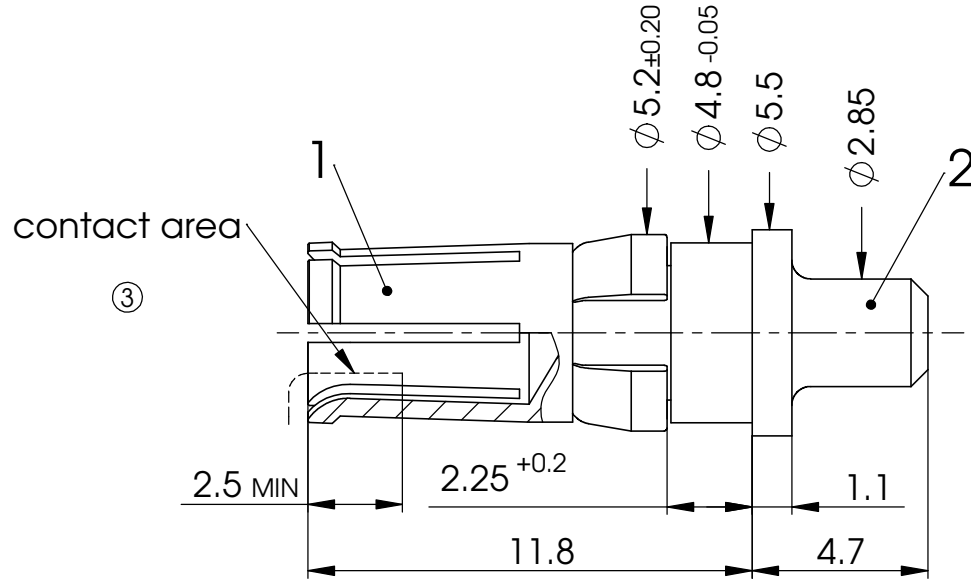
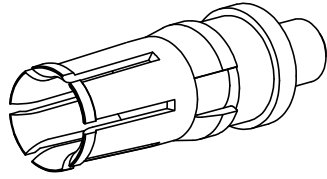


COMMENT:
 ALL RIGHTS ARE RESERVED BY US FOR THIS DRAWING. WITHOUT OUR PRIOR CONSENT,
 IT MAY NEITHER BE DUPLICATED NOR MADE AVAILABLE TO A THIRD PARTY,
 AND IT ALSO MAY NOT BE IMPROPERLY USED BY THE RECEIVER, OR A THIRD PARTY.



CURRENT		20 A	HIGH POWER CONTACT	SCALE	②
FOR		D-SUB		5:1	
DIMENSIONS IN MM			DRAWN	21-09-1993	NAME
MATERIAL + FINISH SEE EXTRA SHEET			CHECKED	08-08-2006	DBocan
UNLESS OTHERWISE SPECIFIED DIMENSIONS FOR REFERENCE ONLY			 www.fctgroup.com		PART NO.
3	08-08-2006	11330			FMP010S
REV.	DATE	INDEX	ORIGINAL: DIN A4-DRAWING AS A FILE	REPLACEMENT FOR:	3

②
 ③