

THIS DRAWING IS UNPUBLISHED. RELEASED FOR PUBLICATION
 © COPYRIGHT - By - ALL RIGHTS RESERVED.

REVISIONS					
P	LTR	DESCRIPTION	DATE	DWN	APVD
	G5	REVISED PER ECO-17-002273	10OCT2017	RK	AS

SPECIFICATIONS

MATERIALS

CASE: THERMOPLASTIC, UL94V-0, BLACK
 ACTUATOR: THERMOPLASTIC, UL94V-0, SEE TABLE
 COVER: NICKEL SILVER
 SEAL: SILICON RUBBER, BLACK
 CONTACT: STAINLESS STEEL, PLATING-SILVER
 TERMINAL: BRASS, PLATING-SILVER/NICKEL

ELECTRICAL

MAX CONTACT RATING: 50MILLIAMPS@24V DC
 MIN CONTACT RATING: 10MICROAMPS@1V DC
 INITIAL CONTACT RESISTANCE: 100 MILLIOHMS MAX, PER EIA RS-448, METHOD 1
 INSULATION RESISTANCE: 100 MEGOHMS MIN @ 100VDC PER EIA RS-186-13E
 DIELECTRIC STRENGTH: 500 VAC 50/60 HZ FOR 1 MINUTE
 CONTACT BOUNCE: 10 MILLISECOND MAX PER EIA-448-18, METHOD 15

MECHANICAL

ACTUATOR OPERATING FORCE: SEE TABLE
 ACTUATOR TRAVEL: 0.35±0.2mm

DURABILITY

UP TO 1,000,000 CYCLES, AT RATED LOAD PER EIA-RS-448, METHOD 8
 FINAL CONTACT RESISTANCE: 200 MILLIOHMS MAX
 CONTACT BOUNCE: 20 MILLISECONDS MAX
 ACTUATOR FORCE: WITHIN ±30% OF INITIAL VALUE

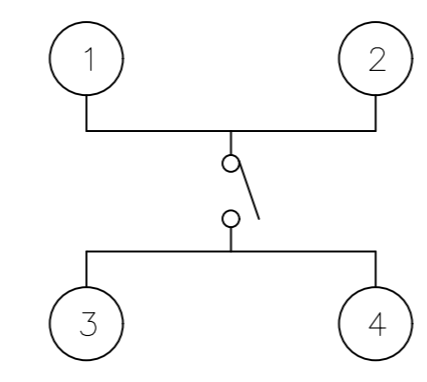
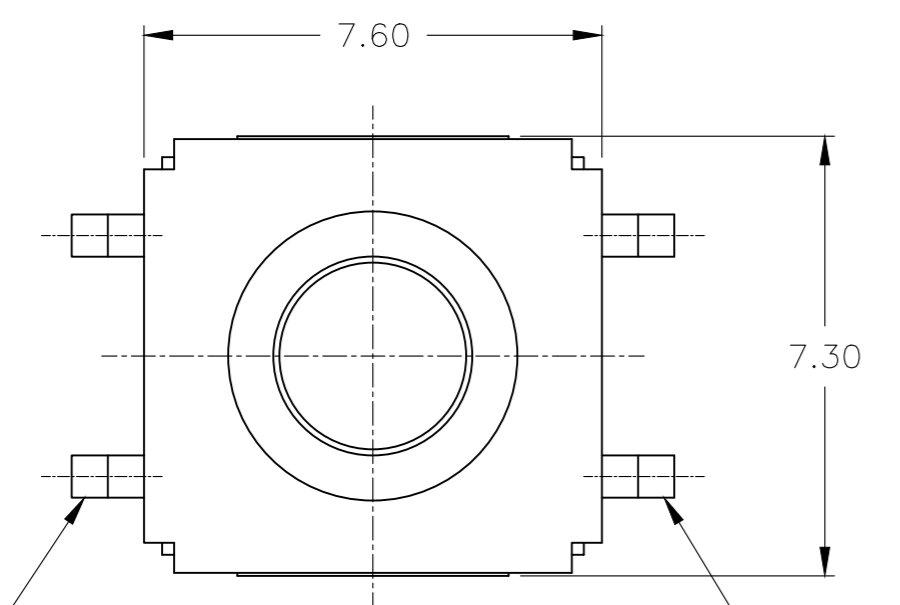
ENVIRONMENTAL

OPERATING TEMPERATURE RANGE: -35°C to +85°C
 STORAGE TEMPERATURE RANGE: -35°C to +85°C
 HUMIDITY: 96 HOURS PER EIA-186-1E
 INSULATION RESISTANCE: 10 MEGOHMS MIN
 DIELECTRIC STRENGTH: 250VAC
 CONTACT RESISTANCE: 100 MILLIOHMS MAX
 DRY HEAT TEST: 85°C FOR 96 HOURS PER IEC 60068-2-2, TEST B,
 NO CHANGE IN INITIAL ELECTRICAL AND MECHANICAL CHARACTERISTICS
 COLD TEST: -35°C FOR 96 HOURS PER IEC 60068-2-1, TEST A;
 NO CHANGE IN INITIAL ELECTRICAL AND MECHANICAL CHARACTERISTICS
 THERMAL CYCLING: 5 CYCLES, -35°C to +85°C
 HUMIDITY-TEMPERATURE CYCLING, EIA 364-31B, METHOD III
 CONTACT RESISTANCE 100 MILLIOHMS MAX
 RESISTANCE TO SOLDERING HEAT PER 109-201, COND B

SEALING PER IP67

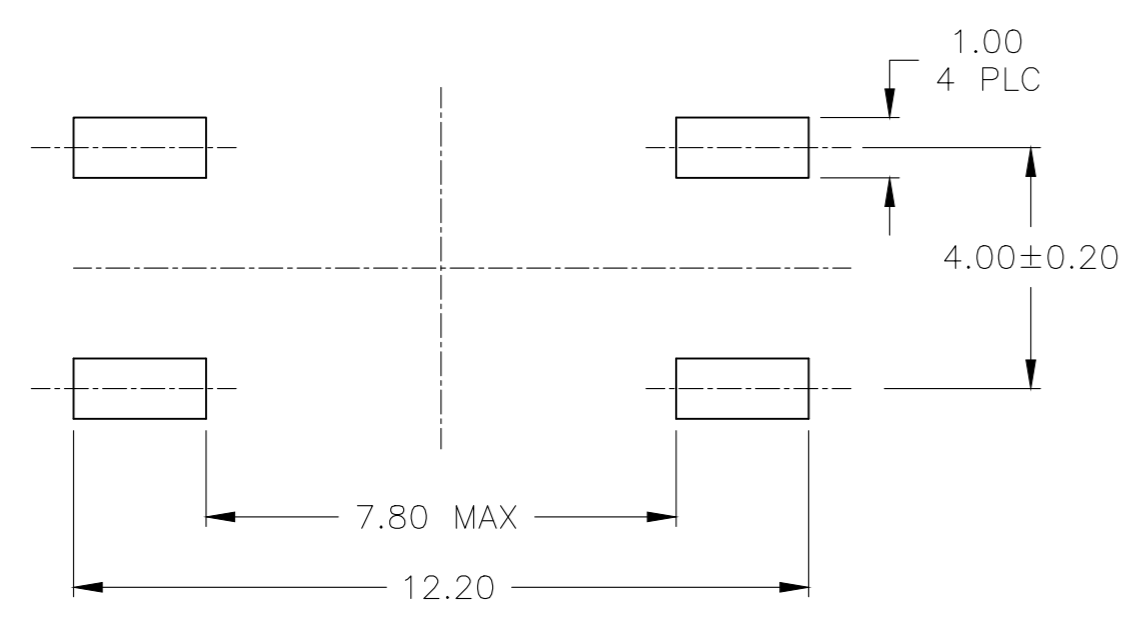
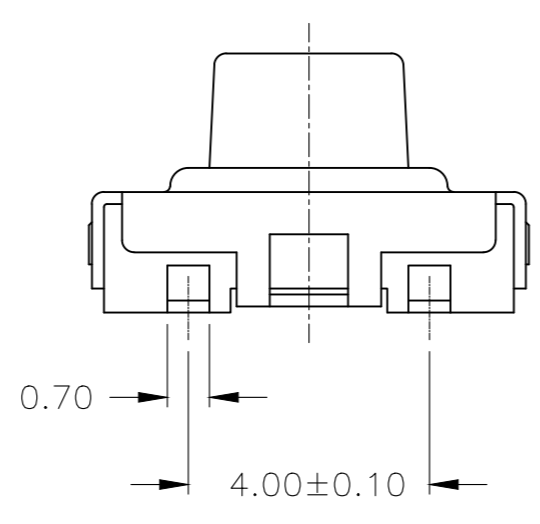
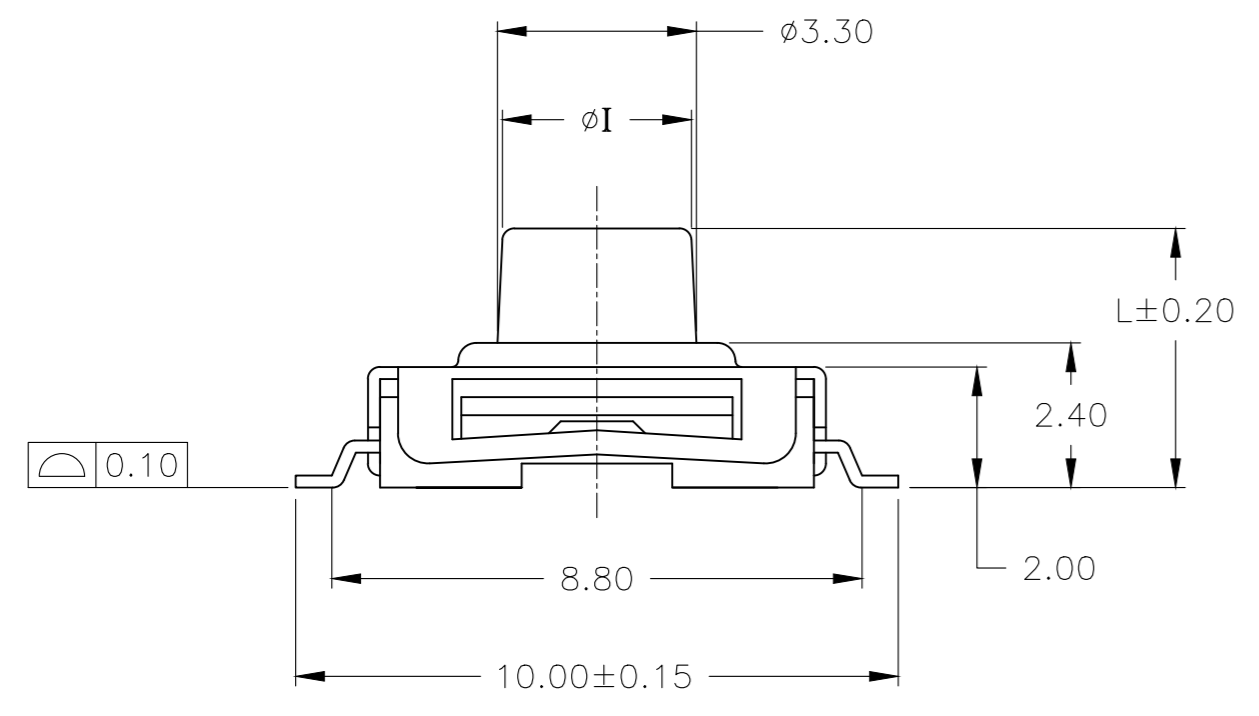
SOLDERABILITY: PER EIA-364-52, CLASS 1, CATEGORY 2

- 1 PARTS TO BE PACKAGED ON TAPE AND REEL PER EIA-481
- 2 ALL MATERIALS AND FINISHES SHALL COMPLY WITH EU DIRECTIVE 2002/95/EC OF 27JAN2003 (ROHS)



CIRCUIT DIAGRAM

TERMINAL NO. 3 TERMINAL NO. 4



P.C.B MOUNTING SOLDER LAND DIMENSION

1	T&R	Blue	260 +/-50gf	3.10mm	4.50mm	1571294-8
1	T&R	Ivory	160 +/-50gf	3.10mm	4.50mm	1571294-7
1	T&R	RED	260 +/-50gf	3.10mm	4.30mm	1571294-6
	BULK	RED	260 +/-50gf	3.10mm	4.30mm	1571294-5
1	T&R	Black	160 +/-50gf	3.10mm	5.00mm	1571294-4
	BULK	Black	160 +/-50gf	3.10mm	5.00mm	1571294-3
1	T&R	Black	160 +/-50gf	3.10mm	4.30mm	1571294-2
	BULK	Black	160 +/-50gf	3.10mm	4.30mm	1571294-1
	Packaging	Actuator Color	Operating force	DIM I	Dim L	PART NUMBER

THIS DRAWING IS A CONTROLLED DOCUMENT.		DWN R BROWN 09DEC02	TE Connectivity SWITCH ASSEMBLY, TACTILE, 6mm SEALED, SMT			
DIMENSIONS: mm		CHK M SARVER 09DEC02				
TOLERANCES UNLESS OTHERWISE SPECIFIED:		APVD M SARVER 09DEC02	NAME			
0 PLC ± -		PRODUCT SPEC	SIZE			
1 PLC ± -		APPLICATION SPEC	CAGE CODE			
2 PLC ± 0.30			DRAWING NO			
3 PLC ± -			RESTRICTED TO			
4 PLC ± -			SCALE			
ANGLES ± -			SHEET			
FINISH		WEIGHT 0.000000	REV			
		CUSTOMER DRAWING		SCALE 8:1		SHEET 1 of 1