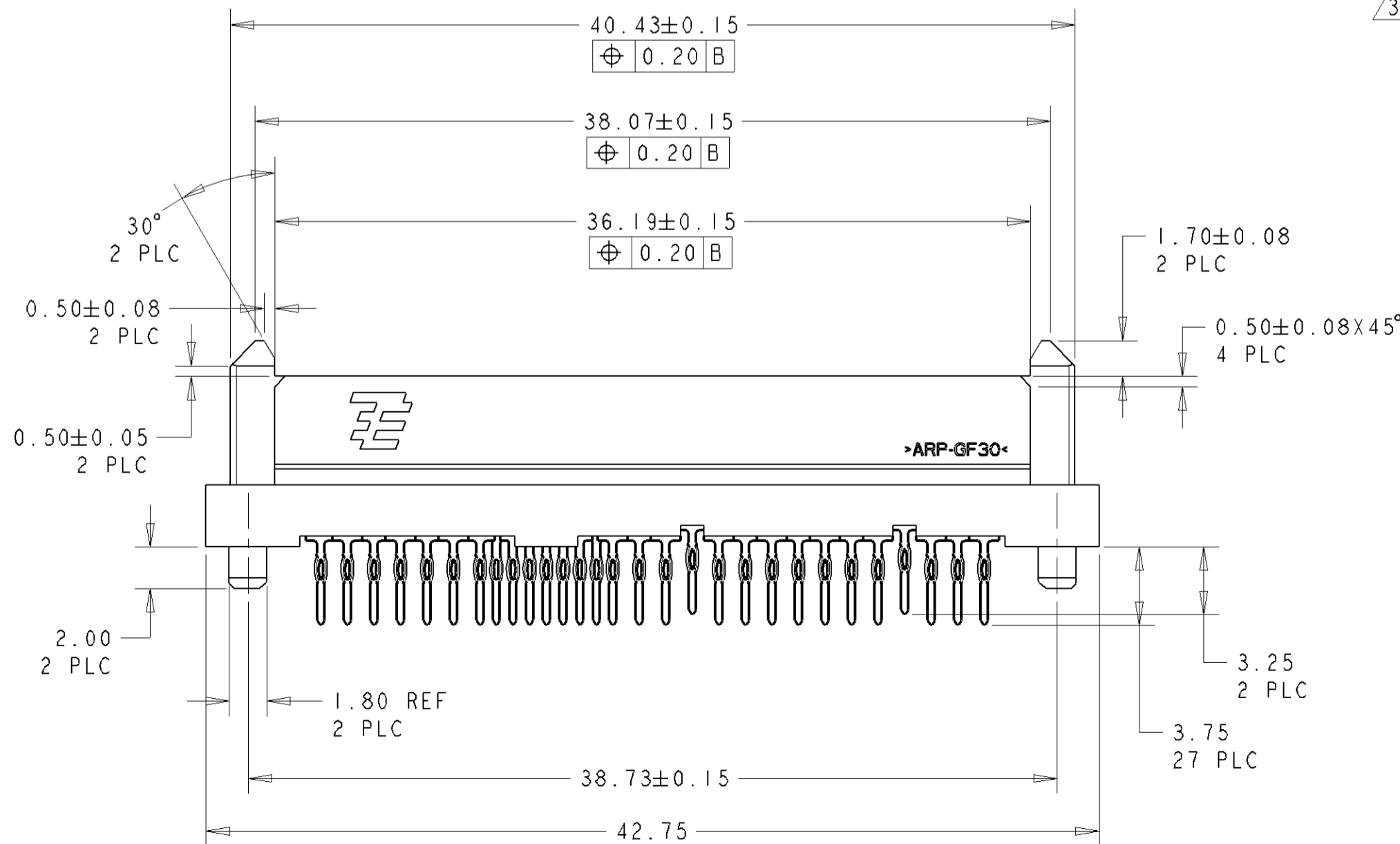
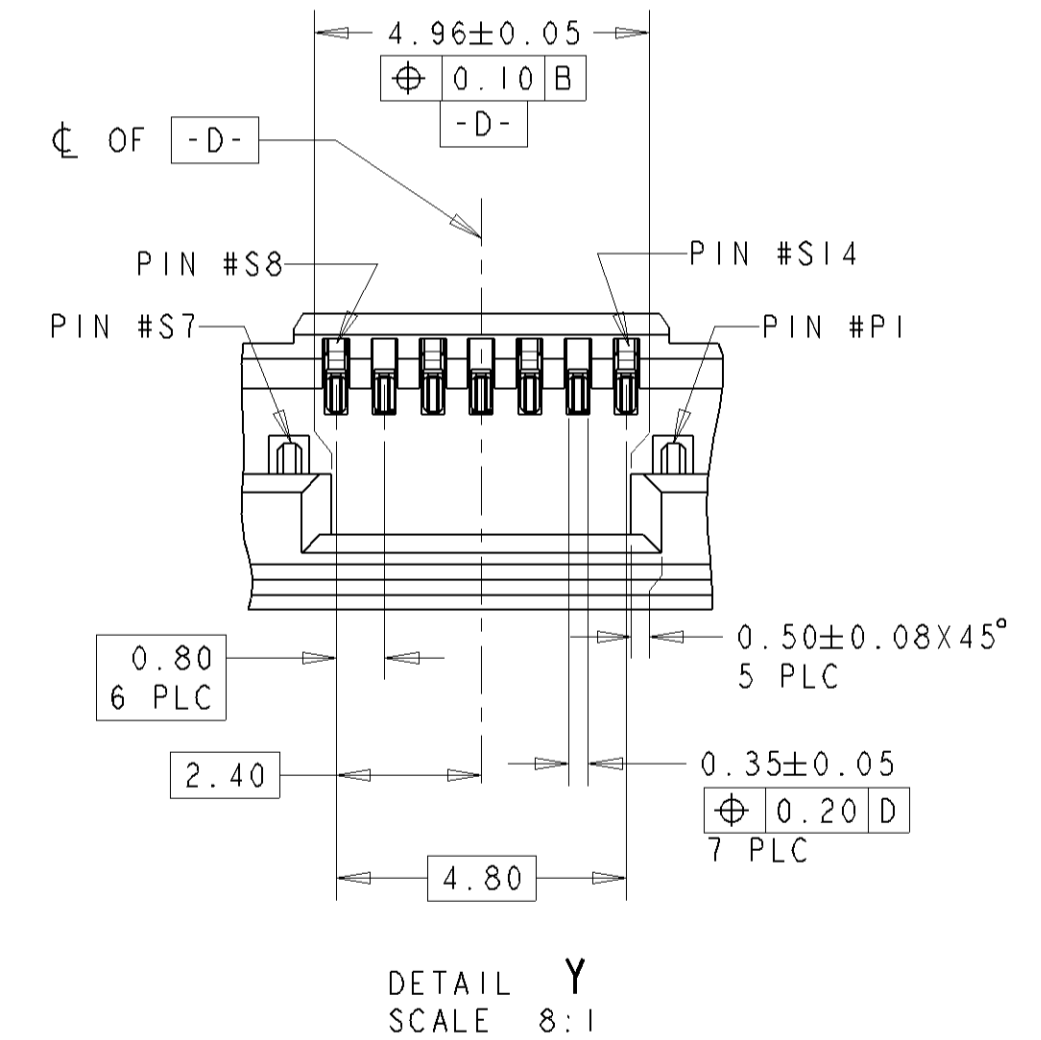
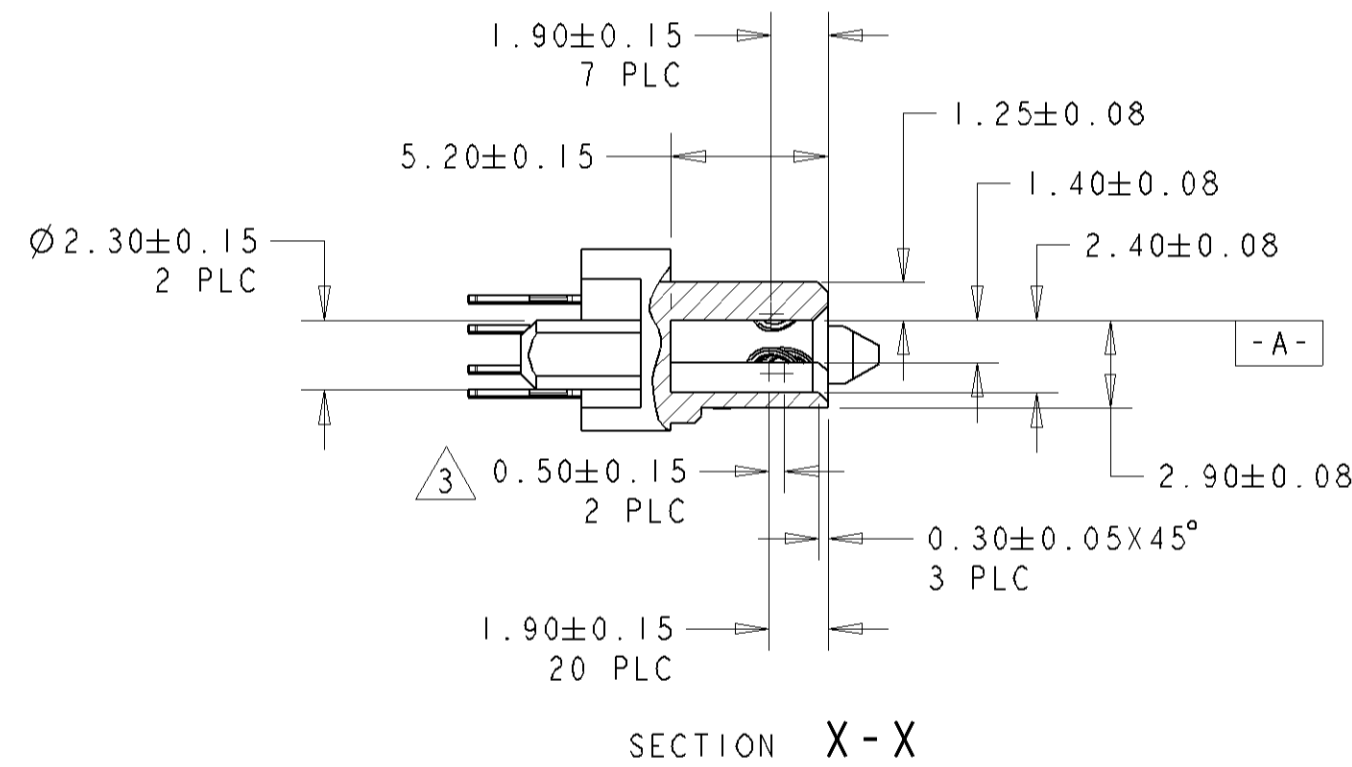
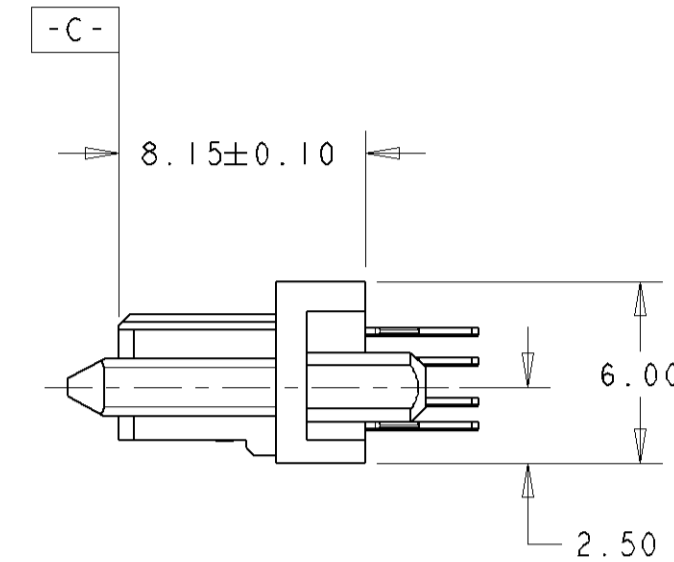
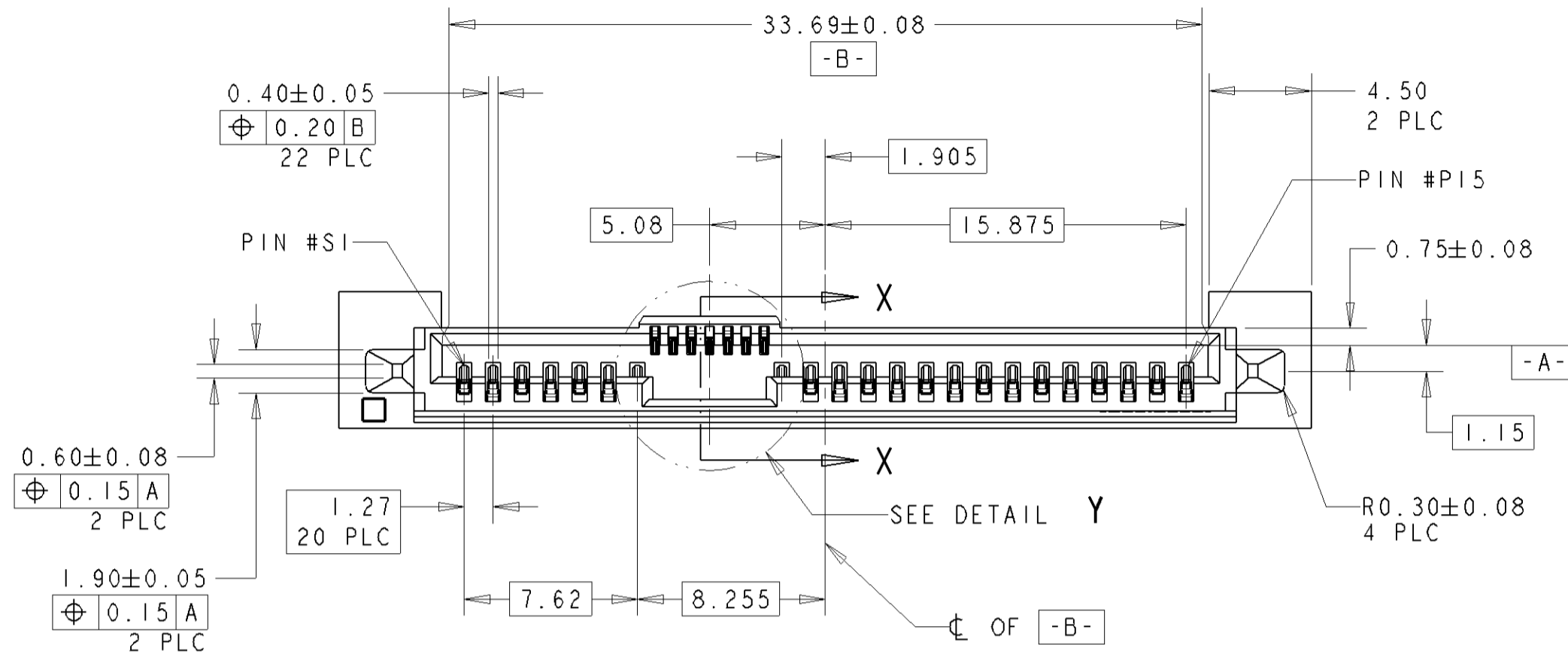


THIS DRAWING IS UNPUBLISHED. RELEASED FOR PUBLICATION .19
 BY AMP INCORPORATED. ALL RIGHTS RESERVED.

LOC	DIST	REVISIONS					
		P	LTR	DESCRIPTION	DATE	OWN	APVD
DY	-	B		REVISED ECR-10-012418	11 JUN 10	PTY	LSF

NOTES:

- 1 MATERIAL:
HOUSING: HIGH TEMP THERMOPLASTIC, UL94V-0,
COLOR: BLACK
CONTACT: COPPER ALLOY
BOARDLOCK: COPPER ALLOY
- 2 FINISH:
CONTACT AREA: MIN 0.76um GOLD PLATING
SOLDERTAIL: MIN 2.54um MATTE TIN PLATING
UNDERPLATE: MIN 1.27um NICKEL PLATING
- 3 PIN #P4 AND #P12 ONLY

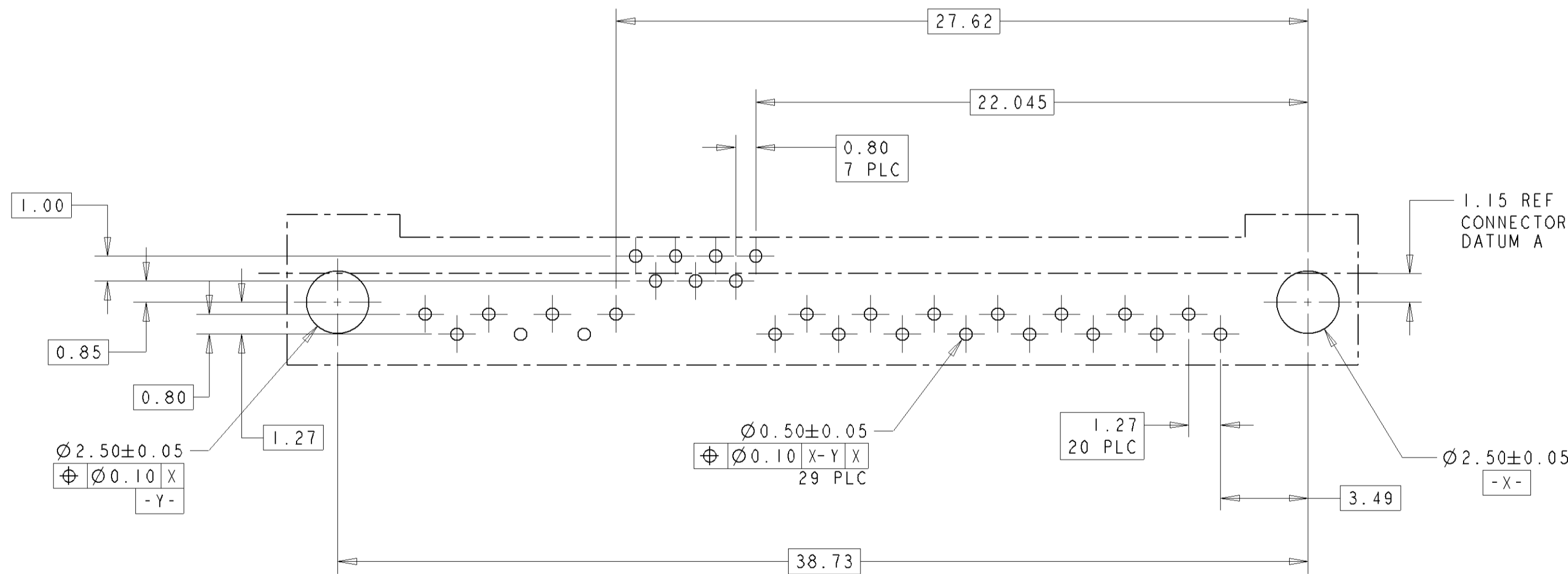
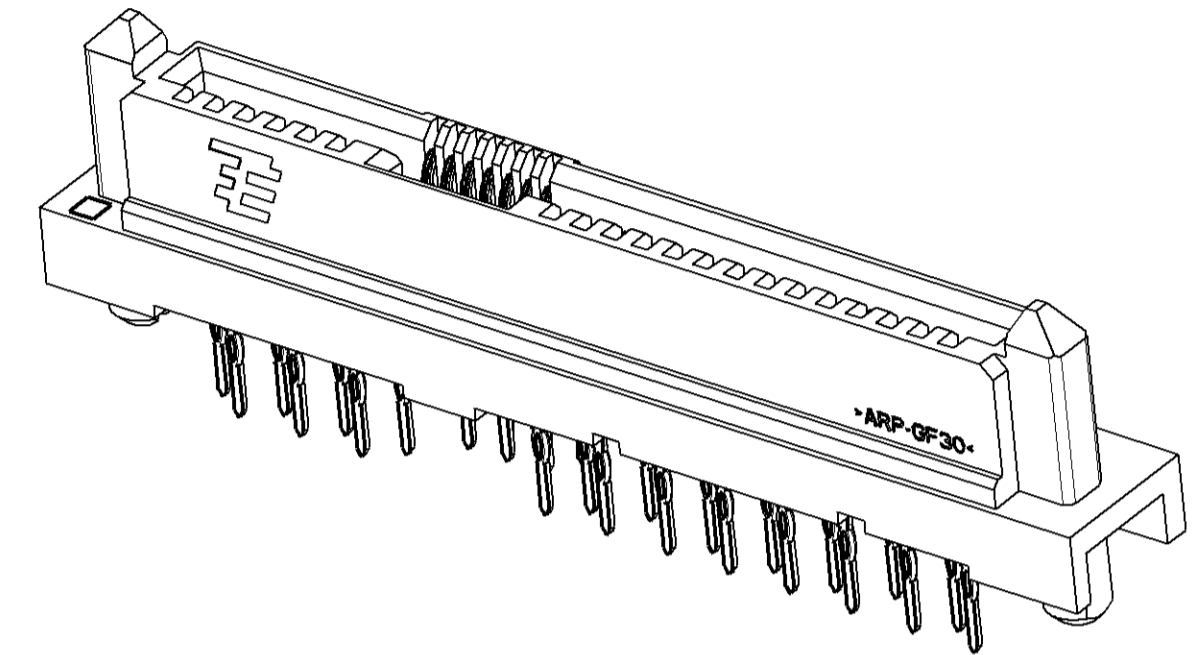


1735368-1
PART NUMBER

THIS DRAWING IS A CONTROLLED DOCUMENT FOR AMP INCORPORATED. IT IS SUBJECT TO CHANGE AND THE CONTROLLING ENGINEERING ORGANIZATION SHOULD BE CONTACTED FOR THE LATEST REVISION.		OWN SK LEAW 31 JUL 2006	Tyco Electronics Singapore Pte. Ltd.
DIMENSIONS: mm		CHN SF LEONG 31 JUL 2006	
TOLERANCES UNLESS OTHERWISE SPECIFIED:		APVD SF LEONG 31 JUL 2006	NAME SAS BACKPLANE RECEPTACLE, VERTICAL, PRESS-FIT
0 PLC ±		PRODUCT SPEC 108-51067	
1 PLC ±		APPLICATION SPEC 114-51013	SIZE A2
2 PLC ±0.20		WEIGHT -	CAGE CODE 00779
3 PLC ±		CUSTOMER DRAWING	DRAWING NO C=1735368
4 PLC ±			SCALE 4:1
ANGLES ±3°			SHEET 1 OF 2
FINISH			REV B

THIS DRAWING IS UNPUBLISHED. RELEASED FOR PUBLICATION .19
 © COPYRIGHT 19 BY AMP INCORPORATED. ALL RIGHTS RESERVED.

LOC	DIST	REVISIONS			
P	LTR	DESCRIPTION	DATE	DWN	APVD
DY	-	SEE SHEET 1	-	-	-



RECOMMENDED PCB LAYOUT
 MIN BOARD THICKNESS: 1.44mm
 SCALE 6:1

THIS DRAWING IS A CONTROLLED DOCUMENT FOR AMP INCORPORATED. IT IS SUBJECT TO CHANGE AND THE CONTROLLING ENGINEERING ORGANIZATION SHOULD BE CONTACTED FOR THE LATEST REVISION.		DWN SK LEAW 31 JUL 2006	Tyco Electronics Singapore Pte. Ltd.
DIMENSIONS: mm		CHK SF LEONG 31 JUL 2006	
TOLERANCES, UNLESS OTHERWISE SPECIFIED:		APVD SF LEONG 31 JUL 2006	NAME SAS BACKPLANE RECEPTACLE, VERTICAL, PRESS-FIT
0 PLC ± 1 PLC ± 2 PLC ±0.20 3 PLC ± 4 PLC ± ANGLES ±3° FINISH -		PRODUCT SPEC 108-51067	
MATERIAL -		APPLICATION SPEC 114-51013	SIZE A2
		WEIGHT -	CAGE CODE 00779
		CUSTOMER DRAWING	DRAWING NO C=1735368
			SCALE 4:1 SHEET 2 OF 2 REV B