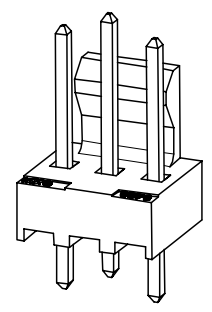
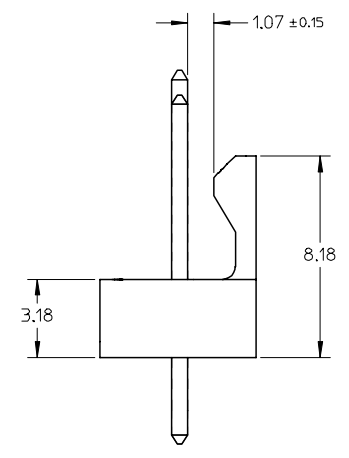
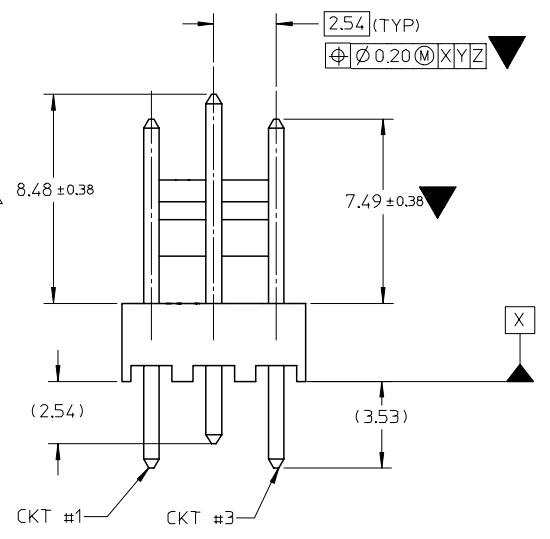
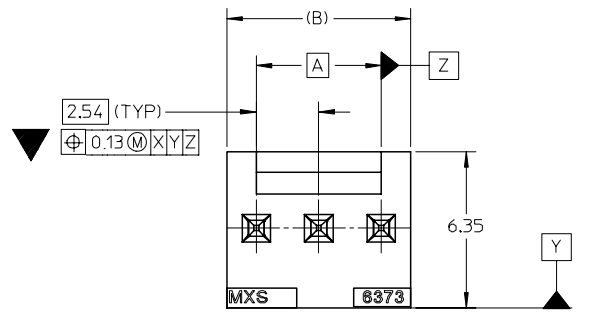


10 9 8 7 6 5 4 3 2 1

ASSEMBLY	CKT	CKT # WITH LONGER PINS $\triangle$	QUANTITY PER BAG	DIM. A	DIM. B
45661-0003	3	2	500	5.08	7.47
45661-0006	6	1, 6	300	12.70	15.09



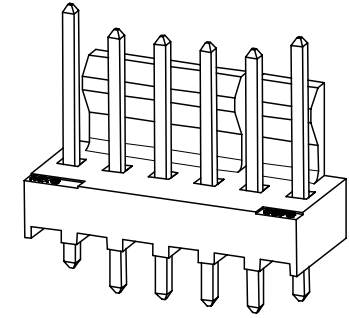
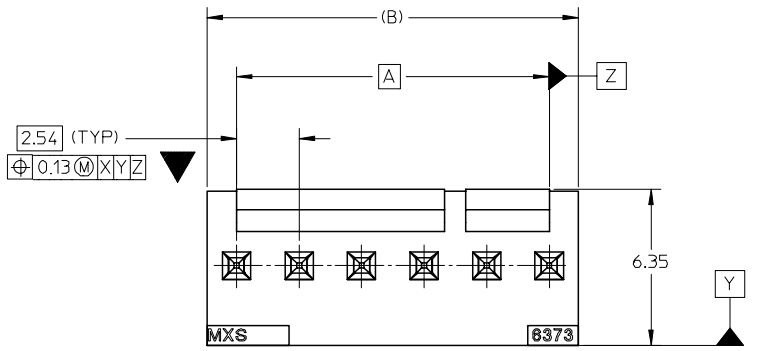
3CKT ASSEMBLY

- NOTES:
- MATERIAL: NYLON, UL 94V-0, COLOR: WHITE
  - FINISH: 5.00µm MIN. TIN OVER 1.25µm MIN. NICKEL UNDERPLATE OVERALL.
  - PRODUCT SPECIFICATION: PS-10-07
  - $\triangle$  REFER TO TABLE FOR FIRST MATE LAST BREAK PIN'S POSITION.

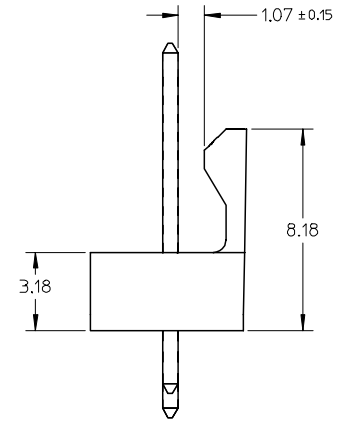
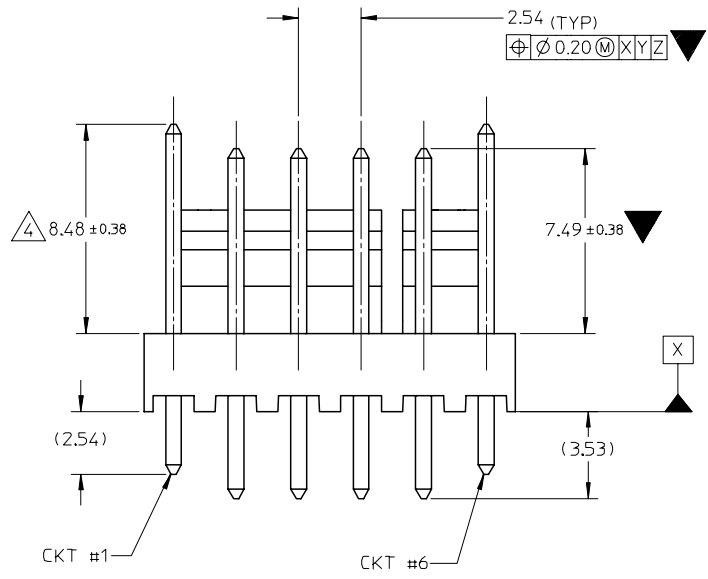
EC NO: S2006-0696 DRWNS:KLI IM01 2005/12/30 CHKD:BOKOK 2006/01/03 APPR:PATEY 2006/01/03	DESCRIPTION REV	QUALITY SYMBOLS $\nabla=3$ $\nabla C=0$	GENERAL TOLERANCES (UNLESS SPECIFIED)		DIMENSION STYLE MM ONLY		SCALE NTS	DESIGN UNITS METRIC	$\triangle$ THIRD ANGLE PROJECTION		
			mm	INCH	DRAWN BY	DATE	KK 100 HEADER FRLK WITH MULTIPLY MATING				
		4 PLACES	± ---	± ---	XSAMIEC	2003/10/06	MOLEX INCORPORATED				
		3 PLACES	± ---	± ---	CHECKED BY	DATE					
2 PLACES	± 0.25	± ---	MARGULIS	2003/10/06	APPROVED BY MARGULIS		DATE	DOCUMENT NO. SD-45661-003			
1 PLACE	± 0.38	± ---			MATERIAL NO. SEE TABLE		SHEET NO. 1 OF 2				
DRAFT WHERE APPLICABLE MUST REMAIN WITHIN DIMENSIONS			ANGULAR ± 3 °		SIZE A3		THIS DRAWING CONTAINS INFORMATION THAT IS PROPRIETARY TO MOLEX INCORPORATED AND SHOULD NOT BE USED WITHOUT WRITTEN PERMISSION				

9 8 7 6 5 4 3 2 1

10 9 8 7 6 5 4 3 2 1



6CKT ASSEMBLY



EC NO: S2006-0696 DRWNS:SKL1M01 2005/12/30 CHKD:BOBOK 2006/01/03 APPR:PATEY 2006/01/03	QUALITY SYMBOLS ▽=3 ◻=0	GENERAL TOLERANCES (UNLESS SPECIFIED)		DIMENSION STYLE MM ONLY		SCALE NTS	DESIGN UNITS METRIC	THIRD ANGLE PROJECTION			
		4 PLACES ± --- ± ---	3 PLACES ± --- ± ---	2 PLACES ± 0.25 ± ---	1 PLACE ± 0.38 ± ---	ANGULAR ± 3 °	DRAWN BY KSAMIEC	DATE 2003/10/06	KK 100 HEADER FRLK WITH MULTIPLY MATING		
		DRAFT WHERE APPLICABLE MUST REMAIN WITHIN DIMENSIONS					CHECKED BY MARGULIS	DATE 2003/10/06	MOLEX INCORPORATED		
		SEE TABLE					APPROVED BY MARGULIS	DATE 2003/10/06	MATERIAL NO.	DOCUMENT NO. SD-45661-003	SHEET NO. 2 OF 2

9 8 7 6 5 4 3 2 1