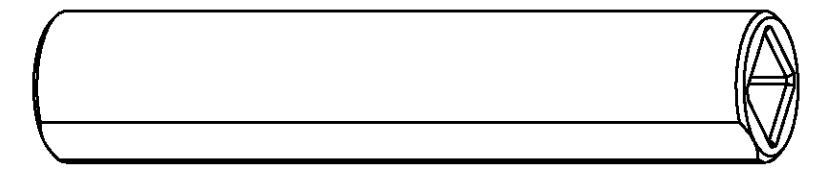


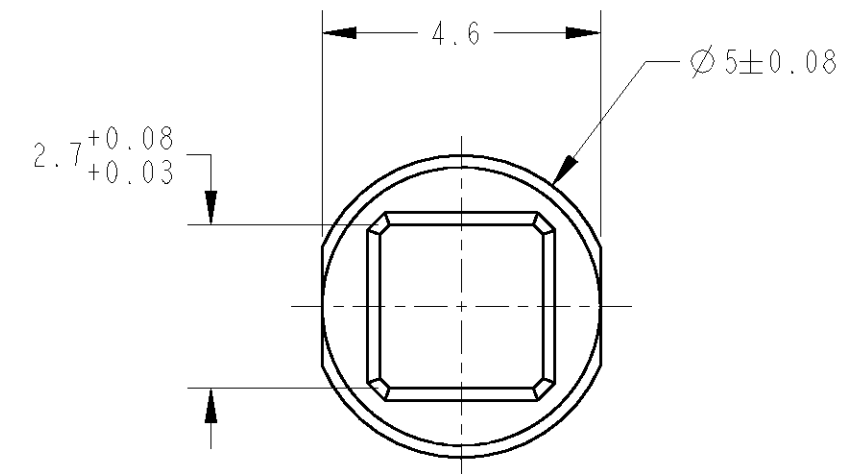
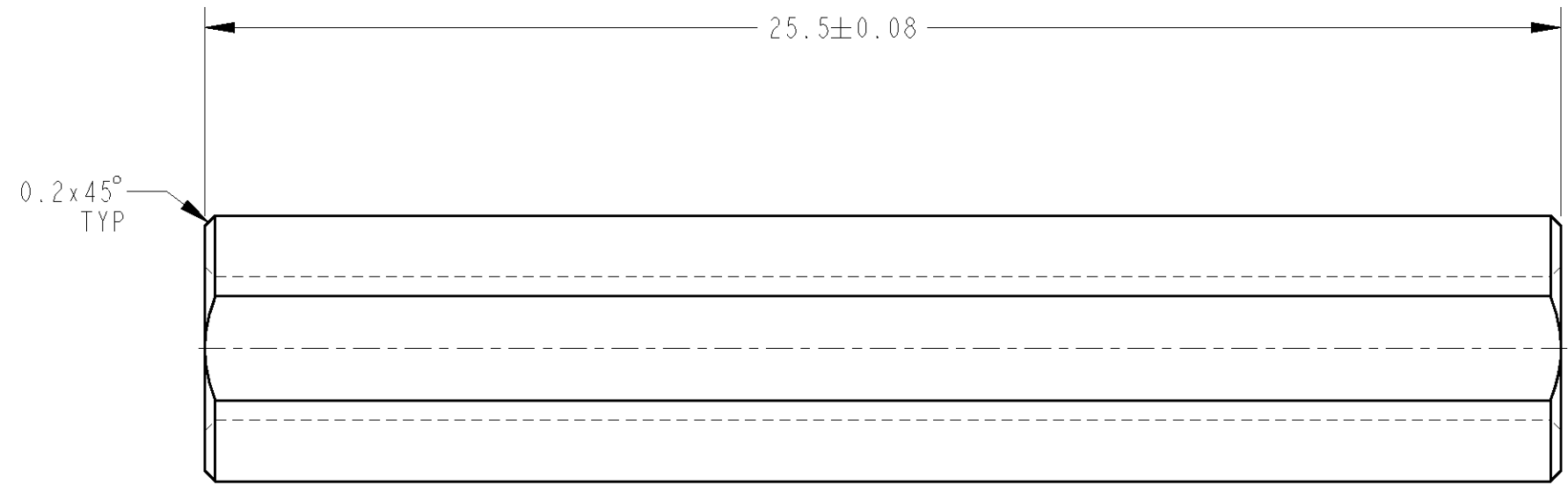
THIS DRAWING IS UNPUBLISHED. RELEASED FOR PUBLICATION 2003
 © COPYRIGHT 2003 BY TYCO ELECTRONICS CORPORATION. ALL RIGHTS RESERVED.

LOC	DIST	REVISIONS					
		P	LTR	DESCRIPTION	DATE	DWN	APVD
J	-	0		RELEASED(FJ00-2628-02)	14DEC2002	M.K	Y.K

-1:AS SHOWN
本図



SCALE 4:1



1. MATERIAL: ZINC ALLOY(DIECAST)
 2. FINISH: OLL OVER NICKEL PLATING 1.27µmMIN

<small>THIS DRAWING IS A CONTROLLED DOCUMENT FOR TYCO ELECTRONICS CORPORATION IT IS SUBJECT TO CHANGE AND THE CONTROLLING ENGINEERING ORGANIZATION SHOULD BE CONTACTED FOR THE LATEST REVISION.</small>		DWN M. Kimura 14DEC2002 CHK Y. KASHIWA 16DEC2002 APVD Y. KASHIWA 16DEC2002		Tyco Electronics AMP K.K. Kawasaki, Japan	
DIMENSIONS: 单位: 毫 mm		TOLERANCES UNLESS OTHERWISE SPECIFIED: 一般公差 0 PLC ±0.25 1 PLC ±0.2 2 PLC ±0.15 3 PLC ± 4 PLC ± ANGLES ±2		NAME 名称 BUSHING, SHAFT FOR TC ZIF CONNECTOR	
		MATERIAL 材料 ZINC ALLOY (ZDC1)		FINISH 仕上 SEE NOTE	
		WEIGHT 2g		SIZE A3 CAGE CODE 00779 DRAWING NO 1674568	
		CUSTOMER DRAWING		RESTRICTED TO SCALE 8:1 SHEET 1 OF 1 REV 0	