



ANATECH ELECTRONICS INC
RF & Microwave Filters & Products

128 MHz LC Band Pass Filter

Part Number: AE128B5454



Electrical Specifications

Center Frequency: 128 MHz
3dB Passband: 107.7-152.5 MHz
Insertion Loss: 3.0dB Max.
Return Loss: 14.0dB Min.
Rejection1: 40 dB Min @ 91 MHz
Rejection2: 40 dB Min @180 MHz
Input/output Impedance: 50 Ohms
Power Handling: 10 W

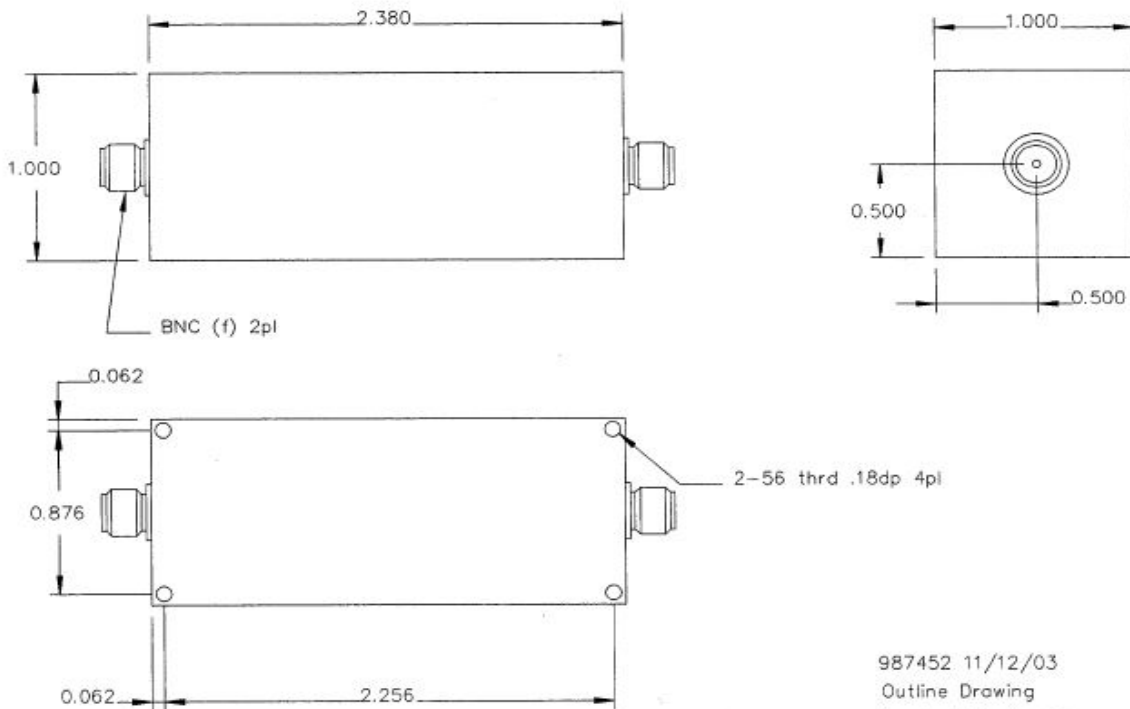
Mechanical

Mounting Method: Threaded Holes
Connector Type: SMA(F)
Dimensions: 2.38" X 1.0" x 1.0".

Environmental

Operating Temperature: -25°C to +70°C
Storage Temperature: -40°C to +90°C
Shock: 10 G. 11ms
Vibration: 10 G. 5 to 200Hz

Outline Drawing:



987452 11/12/03
Outline Drawing
Anatech Electronics
(987007)

Tolerance: +/-0.01 inches [+/- 0.3mm]

Angles: +/- 1 Deg.

*Tolerance as shown unless otherwise specified in the datasheet electrical specification tables above.

*When max dimensions are called out the above tolerances do not apply as long as it is under the max call out.

70 Outwater Lane Phone: (973) 772-4242
Garfield, NJ 07026 Fax : (973) 321-3941

Email: sales@anatechelectronics.com
Web: www.anatechelectronics.com



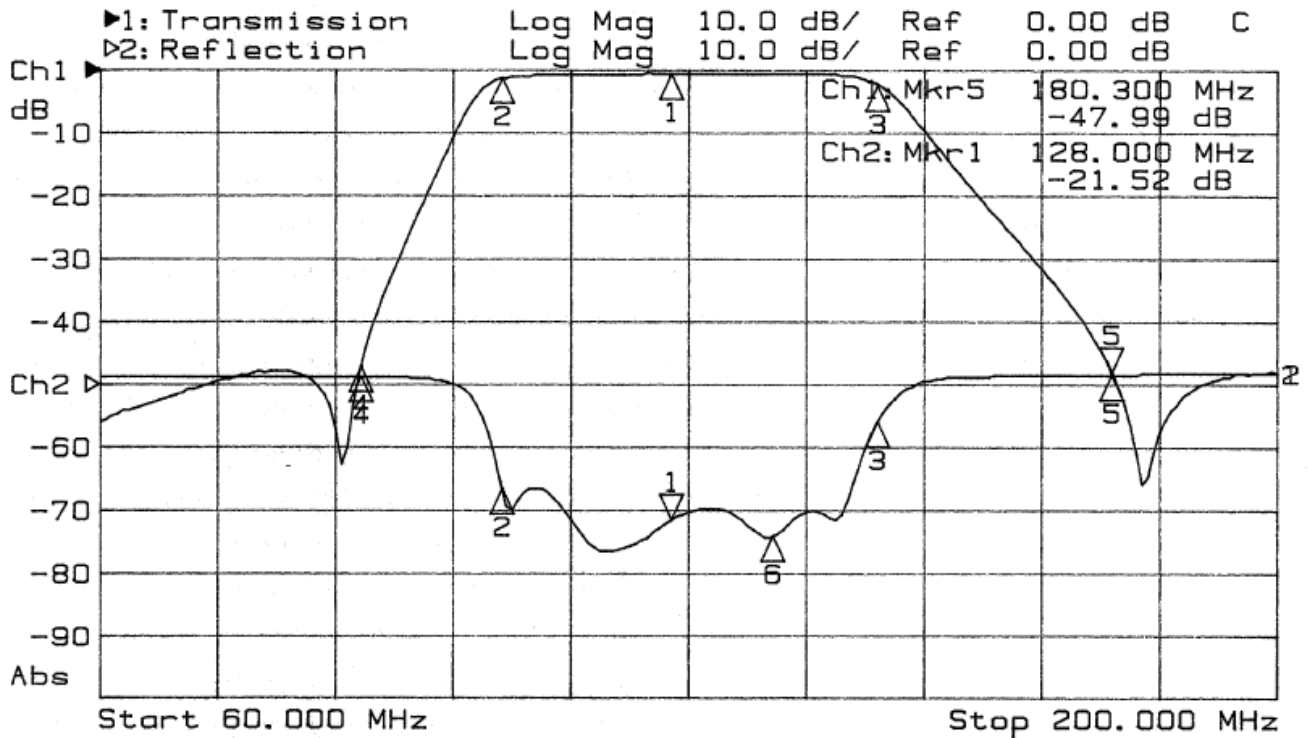
ANATECH ELECTRONICS INC
RF & Microwave Filters & Products

128 MHz LC Band Pass Filter

Part Number: AE128B5454



Response Plot:



1: Mkr (MHz)	dB	2: Mkr (MHz)	dB
1: 128.00	-0.48	1> 128.00	-21.52
2: 107.80	-1.25	2: 107.80	-16.66
3: 152.50	-2.35	3: 152.50	-5.82
4: 91.00	-47.25	4: 91.00	1.29
5> 180.30	-47.99	5: 180.30	1.65
		6: 140.00	-24.10