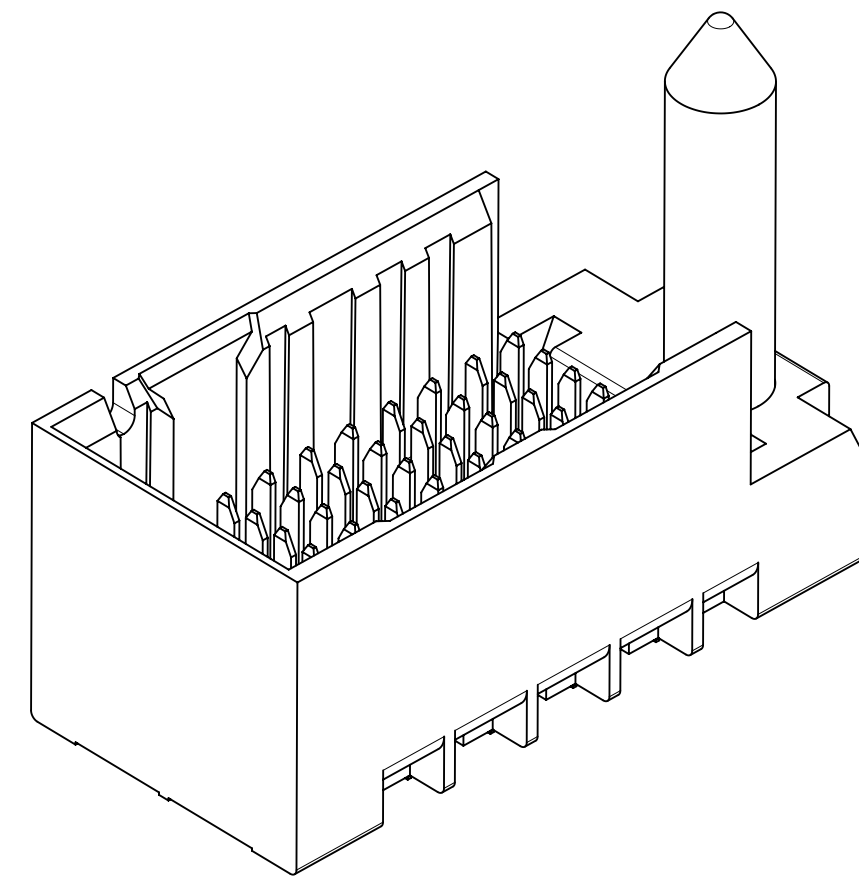


- NOTES:**
1. MATERIALS: HOUSING - LIQUID CRYSTAL POLYMER (LCP)  
GLASS-FILLED, UL94V-0  
TERMINALS - HIGH PERFORMANCE COPPER ALLOY
  2. FINISH: 30μINCH MIN GOLD IN CONTACT AREA.  
SELECTIVE MATTE TIN ON PCB TAILS, NICKEL OVERALL.
  3. REFER TO MOLEX PRODUCT SPECIFICATION PS-76060-999.  
FOR PERFORMANCE SPECIFICATIONS AND ADDITIONAL PCB INFORMATION.
  4. THIS PART CONFORMS TO CLASS B REQUIREMENTS OF  
MOLEX COSMETIC SPEC PS-45499-002.
  5. PARTS PACKAGED PER PK-70873-761
  6. SEE SHEETS 2 & 3 FOR PART NUMBERS AND BOARD RELATIONSHIPS.
  7. MATES WITH IMPACT DC SERIES NO. 171070.
  8. KEEP OUT ZONE FOR BP HOUSING LENGTH INCLUDES AN ADDITIONAL 1.0MM  
TO ACCOMMODATE FOR SPACE REQUIRED BY DC FRONT HOUSING.
  9. REFER TO MOLEX PCB ROUTING GUIDE AS-76060-990 FOR ANTIPAD AND  
ROUTING RECOMMENDATIONS.
  10. CONNECTORS SUPPLIED WITH A 2-56 UNC-2A SCREW.
  11. "THESE DIMENSIONS REPRESENT THE AREA NEEDED TO ACCOMMODATE CONNECTOR  
INSERTION AND REPAIR ON THE PC BOARD. THIS IS REFERRED TO AS THE  
"CONNECTOR KEEP OUT ZONE" AND DOES NOT REPRESENT THE ACTUAL PERIMETER  
OF THE CONNECTOR. WHEN LAYING OUT A PC BOARD FOR CONNECTORS STACKED  
TOGETHER, USE A 1.9mm PROGRESSION."
  12. MINIMUM CIRCUIT BOARD THICKNESS: 1.00

QUALITY SYMBOLS	THIS DRAWING CONTAINS INFORMATION THAT IS PROPRIETARY TO MOLEX ELECTRONIC TECHNOLOGIES, LLC AND SHOULD NOT BE USED WITHOUT WRITTEN PERMISSION		GENERAL TOLERANCES (UNLESS SPECIFIED)	DIMENSION UNITS	SCALE	<b>molex</b>
	▽ = 0	▽ = 0	ANGULAR TOL ± 0.5 °	MM	4:1	
▽ = 0	▽ = 0	▽ = 0	4 PLACES ±	DRWN BY	DATE	IMPACT 2-PAIR 85-OHM RIGHT GUIDED BACKPLANE SALES ASSEMBLY DRAWING
▽ = 0	▽ = 0	▽ = 0	3 PLACES ±	JBINGHAM	2012/02/08	
▽ = 0	▽ = 0	▽ = 0	2 PLACES ± 0.13	CHKD BY	DATE	PRODUCT CUSTOMER DRAWING
▽ = 0	▽ = 0	▽ = 0	1 PLACE ± 0.25	JLAURX	2012/02/08	
▽ = 0	▽ = 0	▽ = 0	0 PLACES ±	APPR BY	DATE	SERIES
▽ = 0	▽ = 0	▽ = 0	DRAFT WHERE APPLICABLE MUST REMAIN WITHIN DIMENSIONS	JLAURX	2013/02/07	MATERIAL NUMBER
▽ = 0	▽ = 0	▽ = 0		DRAWING SIZE	THIRD ANGLE PROJECTION	CUSTOMER
▽ = 0	▽ = 0	▽ = 0		C		GENERAL MARKET
						DOCUMENT NUMBER
						SD-171065-0003
						DOC TYPE
						PSD
						DOC PART
						001
						SHEET NUMBER
						1 OF 3

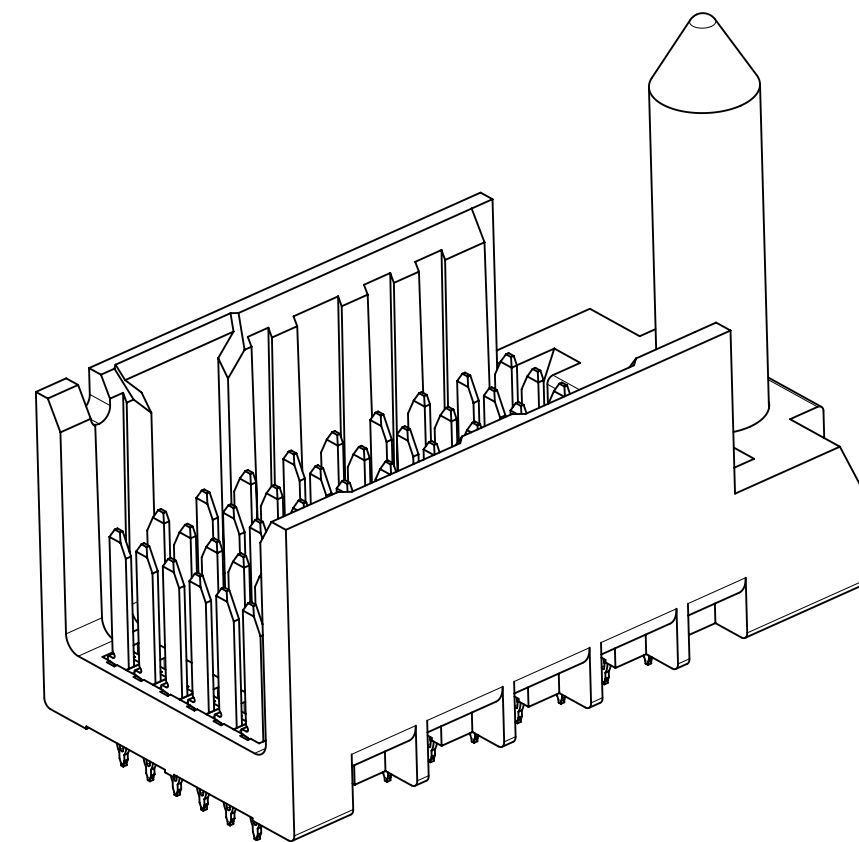
# PART NUMBER CHART

MATERIAL NUMBER	# OF COLUMNS	# OF DIFF PAIR	DIM "A"	DIM "B"	GUIDE RIGHT END WALL OPTION
171065-910*	10	20	26.9	17.10	
171065-960*	16	32	38.3	28.50	



GUIDE RIGHT  
END WALL  
OPTION

MATERIAL NUMBER	# OF COLUMNS	# OF DIFF PAIR	DIM "A"	DIM "B"	GUIDE RIGHT OPEN WALL OPTION
171065-510*	10	20	25.5	17.10	
171065-560*	16	32	36.9	28.50	



GUIDE RIGHT  
OPEN END  
OPTION

# PART NUMBER LOGIC

171065 - \* \* 0 \*

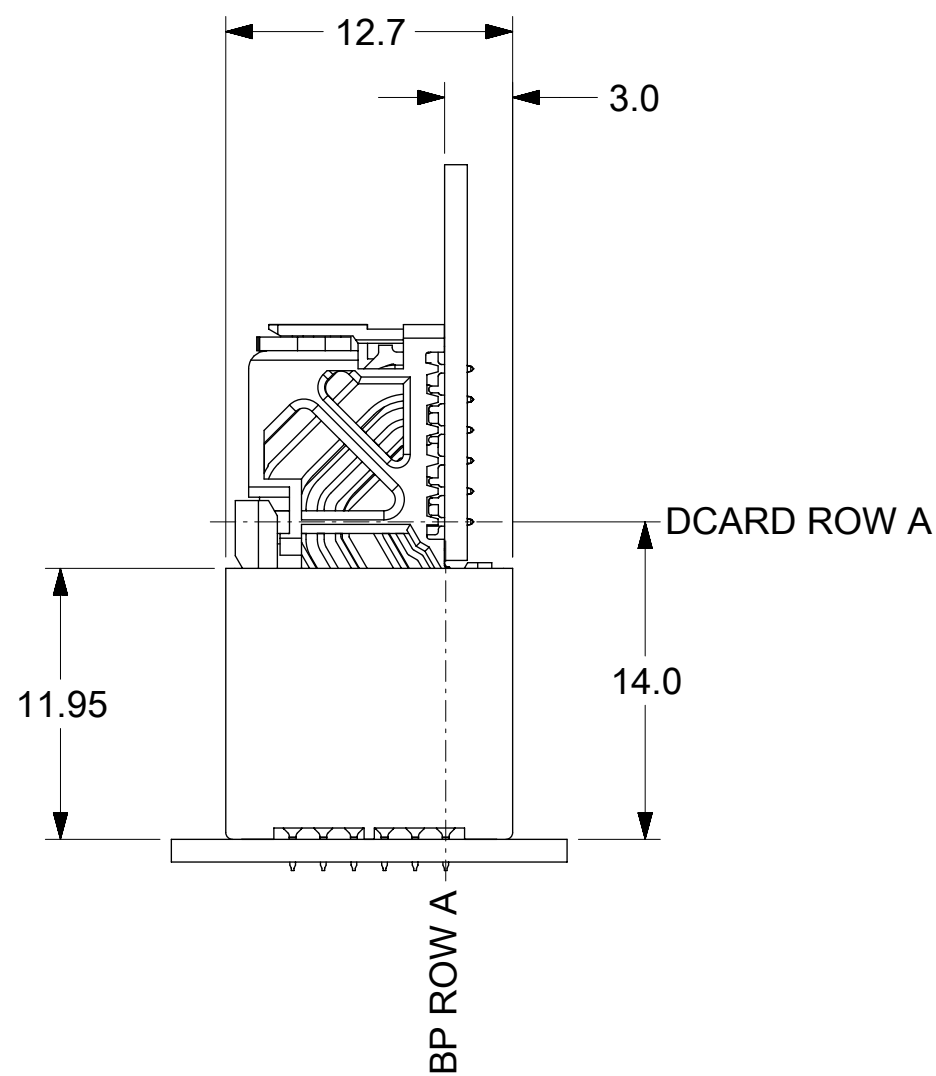
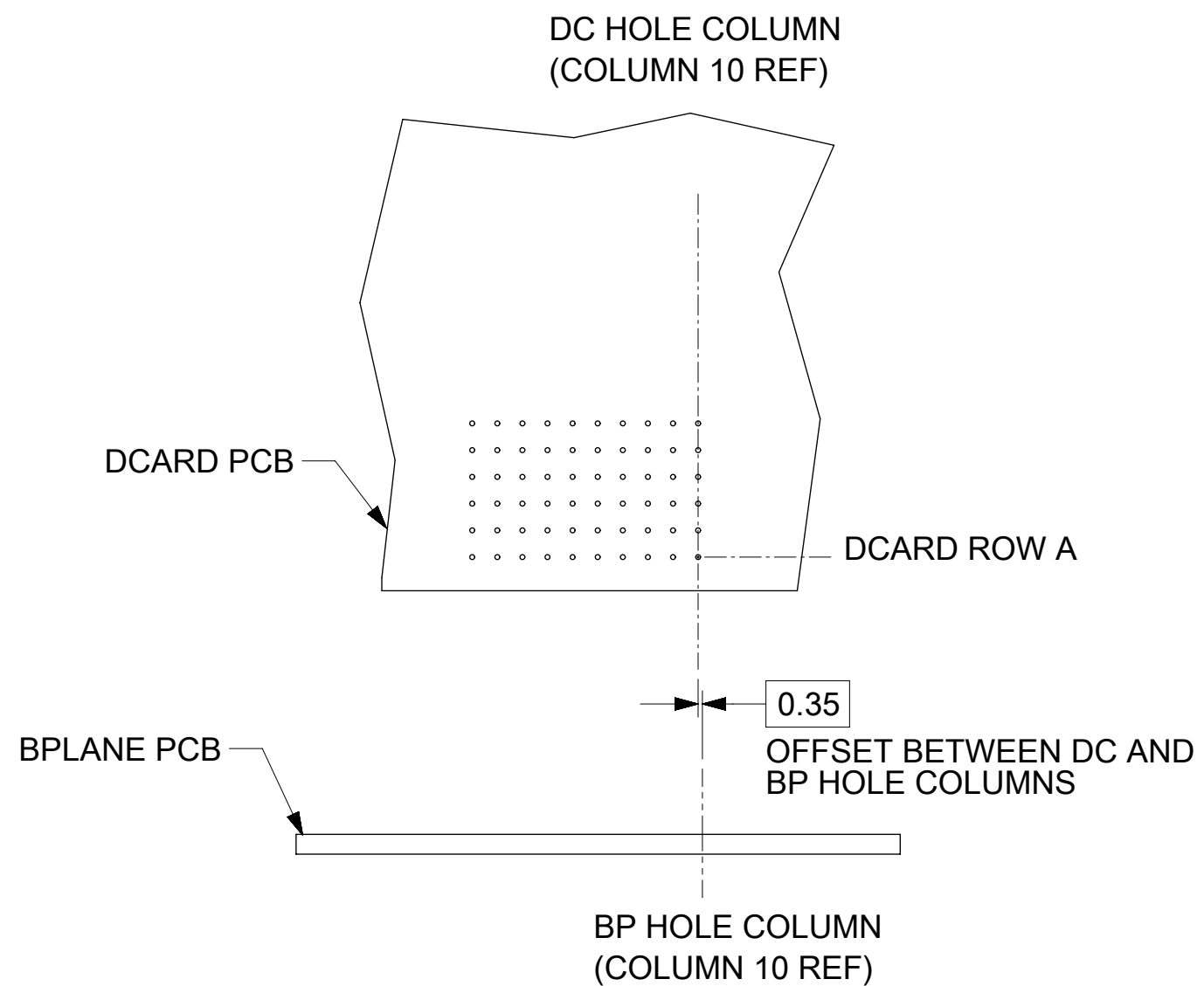
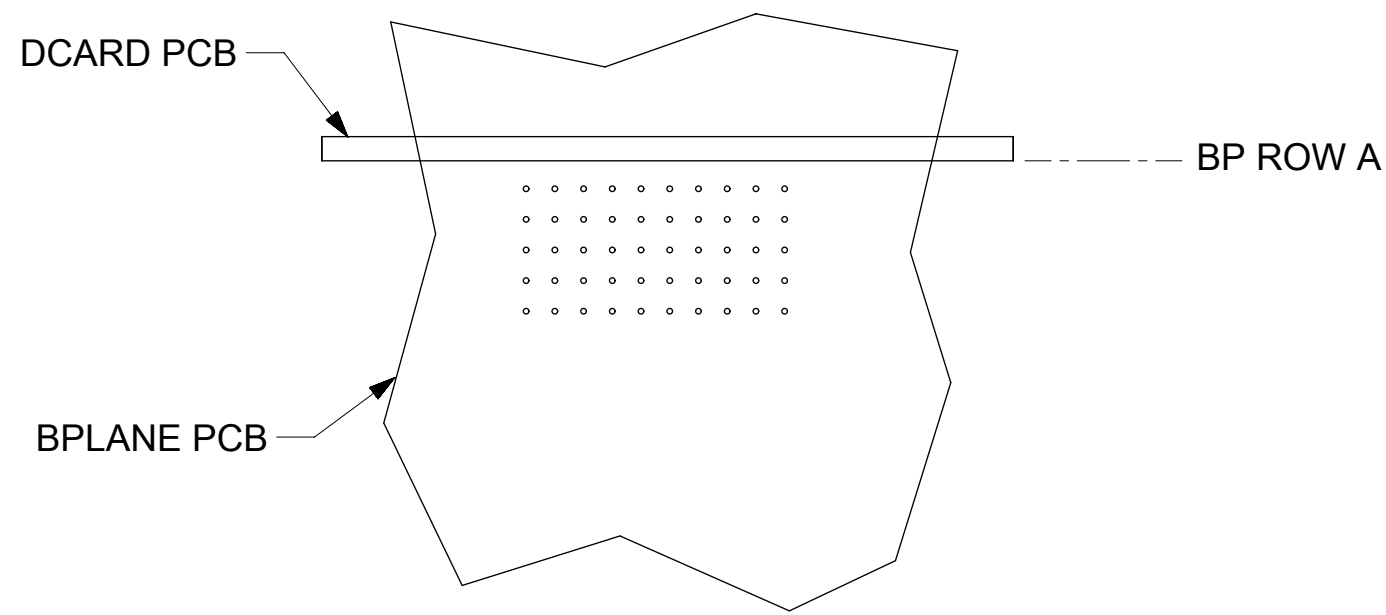
MODULE TYPE  
 5 = GUIDE RIGHT, MATTE TIN  
 9 = GUIDE RIGHT END WALL, MATTE TIN

# OF COLUMNS  
 1 = 10 COL  
 6 = 16 COL

PIN LENGTH (P)  
 3 = 4.50 (SHORT COMPLIANT, 0.46±0.05 PTH)  
 4 = 4.90 (SHORT COMPLIANT, 0.46±0.05 PTH)  
 5 = 5.50 (SHORT COMPLIANT, 0.46±0.05 PTH)  
 6 = 4.50 (MICRO COMPLIANT, 0.39±0.05 PTH)  
 7 = 4.90 (MICRO COMPLIANT, 0.39±0.05 PTH)  
 8 = 5.50 (MICRO COMPLIANT, 0.39±0.05 PTH)

QUALITY SYMBOLS	THIS DRAWING CONTAINS INFORMATION THAT IS PROPRIETARY TO MOLEX ELECTRONIC TECHNOLOGIES, LLC AND SHOULD NOT BE USED WITHOUT WRITTEN PERMISSION											
▽ = 0	REMASTERED IN INX EC NO: 168852 DRWN: VNANDAM CHKD: CD REV / APPR: GGA	2017/11/09 2017/11/30 2017/12/01	GENERAL TOLERANCES (UNLESS SPECIFIED)			DIMENSION UNITS	SCALE	<b>molex</b> IMPACT 2-PAIR 85-OHM RIGHT GUIDED BACKPLANE SALES ASSEMBLY DRAWING				
▽ = 0			MM	4:1	ANGULAR TOL ± 0.5 °							
▽ = 0			4 PLACES ±	JBINGHAM	DATE	2012/02/08		PRODUCT CUSTOMER DRAWING				
▽ = 0			3 PLACES ±	CHKD BY	DATE	2012/02/08						
▽ = 0			2 PLACES ± 0.13	JLAURX	DATE	2013/02/07		SERIES	MATERIAL NUMBER	CUSTOMER		
▽ = 0			1 PLACE ± 0.25	JLAURX	DATE	2013/02/07		171065	SEE CHART	GENERAL MARKET		
▽ = 0			0 PLACES ±	DRAWING SIZE		THIRD ANGLE PROJECTION		DOCUMENT NUMBER		DOC TYPE	DOC PART	SHEET NUMBER
▽ = 0			DRAFT WHERE APPLICABLE MUST REMAIN WITHIN DIMENSIONS		C			SD-171065-0003	PSD	001	2 OF 3	
▽ = 0			C1	REV	APPR	GGA						

# IMPACT 2 PAIR BOARD RELATIONSHIPS



QUALITY SYMBOLS		THIS DRAWING CONTAINS INFORMATION THAT IS PROPRIETARY TO MOLEX ELECTRONIC TECHNOLOGIES, LLC AND SHOULD NOT BE USED WITHOUT WRITTEN PERMISSION						
▽ = 0	2017/11/09	REMASTERED IN INX	GENERAL TOLERANCES (UNLESS SPECIFIED)	DIMENSION UNITS	SCALE			
▽ = 0	2017/11/30			MM	2:1			
▽ = 0	2017/12/01			ANGULAR TOL ± 0.5 °				
▽ = 0	2017/11/30			4 PLACES ±	DRWN BY	DATE	IMPACT 2-PAIR 85-OHM RIGHT GUIDED BACKPLANE SALES ASSEMBLY DRAWING	
▽ = 0	2017/11/30			3 PLACES ±	JBINGHAM	2012/02/08		
▽ = 0	2017/11/30	2 PLACES ± 0.13	CHK'D BY	DATE	PRODUCT CUSTOMER DRAWING			
▽ = 0	2017/11/30	1 PLACE ± 0.25	JLAURX	2012/02/08				
▽ = 0	2017/11/30	0 PLACES ±	APPR BY	DATE	SERIES MATERIAL NUMBER CUSTOMER 171065 SEE CHART GENERAL MARKET			
▽ = 0	2017/11/30	DRAFT WHERE APPLICABLE MUST REMAIN WITHIN DIMENSIONS	JLAURX	2013/02/07				
▽ = 0	2017/11/30		DRAWING SIZE	THIRD ANGLE PROJECTION	DOCUMENT NUMBER DOC TYPE DOC PART SHEET NUMBER SD-171065-0003 PSD 001 3 OF 3			
▽ = 0	2017/11/30		C					