

FL SWITCH 2008 - Industrial Ethernet Switch



2702324

<https://www.phoenixcontact.com/us/products/2702324>

Please be informed that the data shown in this PDF document is generated from our online catalog. Please find the complete data in the user documentation. Our general terms of use for downloads are valid.

Managed Switch 2000, 8 RJ45 ports 10/100 Mbps, PROFINET Conformance-Class A



Your advantages

- VLANs
- DHCP client, DHCP server (port-based)
- MRP client
- Unmanaged Mode
- RSTP
- Web-based management, SNMP
- Configuration memory
- Easy and fast startup and commissioning with the FL NETWORK MANAGER software
- Suitable for PROFINET and EtherNet/IP™ networks

Commercial data

Item number	2702324
Packing unit	1 pc
Minimum order quantity	1 pc
Sales key	DN17
Product key	DNN121
Catalog page	Page 304 (C-6-2019)
GTIN	4055626128917
Weight per piece (including packing)	399.888 g
Weight per piece (excluding packing)	240 g
Customs tariff number	85176200
Country of origin	DE

FL SWITCH 2008 - Industrial Ethernet Switch

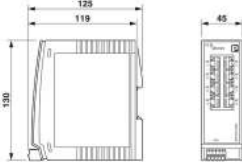


2702324

<https://www.phoenixcontact.com/us/products/2702324>

Technical data

Dimensions

Dimensional drawing	
Width	45 mm
Height	130 mm
Depth	119 mm

Notes

General	Support by phone or on-site (fee is charged)
---------	--

Material specifications

Housing material	Polycarbonate fiber reinforced
------------------	--------------------------------

Mounting

Mounting type	DIN rail mounting
---------------	-------------------

Interfaces

Ethernet (RJ45)

Number of interfaces	8
Connection method	RJ45
Note on the connection method	Auto negotiation and autocrossing
Transmission speed	10/100 Mbps
Transmission physics	Copper
Transmission length	100 m (per segment)
Signal LEDs	Data receive, link status
No. of channels	8 (RJ45 ports)

Product properties

Type	Book type
Product type	Switch
Product family	Managed Switch 2000
MTTF	507.8 Years (SN 29500 standard, temperature 25°C, operating cycle 21%)
	246.55 Years (SN 29500 standard, temperature 40°C, operating cycle 34.25%)
	56.66 Years (SN 29500 standard, temperature 55°C, operating cycle 100%)
Signal delay	≥ 6.5 μs (Store and Forward mode, 10/100 Mbps, depending on

FL SWITCH 2008 - Industrial Ethernet Switch



2702324

<https://www.phoenixcontact.com/us/products/2702324>

	the frame size)
--	-----------------

Insulation characteristics

Protection class	III (VDE 0106)
Degree of pollution	2

Switch functions

Diagnostic functions	RMON History
	LLDP (Link Layer Discovery Protocol)
	SNMP-Traps
	N:1-Portmirroring
	ACD (Address Conflict Detection)
	SysLog
	CRC-Surveillance
Basic functions	Store-and-forward switch, complies with IEEE 802.3
PROFINET conformance class	Conformance-Class A
Filter functions	Quality of Service (8 priority classes)
	Class of Service
	DiffServ/DSCP
	Port-Priorisierung
	VLAN (up to 8 VLANs)
	IGMP Snooping/Querier (v1/v2)
	Auto-Query-Port
	Extended Multicast Filtering
IP parameterization	DHCP-Client
	DHCP server (port based)
	BootP
MAC address table	8k
Management	Web-based management (HTTP/HTTPS)
	Role-based user management (LDAP)
	SNMPv1/v2/v3
	Command Line Interface (Telnet, SSH)
Redundancy	MRP (Media Redundancy Protocol)
	RSTP (Rapid Spanning Tree Protocol)
Status and diagnostic indicators	LEDs: US (power supply), 2 LEDs per Ethernet port (Link/Activity and Speed)
Additional functions	Transmission of MMS and GOOSE (IEC 61850-8-1)
	Transmission of Modbus/TCP
Time synchronization	SNTP (Simple Network Time Protocol)

Security functions

Basic functions	Store-and-forward switch, complies with IEEE 802.3
-----------------	--

Electrical properties

Local diagnostics	US Supply voltage Green LED
	LNK/ACT Link status Green LED

FL SWITCH 2008 - Industrial Ethernet Switch



2702324

<https://www.phoenixcontact.com/us/products/2702324>

	SPD Data transmission speed Green LED
Maximum power dissipation for nominal condition	4.86 W (At $U_S = 18$ V DC and 60°C ambient temperature)
Test voltage	500 V DC
Test section	for one minute 500 V DC
Transmission medium	Copper

Supply

Supply voltage (DC)	24 V DC (single)
Supply voltage range	18 V DC ... 32 V DC
Power supply connection	via COMBICON, max. conductor cross section 1.5 mm ²
Residual ripple	3.6 V _{PP} (within the permitted voltage range)
Max. current consumption	0.35 A (At $U_S = 18$ V DC and 60°C ambient temperature)
Typical current consumption	180 mA (at $U_S = 24$ V DC and 25 °C ambient temperature)
Current consumption	180 mA

Connection data

Connection method	Push-in spring connection
Note on the connection method	Use only copper connecting cables providing the permitted temperature range (-40 °C ... 75 °C).
Conductor cross section, rigid	0.25 mm ² ... 1.5 mm ²
Conductor cross section, flexible	0.25 mm ² ... 1.5 mm ²
Conductor cross section AWG	24 ... 16
Stripping length	9 mm

Environmental and real-life conditions

Ambient conditions

Degree of protection	IP20
Ambient temperature (operation)	0 °C ... 60 °C
Ambient temperature (storage/transport)	-40 °C ... 85 °C
Permissible humidity (operation)	10 % ... 95 % (non-condensing)
Permissible humidity (storage/transport)	10 % ... 95 % (non-condensing)
Shock (operation)	30g (EN 60068-2-27)
Vibration (operation)	2g, according to IEC 60068-2-6
Air pressure (operation)	86 kPa ... 108 kPa (1500 m above sea level)
Air pressure (storage/transport)	86 kPa ... 108 kPa (1500 m above sea level)

Standards and regulations

Free from substances that could impair the application of coating	Yes
---	-----

Approvals

UL, USA/Canada

Identification	cULus
Note	UL 61010-1, Ed. 3 / UL 61010-2-201, Ed. 1, CSA C22.2 NO. 61010-2-201:14, Ed. 1 / CSA C22.2 NO.61010-1-12, Ed. 3

2702324

<https://www.phoenixcontact.com/us/products/2702324>

EMC data

Conformance with EMC directives	EN 61000-6-2 EN 61000-4-2 (ESD) Criterion B
	EN 61000-6-2 EN 61000-4-3 (electromagnetic fields) Criterion A
	EN 61000-6-2 EN 61000-4-4 (EFT burst) Criterion A
	EN 61000-6-2 EN 61000-4-5 (surge) Criterion B
	EN 61000-6-2 EN 61000-4-6 (line noise immunity) Criterion A
	EN 61000-6-2 EN 61000-6-4 (interference) Class A
	EN 61000-6-2 EN 61000-6-4 (conducted interference) Class A
Noise immunity	EN 61000-6-2
Electromagnetic compatibility	Conformance with EMC Directive 2014/30/EU
Noise emission	EN 61000-6-4

System properties

Functionality

Basic functions	Store-and-forward switch, complies with IEEE 802.3
-----------------	--

Signaling

Status display	LEDs: US (power supply), 2 LEDs per Ethernet port (Link/Activity and Speed)
----------------	---

FL SWITCH 2008 - Industrial Ethernet Switch



2702324

<https://www.phoenixcontact.com/us/products/2702324>

Approvals

To download certificates, visit the product detail page: <https://www.phoenixcontact.com/us/products/2702324>



EAC

Approval ID: RU*-DE.*.B.00741/19



UL Listed

Approval ID: FILE E 238705



cUL Listed

Approval ID: FILE E 238705



cUL Listed

Approval ID: FILE E 238705



UL Listed

Approval ID: FILE E 238705

UAE-RoHS

Approval ID: 23-02-63230

FL SWITCH 2008 - Industrial Ethernet Switch



2702324

<https://www.phoenixcontact.com/us/products/2702324>

Classifications

ECLASS

ECLASS-11.0	19170401
ECLASS-12.0	19170401
ECLASS-13.0	19170401

ETIM

ETIM 8.0	EC000734
----------	----------

UNSPSC

UNSPSC 21.0	43222600
-------------	----------

FL SWITCH 2008 - Industrial Ethernet Switch



2702324

<https://www.phoenixcontact.com/us/products/2702324>

Environmental product compliance

REACH SVHC	Lead 7439-92-1
China RoHS	Environmentally Friendly Use Period = 50 years
	For information on hazardous substances, refer to the manufacturer's declaration available under "Downloads"

Phoenix Contact 2023 © - all rights reserved

<https://www.phoenixcontact.com>

Phoenix Contact USA
586 Fulling Mill Road
Middletown, PA 17057, United States
(+717) 944-1300
info@phoenixcon.com