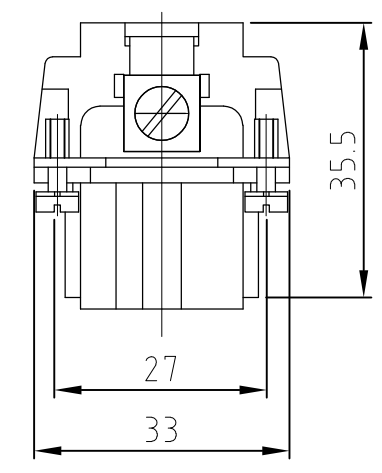
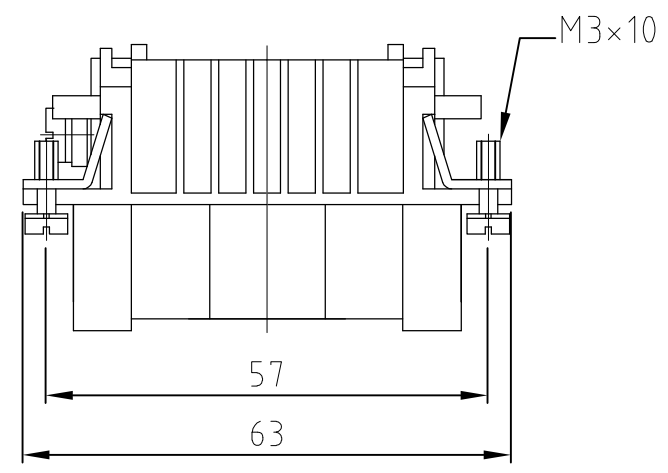


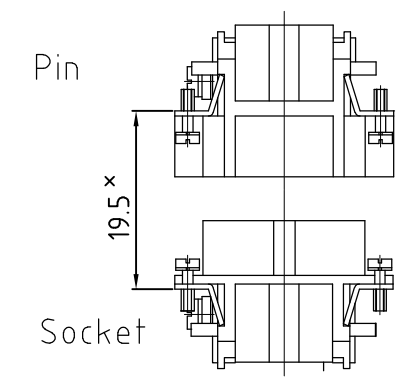
THIS DRAWING IS UNPUBLISHED. RELEASED FOR PUBLICATION  
 © COPYRIGHT BY TYCO ELECTRONICS CORPORATION. ALL INTERNATIONAL RIGHTS RESERVED.

LOC	DIST	REVISIONS					
		P	LTR	DESCRIPTION	DATE	DWN	APVD
A1	—		A2	UL-File entfällt EGD0-0218-03 UL- File removed	20.09.03	SR	SM
			A3	REVISED PER ECO-11-002591	11FEB11	HMR	MM

Maßbild  
Outline drawing

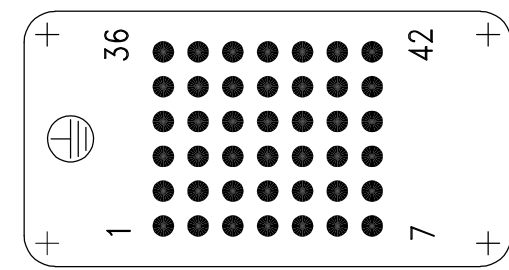


Assembly reference

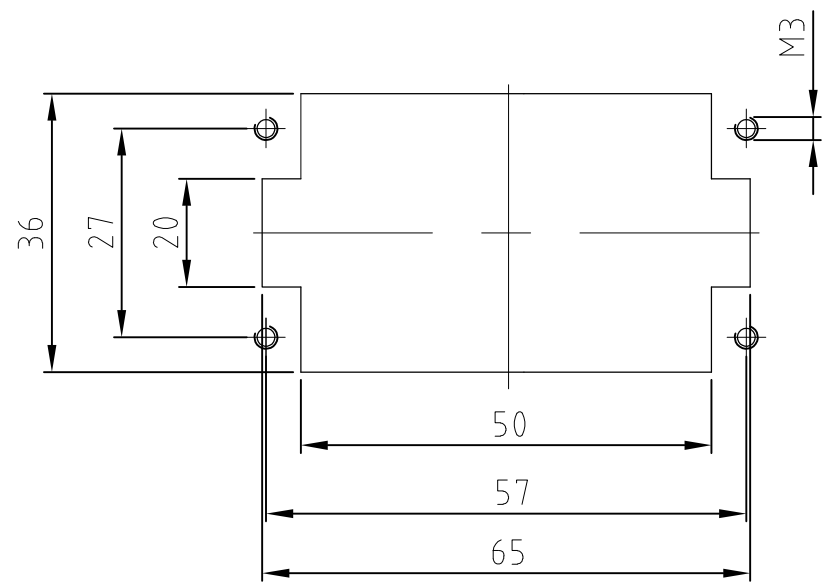


× Distance for contact max: 21 mm

Kontaktanordnung  
Contact arrangement  
Ansicht Anschlußseite  
view from termination side



Montageausschnitt  
Panel cut-out for contact insert  
bei Verwendung ohne Gehäuse  
when used without housing



Notes,

- ① Material: insert, PC
- ② Finish: contact; Ag, Au

Bemerkungen,

- ① Material: Einsatz: PC
- ② Oberfläche: Kontakte; Ag, Au

1	Female insert HN.2D.42 Crimp	①	dark gray	1	-			
2-3	DESCRIPTION / BENENNUNG	MATERIAL	COLOR / FARBE	ITEM NO. POS.	REMARKS / BEMERKUNGEN			
HN.2D.42.Bu.C	ORDERING TEXT / BESTELLTEXT	THIS DRAWING IS A CONTROLLED DOCUMENT.		DWN Schneider 10.11.1997	Tyco Electronics Corporation Harrisburg, Pa 17105-3608			
		DIMENSIONS: mm		CHK -		NAME Female insert Buchseneinsatz HN.2D.42		
		TOLERANCES UNLESS OTHERWISE SPECIFIED: GENERAL TOLERANCES n. ISO 8015 n. ISO 2768 - 43H - E n. DIN 16901 - 14.0		APVD -	PRODUCT SPEC -			
		 0 PLC +- 1 PLC +- 2 PLC +- 3 PLC +- 4 PLC +- ANGLES +-		APPLICATION SPEC -	WEIGHT 56g	SIZE A3	CAGE CODE 00779	DRAWING NO C-1103206
MATERIAL ①		FINISH ②		CUSTOMER DRAWING		SCALE 1:1	SHEET 1 OF 1	REV A3