

1981959-1 ✓ ACTIVE



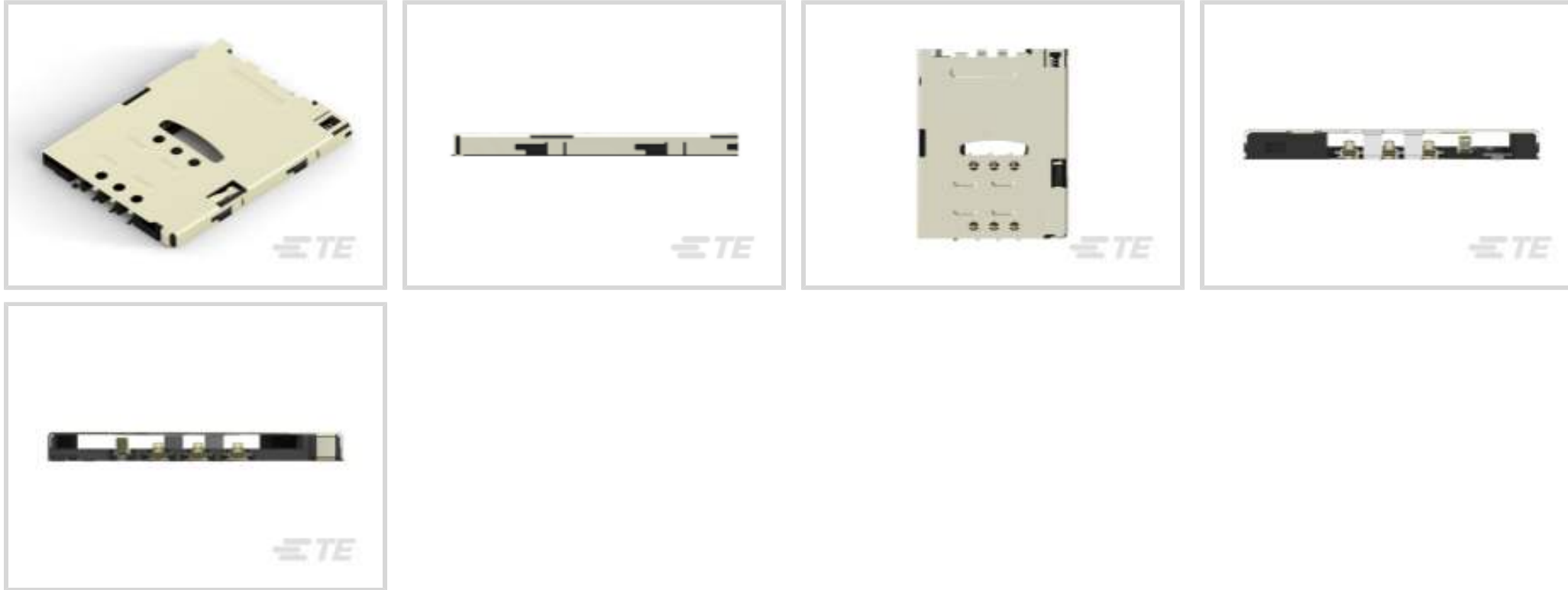
SIM Connectors

TE Internal #: 1981959-1

SIM Card Connectors, 2FF mini SIM Compatible Card, 8 Position, 8 Loaded Positions, Signal, -13 – 158 °F [-25 – 70 °C], SIM Connectors

[View on TE.com >](#)

Connectors > PCB Connectors > Memory Card Connectors > SIM Card Connectors



Compatible Card: **2FF mini SIM**

Number of Positions: **8**

Centerline (Pitch): **2.54 mm [.1 in]**

Number of Loaded Positions: **8**

Connector & Contact Terminates To: **Printed Circuit Board**

Features

Product Type Features

| | |
|-----------------------------------|-----------------------|
| Card Stop | With |
| Compatible Card | 2FF mini SIM |
| Connector & Contact Terminates To | Printed Circuit Board |

Configuration Features

| | |
|----------------------------|------------------|
| Card Insertion Style | Normal Insertion |
| Card Detection Switch | With |
| Number of Positions | 8 |
| Number of Loaded Positions | 8 |

Electrical Characteristics

| | |
|----------------------|--------|
| Current Rating (Max) | 1.2 A |
| Voltage Rating | 15 VAC |

Body Features

| | |
|-----------------------|-----------|
| Ejector Type | Push-Push |
| Primary Product Color | Black |

Contact Features

| | |
|------------------------------|--------------|
| Contact Mating Retention | With |
| Contact Base Material | Copper Alloy |
| Contact Current Rating (Max) | 1.2 A |

Termination Features

| | |
|---|---------------|
| Termination Method to Printed Circuit Board | Surface Mount |
|---|---------------|

Mechanical Attachment

| | |
|-------------------------|-------------|
| Mating Alignment | With |
| Connector Mounting Type | Board Mount |

Housing Features

| | |
|--------------------|------------------------------|
| Shell Material | Copper Alloy |
| Housing Material | LCP (Liquid Crystal Polymer) |
| Centerline (Pitch) | 2.54 mm [.1 in] |

Dimensions

| | |
|-------------------------|-------------------|
| Profile Height from PCB | 1.87 mm [.073 in] |
|-------------------------|-------------------|

Usage Conditions

| | |
|-----------------------------|----------------------------|
| Operating Temperature Range | -25 – 70 °C [-13 – 158 °F] |
|-----------------------------|----------------------------|

Operation/Application

| | |
|---------------------|-------------|
| Durability Rating | 1500 Cycles |
| Circuit Application | Signal |

Industry Standards

| | |
|------------------------|----------|
| UL Flammability Rating | UL 94V-0 |
|------------------------|----------|

Packaging Features

| | |
|--------------------|-------------|
| Packaging Quantity | 800 |
| Packaging Method | Tape & Reel |

Product Compliance

[For compliance documentation, visit the product page on TE.com>](#)

| | |
|---|---|
| EU RoHS Directive 2011/65/EU | Compliant |
| EU ELV Directive 2000/53/EC | Compliant |
| China RoHS 2 Directive MIIT Order No 32, 2016 | No Restricted Materials Above Threshold |



EU REACH Regulation (EC) No. 1907/2006

Current ECHA Candidate List: JUNE 2023 (235)

Candidate List Declared Against: JAN 2023 (233)

Does not contain REACH SVHC

Halogen Content

Low Bromine/Chlorine - Br and Cl < 900 ppm per homogenous material. Also BFR /CFR/PVC Free

Solder Process Capability

Reflow solder capable to 260°C

Product Compliance Disclaimer

This information is provided based on reasonable inquiry of our suppliers and represents our current actual knowledge based on the information they provided. This information is subject to change. The part numbers that TE has identified as EU RoHS compliant have a maximum concentration of 0.1% by weight in homogenous materials for lead, hexavalent chromium, mercury, PBB, PBDE, DBP, BBP, DEHP, DIBP, and 0.01% for cadmium, or qualify for an exemption to these limits as defined in the Annexes of Directive 2011/65/EU (RoHS2). Finished electrical and electronic equipment products will be CE marked as required by Directive 2011/65/EU. Components may not be CE marked. Additionally, the part numbers that TE has identified as EU ELV compliant have a maximum concentration of 0.1% by weight in homogenous materials for lead, hexavalent chromium, and mercury, and 0.01% for cadmium, or qualify for an exemption to these limits as defined in the Annexes of Directive 2000/53/EC (ELV). Regarding the REACH Regulation, the information TE provides on SVHC in articles for this part number is based on the latest European Chemicals Agency (ECHA) 'Guidance on requirements for substances in articles' posted at this URL: <https://echa.europa.eu/guidance-documents/guidance-on-reach>

Compatible Parts




TE Part # 1932768-1
SUPER LOW PROFILE 1.95SIM WITH FLANGE



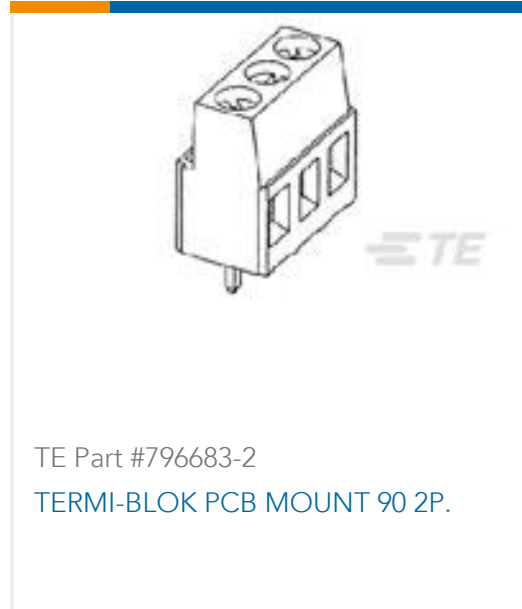
TE Part # 2174918-1
PUSH-PUSH SIM CONNECTOR SUPER LOWPROFILE

Also in the Series | SIM Connectors



SIM Card Connectors(9)

Customers Also Bought



Documents

Product Drawings

[PUSH PUSH SIM H1.87 SWITCH EMBOSS ASSY](#)

English

CAD Files

[3D PDF](#)

3D

Customer View Model

[ENG_CVM_CVM_1981959-1_C.2d_dxf.zip](#)

English

Customer View Model

[ENG_CVM_CVM_1981959-1_C.3d_igs.zip](#)

English

Customer View Model

[ENG_CVM_CVM_1981959-1_C.3d_stp.zip](#)

English

By downloading the CAD file I accept and agree to the [Terms and Conditions](#) of use.

Datasheets & Catalog Pages



[2-1773464-0_SIM_Card_Connectors_Quick_Reference_Guide](#)

English

Product Specifications

[Product Specification](#)

English

[Product Specification](#)

Japanese