

# VMP-VWS

Vented Wall Shelf

## Product Features:

Wall or backboard mount

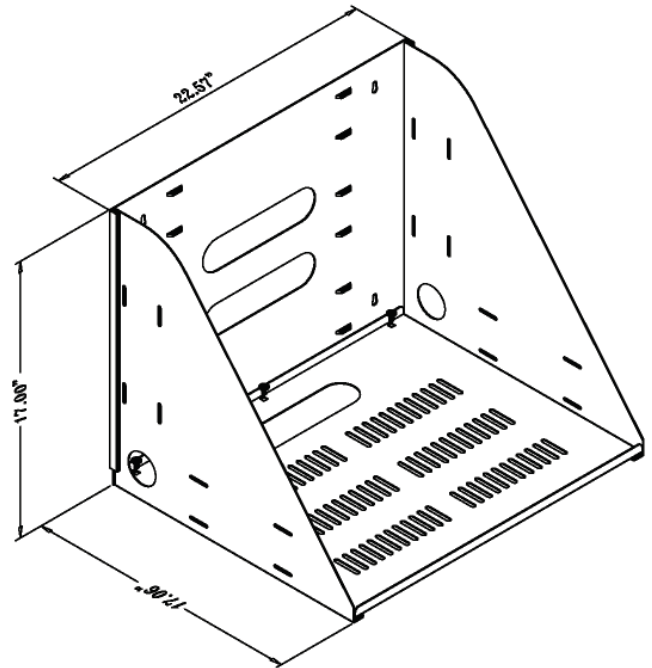
Convenient quick-slide assembly

Five cable supply locations

Load capacity - 200 lbs

Internal dimensions - 20.5"W x 17"D x 17"H

Black static resistant powder coat finish



## Product Specifications:

*(for Architects & Engineers)*

The wall mounted equipment shelf shall be a Video Mount Products (VMP) model VMP-VWS. The shelf shall be constructed primarily of formed steel. The shelf shall be wall or backboard mountable and include 5 cable knockouts and vents for air flow. The interior dimensions of the shelf shall be 20.5" W x 17" D x 17" H. The load capacity shall be 200 lbs.

## Video Mount Products

345 Log Canoe Circle

Stevensville, MD 21666

Toll Free: 877.281.2169

Telephone: 410.643.6390

Facsimile: 410.643.6615

[www.videomount.com](http://www.videomount.com)

**VMP**  
VIDEO MOUNT PRODUCTS