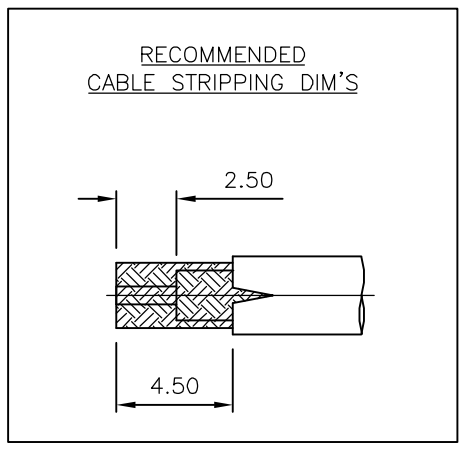
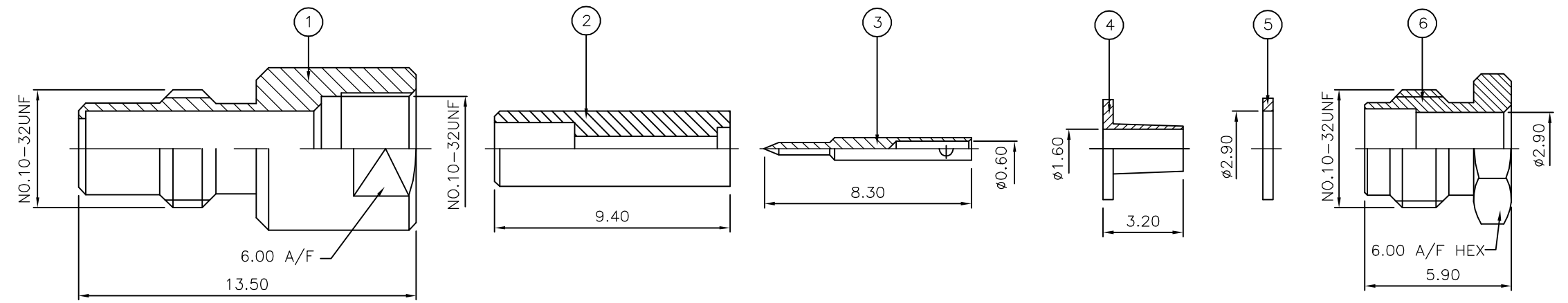


THIS DRAWING IS UNPUBLISHED. RELEASED FOR PUBLICATION JAN ,2006.  
 © COPYRIGHT 2006 BY TYCO ELECTRONICS CORPORATION. ALL RIGHTS RESERVED.

LOC	DIST	REVISIONS					
E	B	P	LTR	DESCRIPTION	DATE	DWN	APVD
		C		ECR-05-017969	12JAN06	JMS	FWK

- NOTES:
- ① PACK IN ACCORDANCE WITH AMP SPEC 107-3275
  - ② 100 TRAY PACK IN ACCORDANCE WITH AMP SPEC 107-3275
  - ③ Au PLATING
- 4 ELECTRICAL CHARACTERISTICS
- |                               |                            |
|-------------------------------|----------------------------|
| FREQUENCY RANGE:              | DC - 10 GHz                |
| NOMINAL IMPEDANCE:            | 50 Ohm                     |
| INSULATION RESISTANCE:        | 1000 MOhm                  |
| WORKING VOLTAGE:              | 250 Volts RMS at Sea Level |
| DIELECTRIC WITHSTAND VOLTAGE: | 750 Volts RMS Max          |
| CONTACT RESISTANCE:           |                            |
| CENTRE CONTACT:               | 6.00 mOhm Max              |
| OUTER CONTACT:                | 1.00 mOhm Max              |
| VSWR @ 3GHz:                  | 1.35:1                     |
| INSERTION LOSS dB @ x 4 GHz:  | 0.25 Max                   |
- 5 MECHANICAL CHARACTERISTICS
- |                                 |                |
|---------------------------------|----------------|
| COUPLING NUT RETENTION FORCE:   | N/A            |
| CABLE RETENTION FORCE:          |                |
| RG174A/U, 188A/U, 316/U, URM95: | 85N Min        |
| DURABILITY:                     | 500 Cycles Min |
- 6 ENVIRONMENTAL CHARACTERISTICS
- |                        |                  |
|------------------------|------------------|
| OPERATING TEMPERATURE: | -65 to +165 DegC |
|------------------------|------------------|



QTY	UNIT	MATERIAL	DESCRIPTION	ITEM
1	1	BRASS	CLAMP NUT	6
1	1	BRASS	WASHER	5
1	1	BRASS	FERRULE	4
1	1	BRASS	CONTACT	3
1	1	PTFE	INSULATION	2
1	1	BRASS	BODY	1
6--0	1--0	MATERIAL	DESCRIPTION	ITEM

THIS DRAWING IS A CONTROLLED DOCUMENT.		DWN J.SANDWELL 12JAN06	Tyco Electronics Corporation Bideford EX39 4HE													
DIMENSIONS: mm		CHK S.PARLOW 12JAN06														
TOLERANCES UNLESS OTHERWISE SPECIFIED:		APVD F.WHEELER-KING 12JAN06	NAME SMC STRAIGHT JACK SOLDER 50 OHM RG174A/U, 188A/U, 316/U, URM95, KX3B, KX22A													
<table border="0"> <tr><td>0 PLC</td><td>± -</td></tr> <tr><td>1 PLC</td><td>± -</td></tr> <tr><td>2 PLC</td><td>± -</td></tr> <tr><td>3 PLC</td><td>± -</td></tr> <tr><td>4 PLC</td><td>± -</td></tr> <tr><td>ANGLES</td><td>± -</td></tr> </table>		0 PLC	± -	1 PLC	± -	2 PLC	± -	3 PLC	± -	4 PLC	± -	ANGLES	± -	PRODUCT SPEC -	RESTRICTED TO -	
0 PLC	± -															
1 PLC	± -															
2 PLC	± -															
3 PLC	± -															
4 PLC	± -															
ANGLES	± -															
MATERIAL SEE TABLE		FINISH -	APPLICATION SPEC 411-3259	SIZE A3												
		WEIGHT -	411-3259	CAGE CODE 00779												
			PRODUCT SPEC	DRAWING NO G-1337483												
			CUSTOMER DRAWING	SCALE NTS												
				SHEET 1 OF 1												
				REV C												