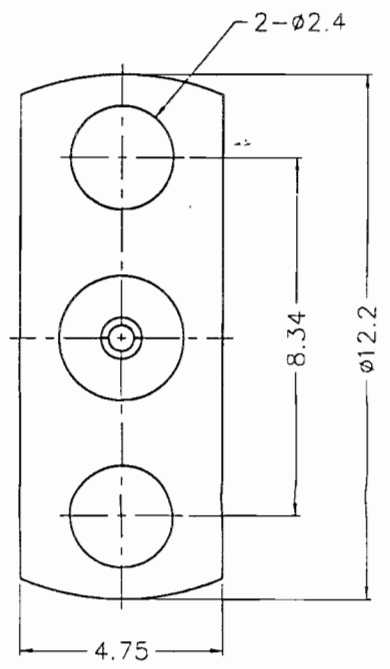
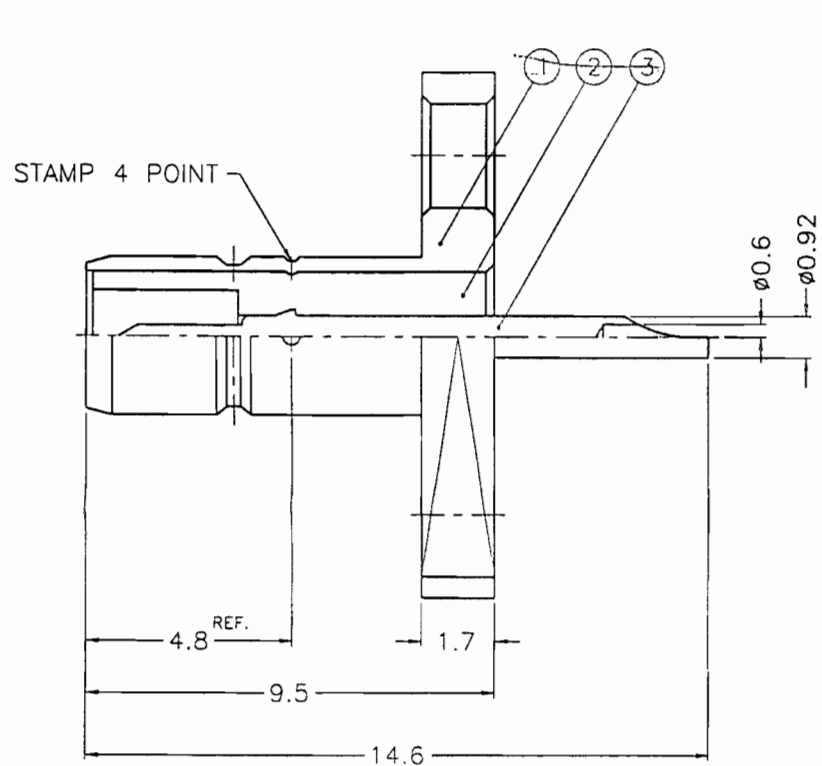


1 | 2 | 3 | 4 | 5 | 6 | 7 | 8

REVISIONS		
ISS	ZONE	DESCRIPTION\APPROVED\DATE



- NOTES: FINISH (PLATING THICKNESS IN MICRO-INCHES)
1. BRASS PER QQ-B-626
 2. GOLD PL. 3 MIN. THICK OVER NICKEL PL. 100 MIN. THICK OVER COPPER STRIKE
 3. GOLD PL. 30 MIN. THICK OVER NICKEL PL. 100 MIN. THICK OVER COPPER STRIKE
 4. TEFLON MIL-P-19468

87.9.14
開發部

					DIMENSIONS ARE IN MILLIMETERS		PART NO.	
					UNLESS OTHERWISE SPECIFIED TOLERANCES		APPROVED <i>Mark C</i> DATE 09-10-98'	
					0.5-6 = ±0.2		CHECKED <i>Mark C</i> DATE 09-10-98'	
					6-30 = ±0.4		DRAWN <i>ALEX</i> DATE 09-10-98'	
					30-120 = ±0.6		TITLE	
					120-315 = ±1		SMB PANEL MOUNT RECEPTACLE JACK	
					315-1000 = ±1.6		DRAWING NO. <i>142106</i>	
					1000-2000 = ±2.4		KJ-SMB1551B2-3GT30G-50	
							FILE NO. F:\DWG\SMB\1551B2\50\3GT30G	

NO.	DESCRIPTION	MATERIAL	FINISH	Q'TY	DRAWING NO.
3	CONTACT PIN	NOTE 1	NOTE (3)	1	SMB1551B2-3
2	INSULATOR	NOTE 4	NATURAL	1	SMB1551B2-2T-50
1	BODY	NOTE 1	NOTE (2)	1	SMB1551B2-1

1 | 2 | 3 | 4 | 5 | 6 | 7 | 8