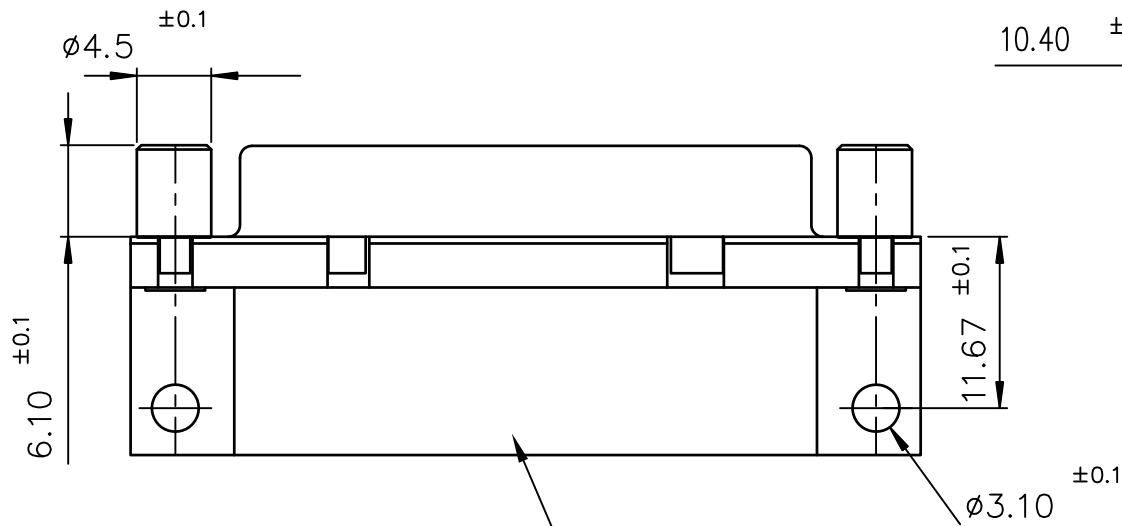
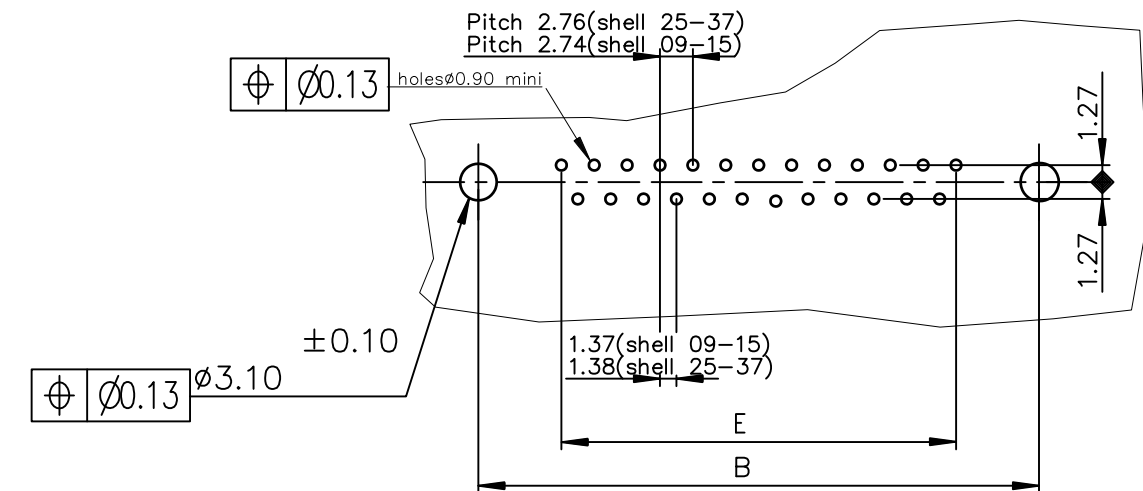


PC card drilling dimensions(after plating)  
(thickness 1.60±0.20mm)



Part Number & Date Code Printing

SHELL	A±0.38	B±0.12	C±0.10	D±0.25	E±0.07	PART NUMBER	PART NUMBER
09	30.81	24.99	16.96	16.21	10.96	D09S13A4PV00**	D09S13A6PV00**
15	39.14	33.32	25.18	24.54	19.18	D15S13A4PV00**	D15S13A6PV00**
25	53.03	47.04	39.12	38.25	33.12	D25S13A4PV00**	D25S13A6PV00**
37	69.32	63.50	55.68	54.71	49.68	D37S13A4PV00**	D37S13A6PV00**
						Gold flash	0,76 µ gold

LF FOR LEAD FREE

REQUIREMENTS

Technical characteristics:

Shell: steel tin plated  
 Insulators: self-extinguishing thermoplastic, UL class 94V0  
 Contacts size 20: phosphor bronze, gold on mating end, bright tin on termination end over nickel on entire contact  
 Cycles : 500 for plating 6  
 Cycles : 200 for plating 4  
 Screwlock: brass, tin plated

Electrical characteristics:

max. current rating: 5A  
 Test voltage: 1000V  
 Rated voltage: 300V  
 Contact resistance: ≤15mΩ  
 Shell resistance: ≤5mΩ  
 Insulation resistance: ≥5000MΩ

Climatic characteristics:

Operating temperature range: -55°C +125°C

Dimensions:

in accordance with MIL-C-24308

FOR ROHS DETAILS REFER DWG.NO: C01-8646-0000

mat'l. code SEE NOTES				surface ISO 1302 ✓		tolerance ISO 406 ISO 1101		projection MM		product family D-SUB	
ltr	ecn no	dr	date	tolerances unless otherwise specified						title SOCKET CONNECT.SUB RIGHT ANGLED SPILL WITH FEMAE SCREWLOCK	
E	ID5-0124	JS	2005/07/27	angles	linear	O.X ±0.1 O.XX ±0.1 O.XXX ±0.1		scale 2:1		dwg no C01-8646-0487	
F	ELXI-I-15060	AB	2013/06/25	X±1°						sheet 1 of 1 size 5 A3	
				dr	JOHN.SLEEBA	2004/08/02		FCJ		type CUSTOMER Drawing	
				engr	ALIAS.BABU	2013/06/25					
				chr	MITHUN.PAUL	2013/06/25					
				appd	BIJU,K.PAUL	2013/06/25					
sheet index		revision sheet		F	1						