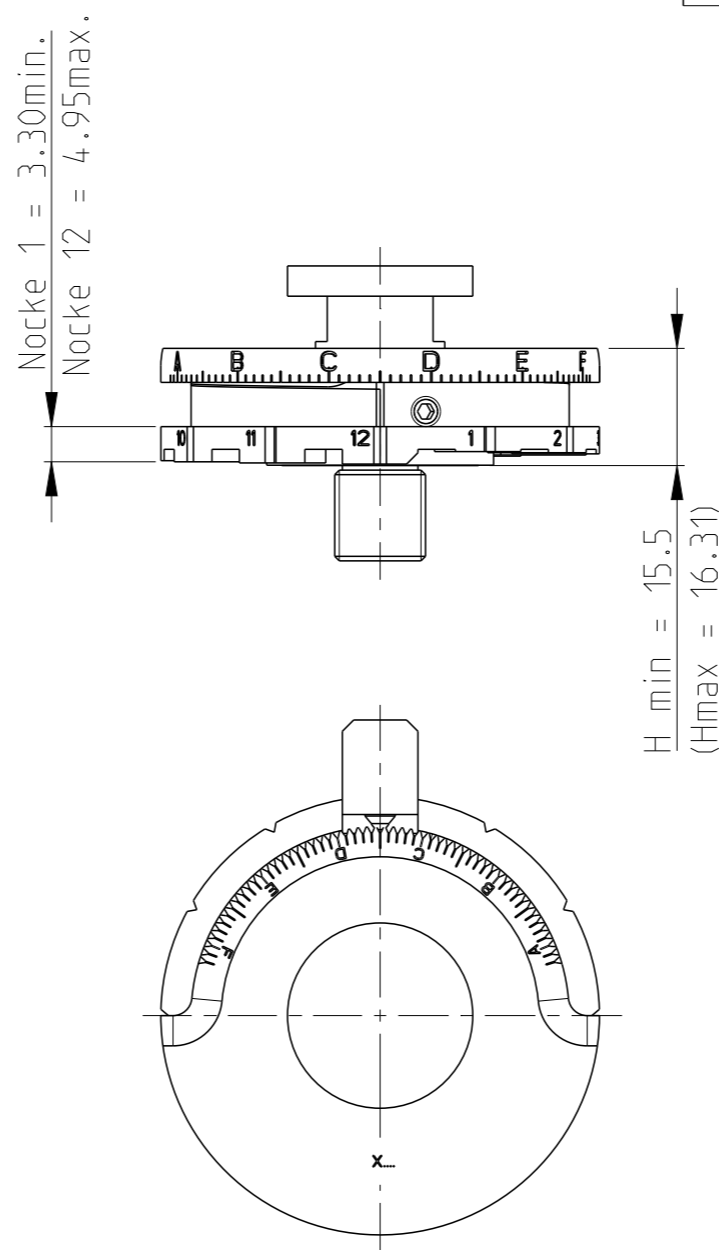
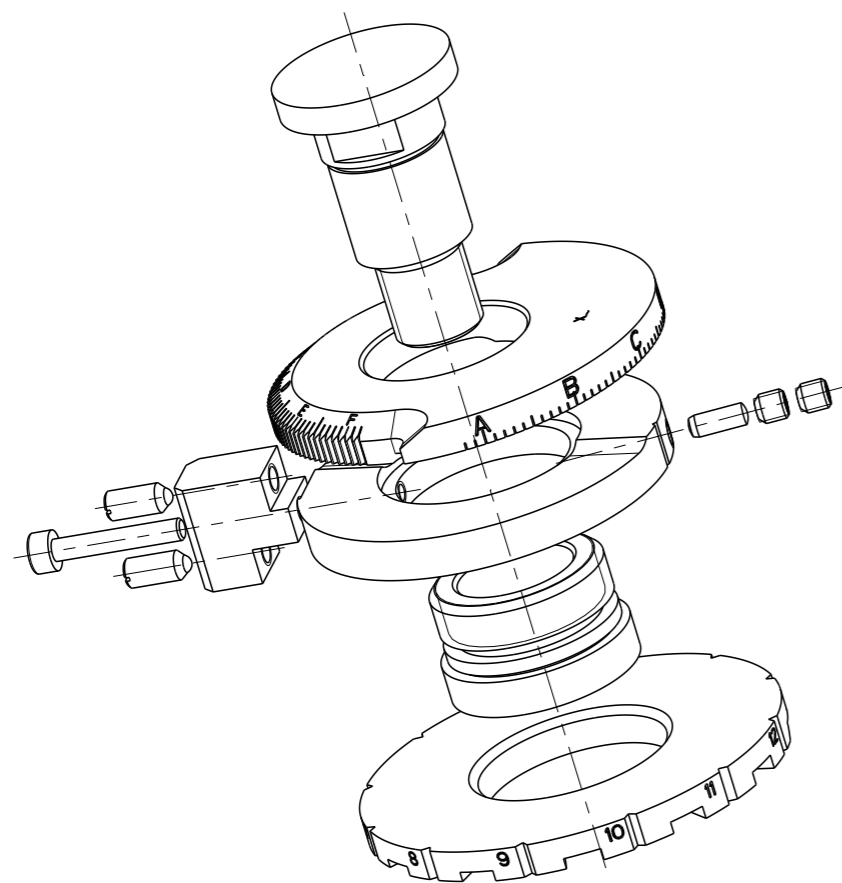
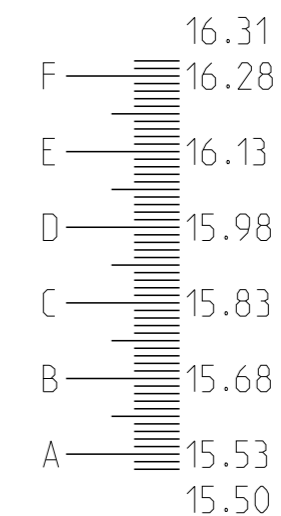


REVISIONS


P	LTR	DESCRIPTION	DATE	DWN	APVD
	C	ECR-06-007205	23MAR2006	KL.	-
	D	ECR-07-022927	26SEP2007	KL.	-
	D1	ECR-08-015876	23JUN2008	KL.	-
	E	ECR-16-004909	06APR2016	KH	GS



Einstellung auf:



H (mm±0.01) Raster 54x0.015

THIS DRAWING IS A CONTROLLED DOCUMENT.		DWN B. Pfeifer	11MAY2004	 TE Connectivity							
DIMENSIONS: mm		CHK	-								
TOLERANCES UNLESS OTHERWISE SPECIFIED:		APVD	-	NAME DISC ADJUSTABLE -F EINSTELLKOPF -F							
0 PLC ± 1 PLC ± 2 PLC ± 3 PLC ± 4 PLC ± ANGLES ±1°		PRODUCT SPEC	-								
MATERIAL		APPLICATION SPEC	-	SIZE	A3	CAGE CODE	00779	DRAWING NO	879103-3	RESTRICTED TO	-
FINISH		WEIGHT	-	CUSTOMER DRAWING		SCALE	1:1	SHEET	1 OF 1	REV	E