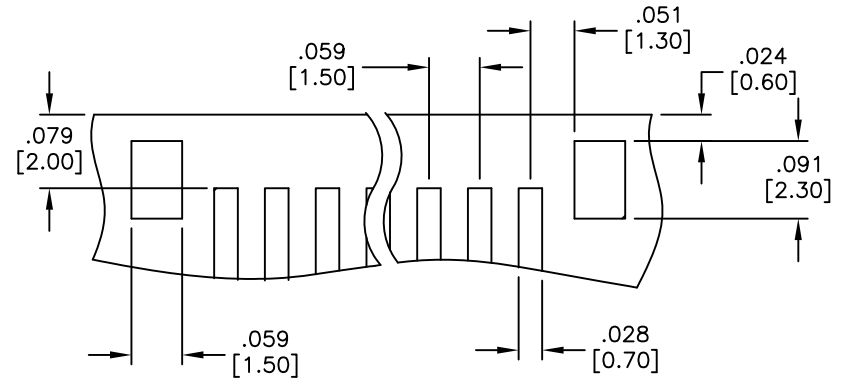
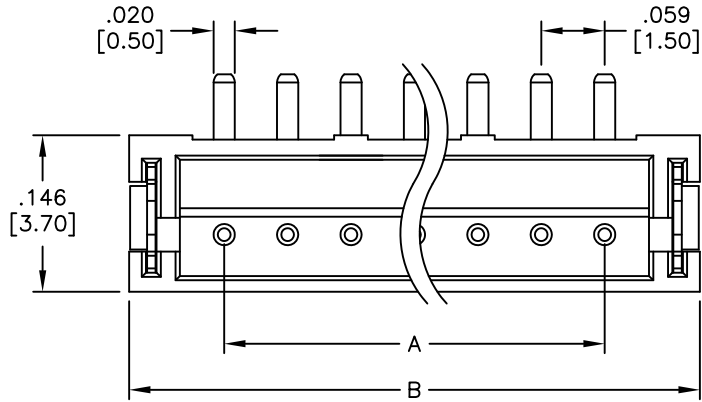
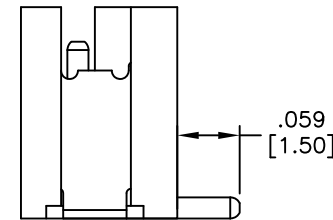
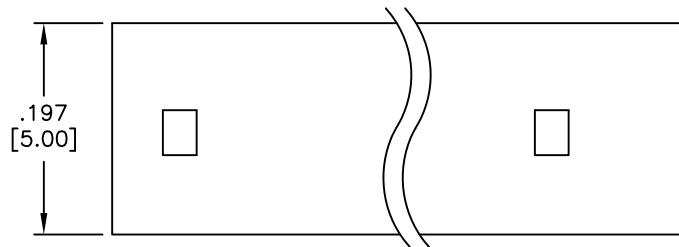


APPROVED: _____
 DATE: _____ TITLE: _____

Rev	AWO #	Description	Date	Appr
-		RELEASED	8/04/09	
A		UPDATED SPECS	8/5/09	
B		REVISED SPEC.	3/15/12	



RECOMMENDED PCB LAYOUT



SPECIFICATIONS:

Material:
 Insulator: Hi-temp thermoplastic, rated UL 94V-0
 Insulator color: Natural (Ivory)
 Contacts: Brass

Plating:
 Tin over Nickel underplate overall

Electrical:
 Voltage rating: 50 AC/DC
 Current rating: 0.7 AC/DC
 Contact resistance: 20 mohms max
 Dielectric withstanding voltage: 500 VAC for 1 minute

Temperature Rating:
 Operating temperature: -25°C to +85°C

Environmental:
 Lead free, RoHS compliant.



Positions: 02 thru 13
 A=.060 [1.50] X No. of Spaces
 B=.060 [1.50] X No. of Positions + .118 [3.00]

UNLESS OTHERWISE SPECIFIED ALL DIMENSIONS ARE INCHES [MM] TOLERANCES: EXCEPT AS NOTED	
INCHES	HOLES
.X ± .10	Ø.X ± .10
.XX ± .020	Ø.XX ± .015
.XXX ± .015	Ø.XXX ± .010
APPROVALS	
DRAWN	DATE
DY	8/04/09
CHECKED	
APPROVED	

ADAM TECH	
909 Rahway Avenue, Union, NJ 07083 Phone: 908-687-5000 Fax: 908-687-5710	
TITLE	
.059 [1.50] TOP ENTRY TYPE, SMT TYPE	
SIZE	PART NO.
X	15SH-A-XX-TS-SMT
REV.	B
REF: S00123T	SCALE: NTS SHEET 1 OF 1