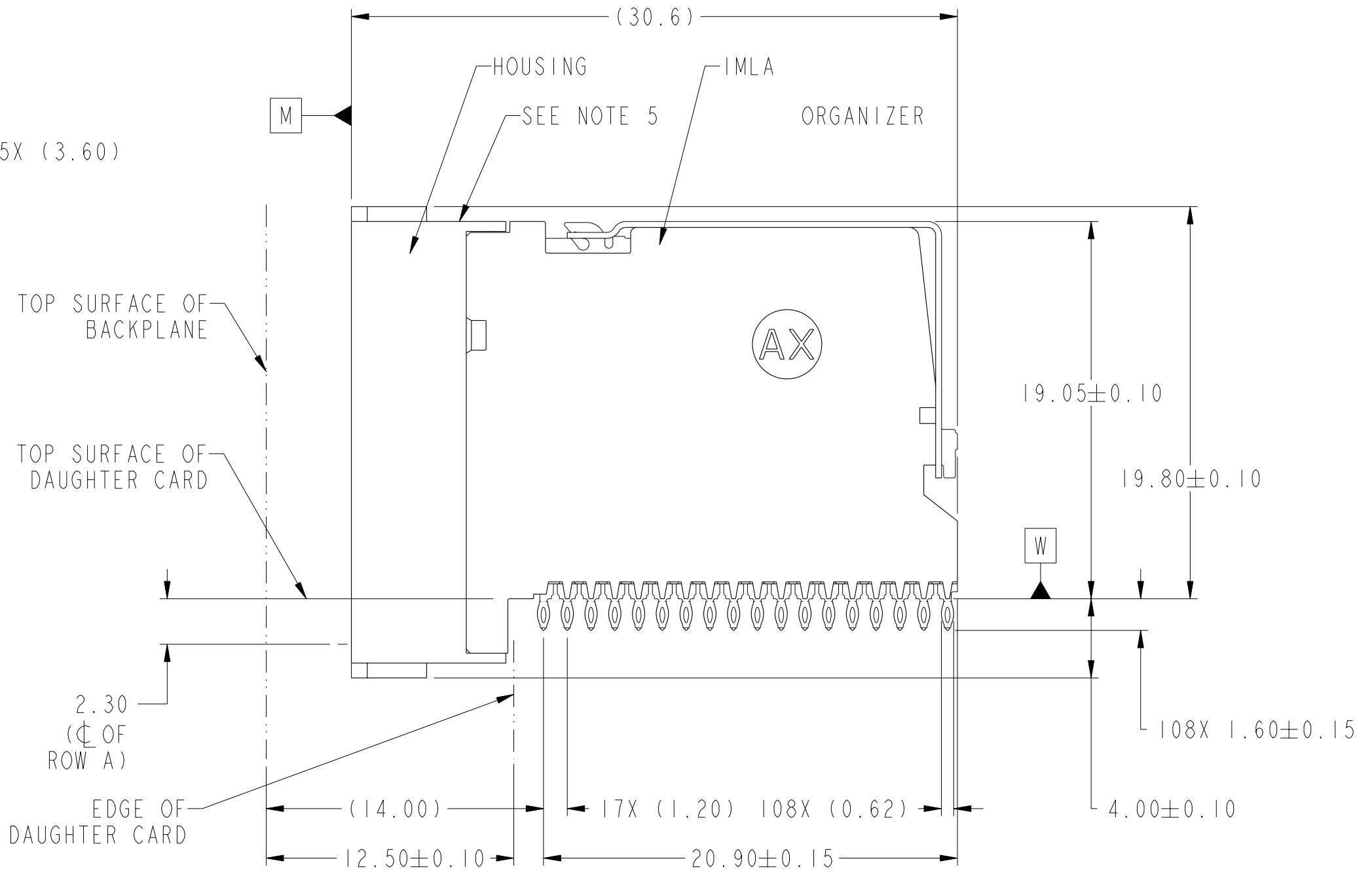
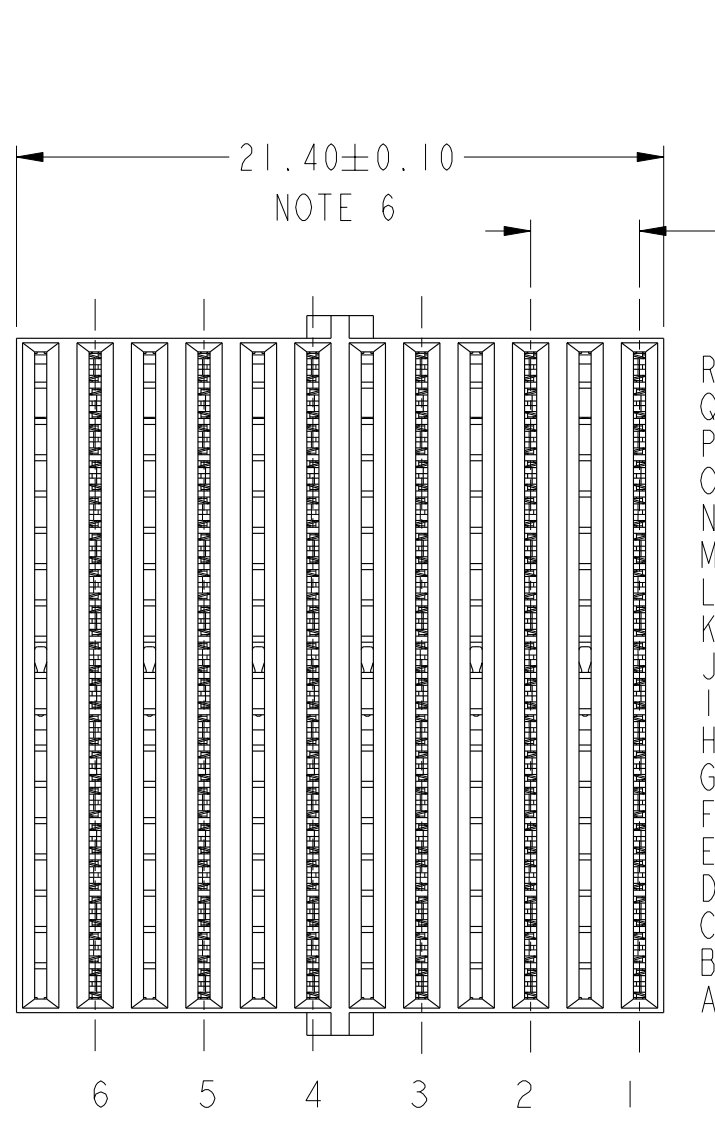


PRODUCT NUMBER
SEE SHEET 3



Copyright FCI.

rev	ecn no	dr	date
A	V09-0390	MRG	2009-08-10
-	-	-	-
-	-	-	-
-	-	-	-
-	-	-	-
-	-	-	-

www.fciconnect.com		surface - ✓	tolerance std	projection	MM
		TOLERANCES UNLESS OTHERWISE SPECIFIED			Scale 4:1
Dr	STU STONER	2007/05/03	ANGULAR	size A3	---
Eng	S MINICH	2007/05/03	LINEAR	ECN	---
Chr	S MINICH	2007/05/03	0° ±°	Spec ref	---
Appr	S MINICH	2007/05/03	Product family	ZipLine	---
		Title ZipLine R/A REC ASSY		Rev. A	
		6 PAIR, 6 IMLA, 3.6MM PITCH, 21.6MM		10078550	
catalog no		-		CUSTOMER sheet 1 of 3	

REV F - 2006-04-17

1

2

3

4

A

B

C

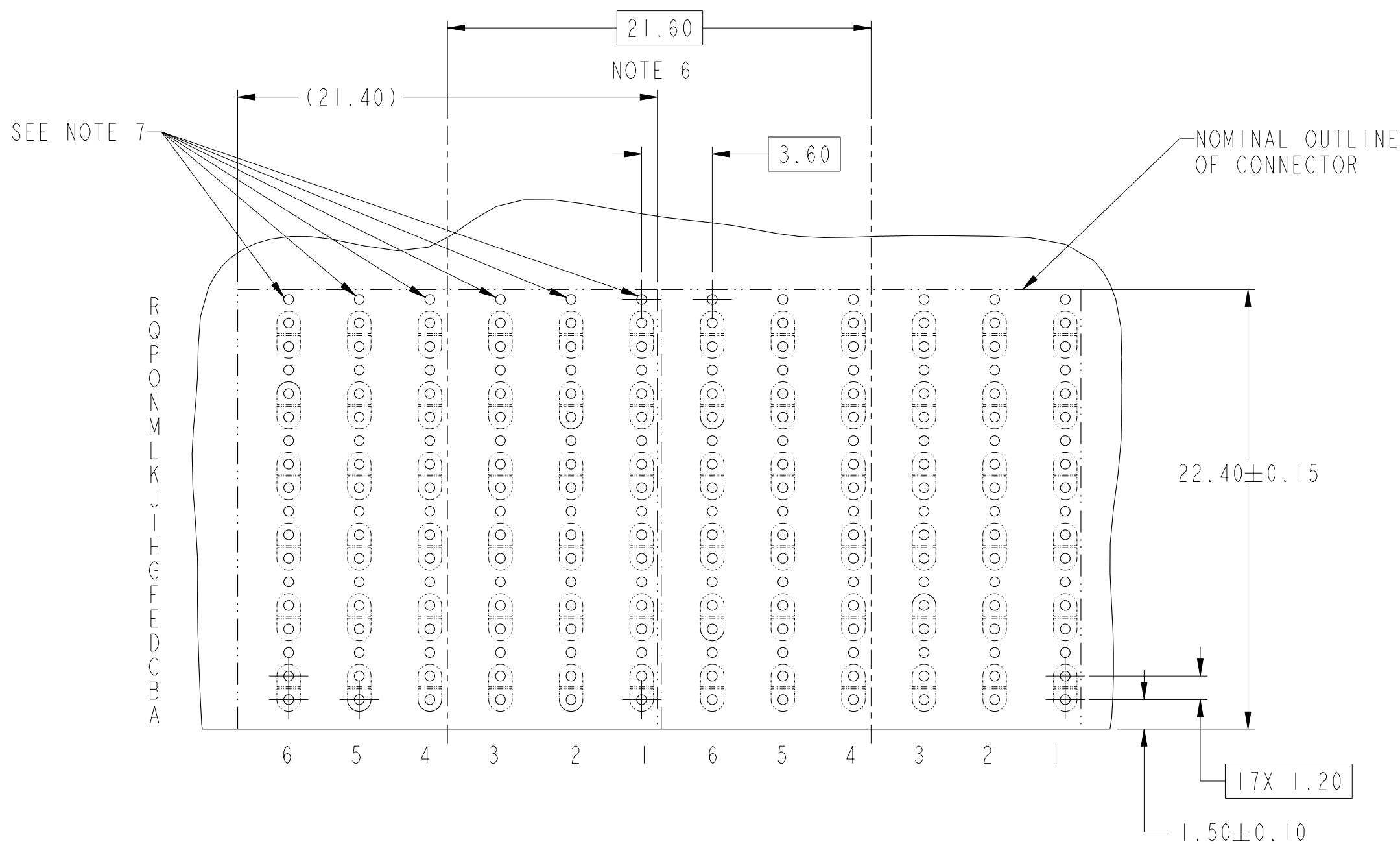
D

A

B

C

D



RECOMMENDED PCB LAYOUT
 COMPONENT SIDE
 (TWO ADJACENT FOOTPRINTS SHOWN)
 SEE NOTES 6, 7, & 8.



Copyright FCI.

	Title ZipLine R/A REC ASSY 6 PAIR, 6 IMLA, 3.6MM PITCH, 21.6MM	dwg no 10078550	Rev. A
	catalog no -	CUSTOMER	sheet 2 of 3

REV F - 2006-04-17

2

3

PRODUCT NUMBER	PRESS-FIT TAIL PLATING TYPE
10078550-101	TIN/LEAD ALLOY OVER NICKEL
10078550-101LF	TIN OVER NICKEL (LEAD FREE)

- ① - CONNECTOR MATERIALS:
HOUSING: HIGH TEMP THERMOPLASTIC, BLACK, UL94-V0
IMLA PLASTIC: HIGH TEMP THERMOPLASTIC, BLACK, UL94-V0
CONTACT: COPPER ALLOY
ORGANIZER: STAINLESS STEEL
- 2 - CONTACT PLATING:
SEPARABLE INTERFACE:
PERFORMANCE-BASED PLATING, QUALIFIED TO MEET THE REQUIREMENTS OF FCI PRODUCT SPECIFICATION GS-12-452 INCLUDING TELCORDIA GR-1217-CORE (NOVEMBER 1995) CENTRAL OFFICE TEST SEQUENCE
- PRESS-FIT TAILS: SEE TABLE
- 3 - PRODUCT SPECIFICATION: GS-12-452
- 4 - APPLICATION SPECIFICATION: GS-20-094
- ⑤ - PRODUCT MARKING, (PART NUMBER & LOT CODE), ON THIS SURFACE.
- ⑥ - THE MINIMUM CENTERLINE SPACING BETWEEN ADJACENT MODULES IS 21.6MM.
- ⑦ - THERE IS NO GROUND BUSSING WITHIN THE CONNECTOR EXCEPT FOR POSITIONS R1, R2, R3, R4, R5, & R6. THESE MUST BE ASSIGNED AS GROUNDS.

- ⑧ - REFER TO CUSTOMER DRAWING 10045979 FOR INFORMATION ON PCB HOLE DIAMETERS AND PLATING OPTIONS
- 9 - LEAD FREE PRODUCT MEETS THE EUROPEAN UNION DIRECTIVES & OTHER COUNTRY REGULATIONS AS DESCRIBED IN GS-22-008
- 10 - THE HOUSING WILL WITHSTAND EXPOSURE TO 260°C PEAK TEMPERATURE FOR 40 SECONDS IN A CONVECTION, INFRA-RED, OR VAPOR PHASE REFLOW OVEN.
- 11 - PACKAGING MEETS GS-14-920 LEAD FREE LABELING SPECIFICATION.



Copyright FCI.

	title ZipLine R/A REC ASSY 6 PAIR, 6 IMLA, 3.6MM PITCH, 21.6MM	dwg no 10078550	Rev. A
	catalog no -	CUSTOMER	sheet 3 of 3