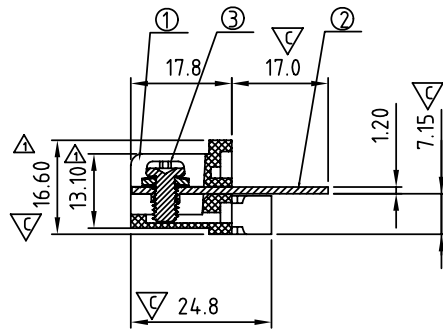
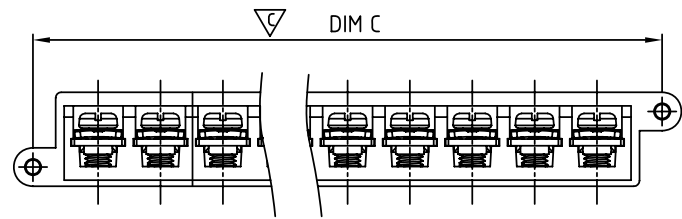
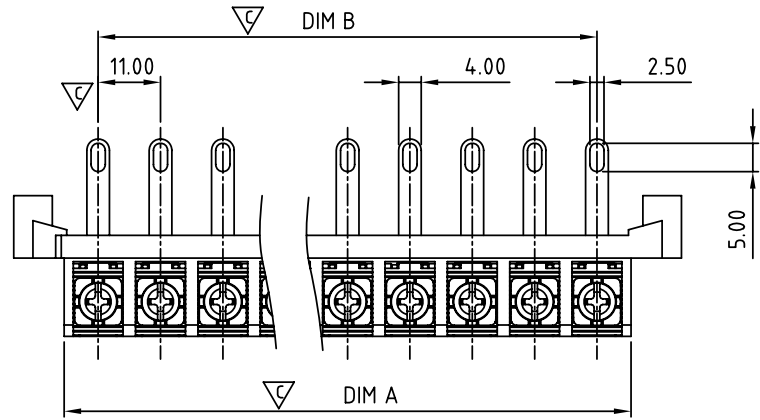


SIGN	DATE	DESCRIPTION	APPROVER
△	10/23'06	Added demention 16.60 and 13.10	Steady
△	5/20'09	Voltage & Current changed from DC 24V,30A to 300V,20A	Eris
△	5/20'09	Temperature changed from -40°C-105°C to -40°C-115°C	Eris
△	5/20'09	Screw torque value changed from 10Kgf.cm to 11lb-In	Eris
△	5/20'09	Add approval "CULUS"	Eris
△	01/12'10	The Dimension is changed from : N×11.0+0.6 to N×11.0+0.2	Seamus
△	10/22'12	Change the screw plating specification	Jacky
<i>THIS IS CAD DRAWING, DO NOT REVISE MANUALLY!!!</i>			



**MATERIALS ELECTRICAL**

△ RATED VOLTAGE & CURRENT: 300V, 20 A  
 WITHSTAND VOLTAGE: AC 2000 V/Min  
 INSULATION RESISTANCE: 1000 MΩ OR MORE AT DC 500 V  
 △ OPERATING TEMPERATURE RANG: -40 °C ~ +115 °C  
 △ SCREW TORQUE VALUE: 11Lb-In  
 WIRE RANGE: 22-12 AWG  
 1) MOLDED PARTS: Thermoplastic ( UL 94 V-0 )  
 2) TERMINAL: BRASS, 1.2t, Tin PLATED  
 △ 3) TERMINAL SCREWS: STEEL, M4  
 △ APPROVAL:   
 PART NO.:  
 Critical dimension: ▽

**YK 111 xx 3 x x 00G**

NO. OF POLES  
 02: 2 POLES  
 03: 3 POLES  
 04: 4 POLES  
 ...  
 30: 30 POLES

G:RoHS compliant(lead<4%  
 in copper alloy  
 MARK  
 0: "@ " MARK  
 1: "ANY " MARK  
 TERMINAL & SCREW PLATED  
 0: TERMINAL & SCREW: G/F  
 △ 1: TERMINAL: G/F, SCREW: Zinc  
 2: TERMINAL: Sn, SCREW: G/F  
 △ 3: TERMINAL: Sn, SCREW: Zinc

Dimension A&B&C

DIM A	N×11.0+0.2	△
DIM B	(N-1)×11.0	
DIM C	(N+1)×11+1	

N=Number of contacts

Poles	A&B Tolerance
2P-8P	±0.20
9P-14P	±0.30
15P-20P	±0.40
21P-24P	±0.50
25P-30P	±0.60

**ANYTEK**

**CUSTOMER COPY**

ALL RIGHTS RESERVED. REPRODUCTION OR ISSUE TO THIRD PARTIES IN ANY FORM WHATSOEVER IS NOT PERMITTED WITHOUT WRITTEN AUTHORITY FROM THE PROPRIETOR. PROPERTY OF ANYTEK TECHNOLOGY CO., LTD

TITLE		YK-111 W/Flange Series			
PART NO.		YK111xx3xx00G		DWG NO.	8YK0001-111
APPROVED	CHECKED	DESIGNED	DRAWN	CUST NO.	
		Jacky 2012.10.22	Jacky 2012.10.22		
				Tolerance	
				UNIT: mm	X. ±0.50
				SCALE: NONE	X.X ±0.30
				SHEET: 01/01	X.XX ±0.10
				REV: F	X° ±1°