

Peak Emission Wavelength: 1550nm



**Description**

- Size 1206: 3.2 (L) x 1.6 (W) x 1.2 (H) mm
- Circuit substrate: glass laminated epoxy
- Devices are RoHS conform
- Lead free solderable, soldering pads: gold plated
- Marking at anode
- High radiation intensity

Absolute Maximum Ratings (Ta=25°C)



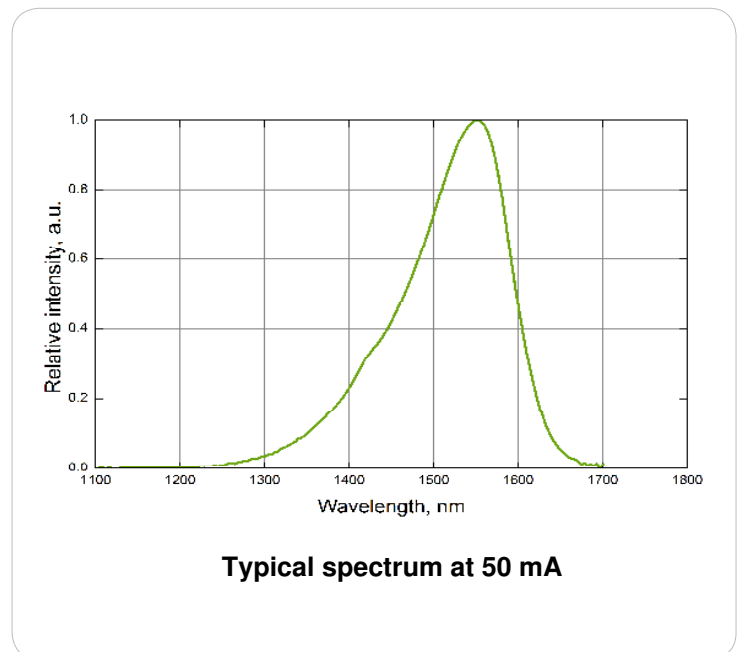
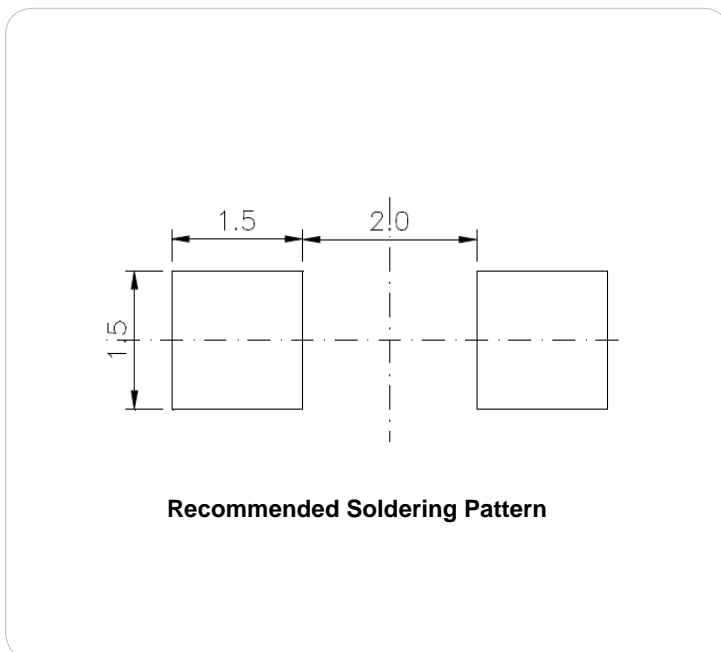
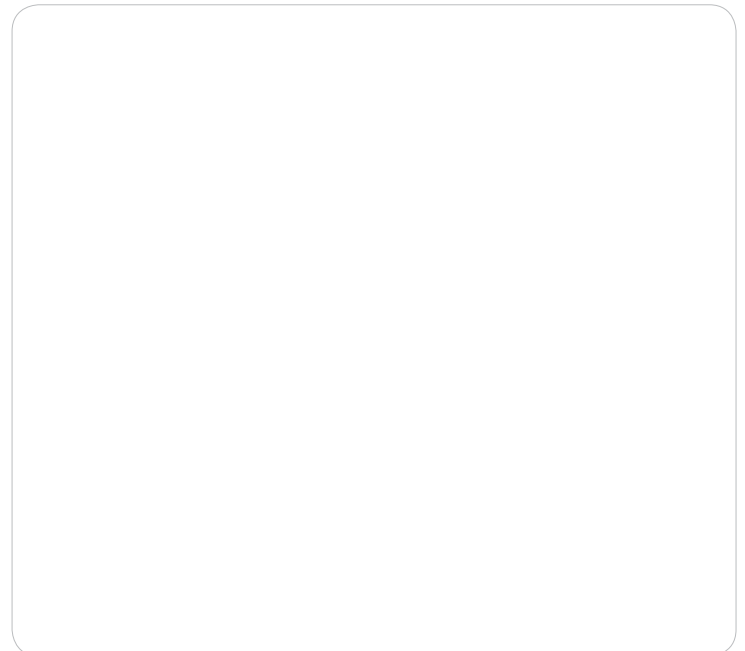
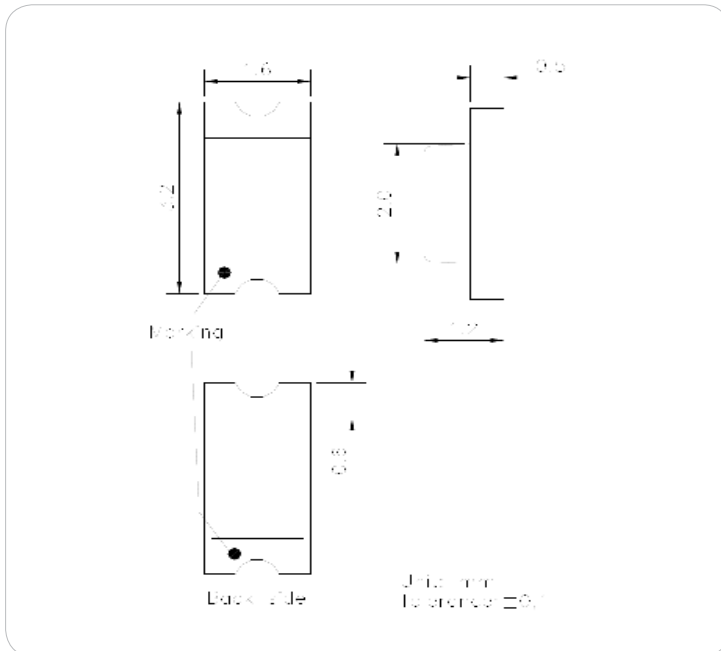
ITEMS	SYMBOL	RATINGS	UNIT
Forward DC Current	If	50	mA
Peak Forward Current *	Ifp	<b>100</b>	mA
Reverse Voltage	Vr	5	V
Operating Temperature	Top	-40 to +85	°C
Storage Temperature	Tst	-55 to +85	°C
Thermal Resistance RthJA		450	K/W

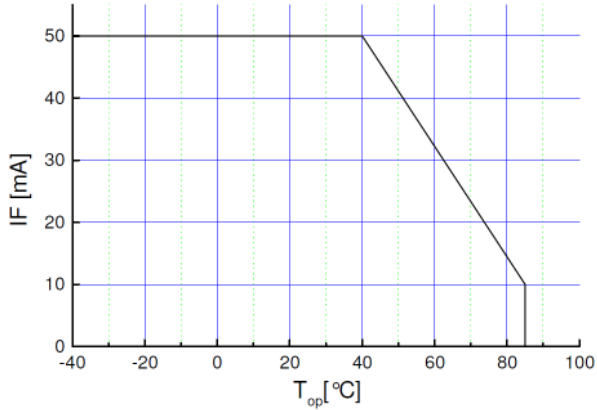
\* tp ≤ 100 us, T=1:10

Electrical & Optical Characteristics (Ta = 25°C)

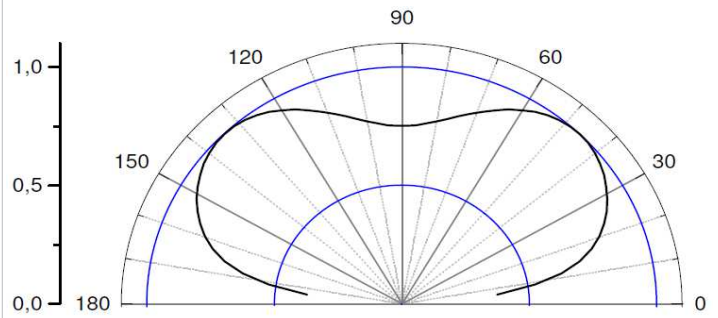
ITEMS	SYMBOL	CONDITION	MIN	TYP	MAX	UNIT
Forward Voltage	Vf	If=50mA	--	1.05	--	V
Peak Wavelength	λp	If=50mA	--	1550	--	nm
Power Output	Po	If=50mA	--	6	--	mW
Spectral Width	Δλ0.5	If=50mA	--	120	--	nm
Viewing Angle	φ	If=50mA	--	120	--	deg

Package Dimensions

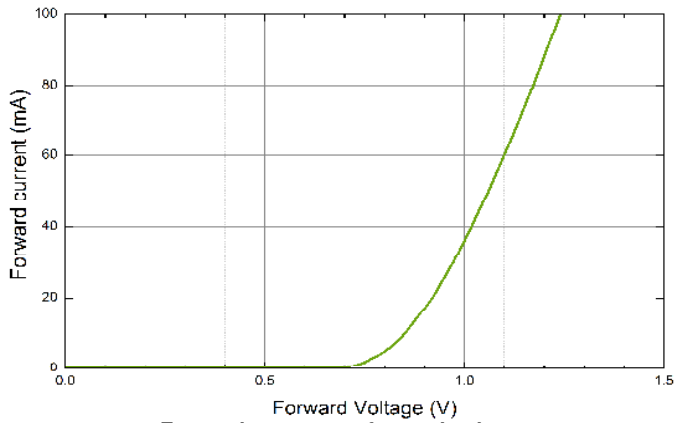




**Maximal forward current (DC) characteristic**



**Radiation Pattern**



**Forward current vs. forward voltage**

