

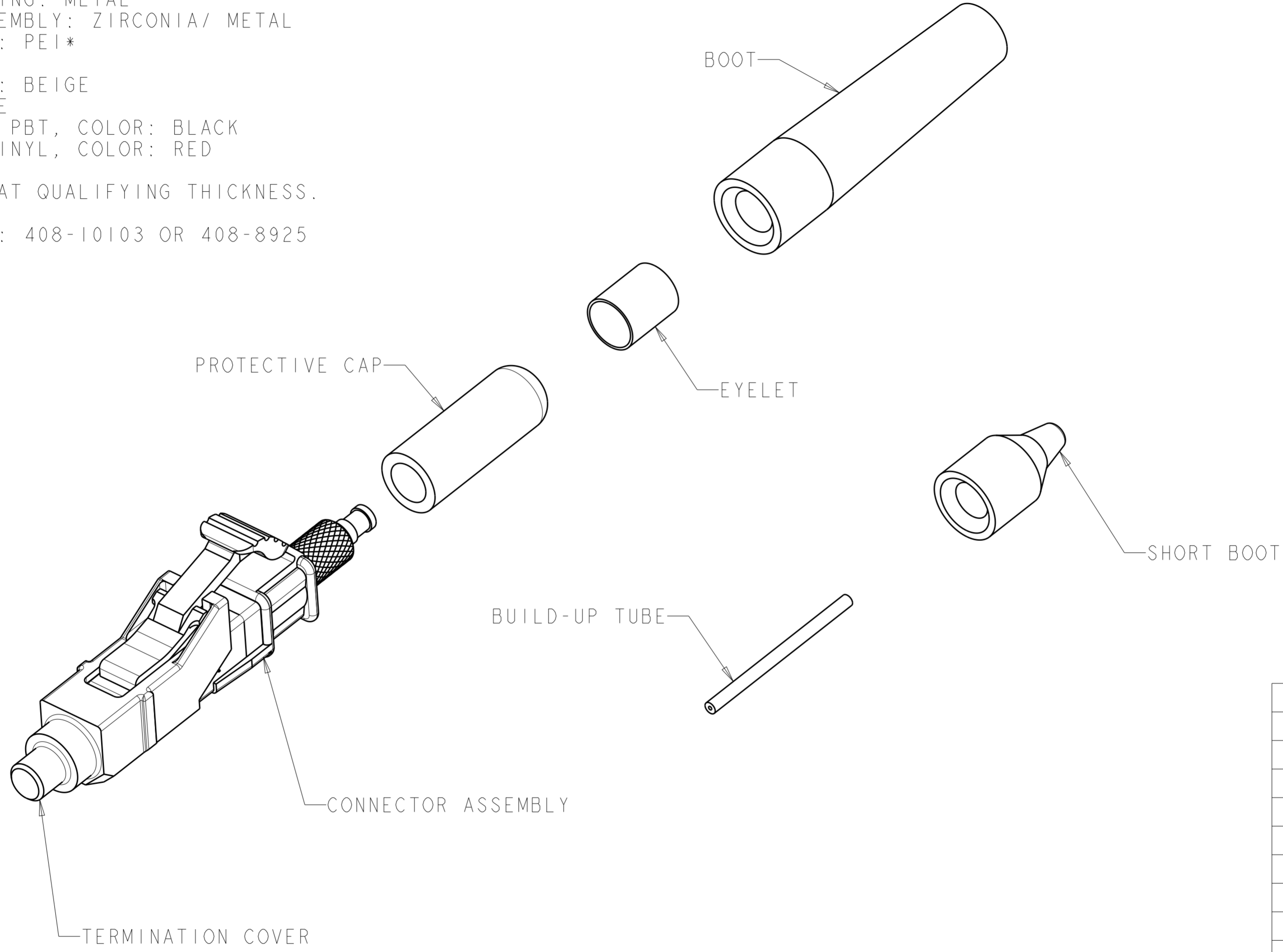
THIS DRAWING IS UNPUBLISHED. RELEASED FOR PUBLICATION 20
 © COPYRIGHT 20 BY - ALL RIGHTS RESERVED.

LOC	DIST	REVISIONS					
CE	00	P	LTR	DESCRIPTION	DATE	DWN	APVD
			A	RELEASED. ECO-12-018280	23OCT2012	JM	TE

⚠ MATERIAL:
 CONNECTOR ASSEMBLY:
 CONNECTOR HOUSING: PPSU, COLOR: SEE -NO'S*
 REAR BODY: METAL
 COMPRESSION SPRING: METAL
 FERRULE SUB ASSEMBLY: ZIRCONIA/ METAL
 INTERNAL SPLICE: PEI*
 PLUNGER: METAL
 BOOTS: TPE, COLOR: BEIGE
 BUILD-UP TUBE: TPE
 TERMINATION COVER PBT, COLOR: BLACK
 PROTECTIVE CAP: VINYL, COLOR: RED

*UL 94 V-0 RATED AT QUALIFYING THICKNESS.

2. INSTRUCTION SHEETS: 408-10103 OR 408-8925



SLATE	1-1985961-0
ORANGE	1985961-9
VIOLET	1985961-8
BROWN	1985961-7
AQUA	1985961-6
ROSE	1985961-5
BLUE	1985961-4
GREEN	1985961-3
YELLOW	1985961-2
RED	1985961-1
KEYED HOUSING COLOR	PART NO.

THIS DRAWING IS A CONTROLLED DOCUMENT.

DWN B. BRIGGS 01APR2008	TE Connectivity
CHK C. BENNETT 01APR2008	
APVD S. BUCHTER 01APR2008	
PRODUCT SPEC	
NAME KIT, CONNECTOR, LightCrimp Plus LC SECURE, SIMPLEX, MM62.5, 250um-2.0mm JACKET	
SIZE CAGE CODE DRAWING NO RESTRICTED TO	
A200779 C-1985961 -	
Customer Drawing SCALE 4:1 SHEET 1 OF 1 REV A	

DIMENSIONS:		TOLERANCES UNLESS OTHERWISE SPECIFIED:	
mm		0 PLC	±
		1 PLC	±
		2 PLC	±
		3 PLC	±
		4 PLC	±
		ANGLES	±
MATERIAL		FINISH	