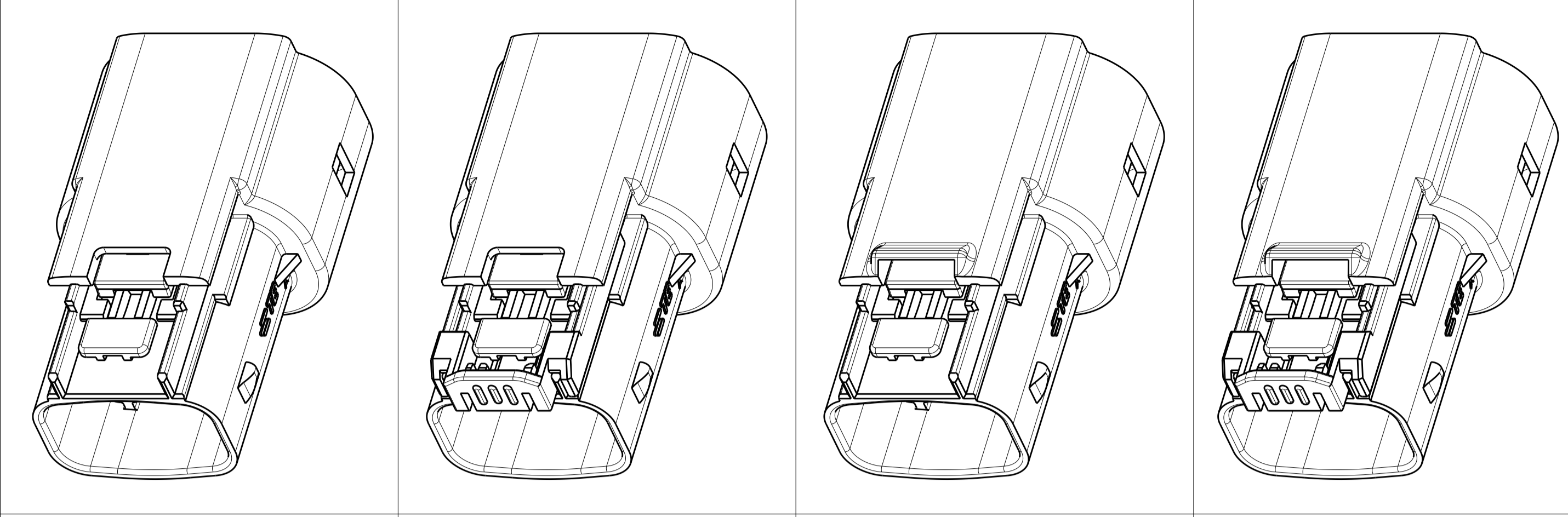
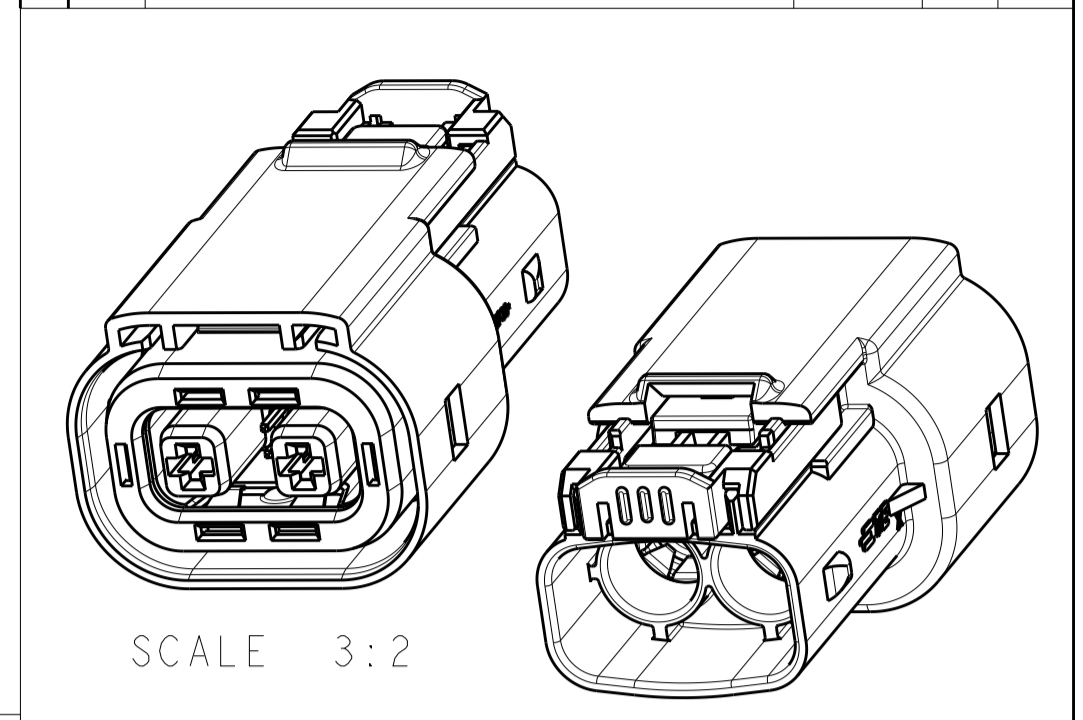


X-2103177-1 KEY A
 X-2103177-2 KEY B
 X-2103177-4 KEY D

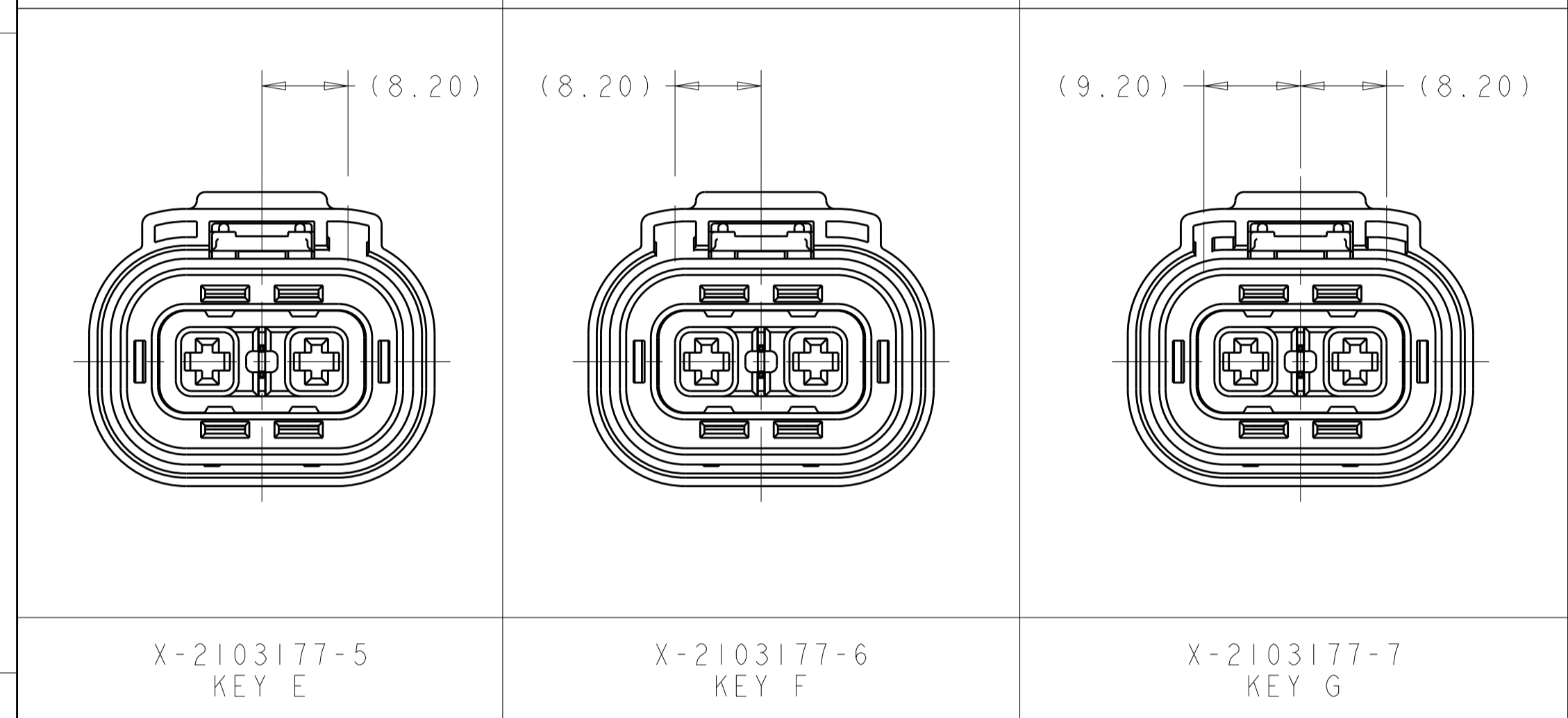


FINGER ACCESSIBLE LATCH WITHOUT CPA
 5-2103177-X AND 6-2103177-X
 FINGER ACCESSIBLE LATCH WITH CPA
 4-2103177-X
 TOOL ACCESSIBLE LATCH WITHOUT CPA
 1-2103177-X
 TOOL ACCESSIBLE LATCH WITH CPA
 2103177-X

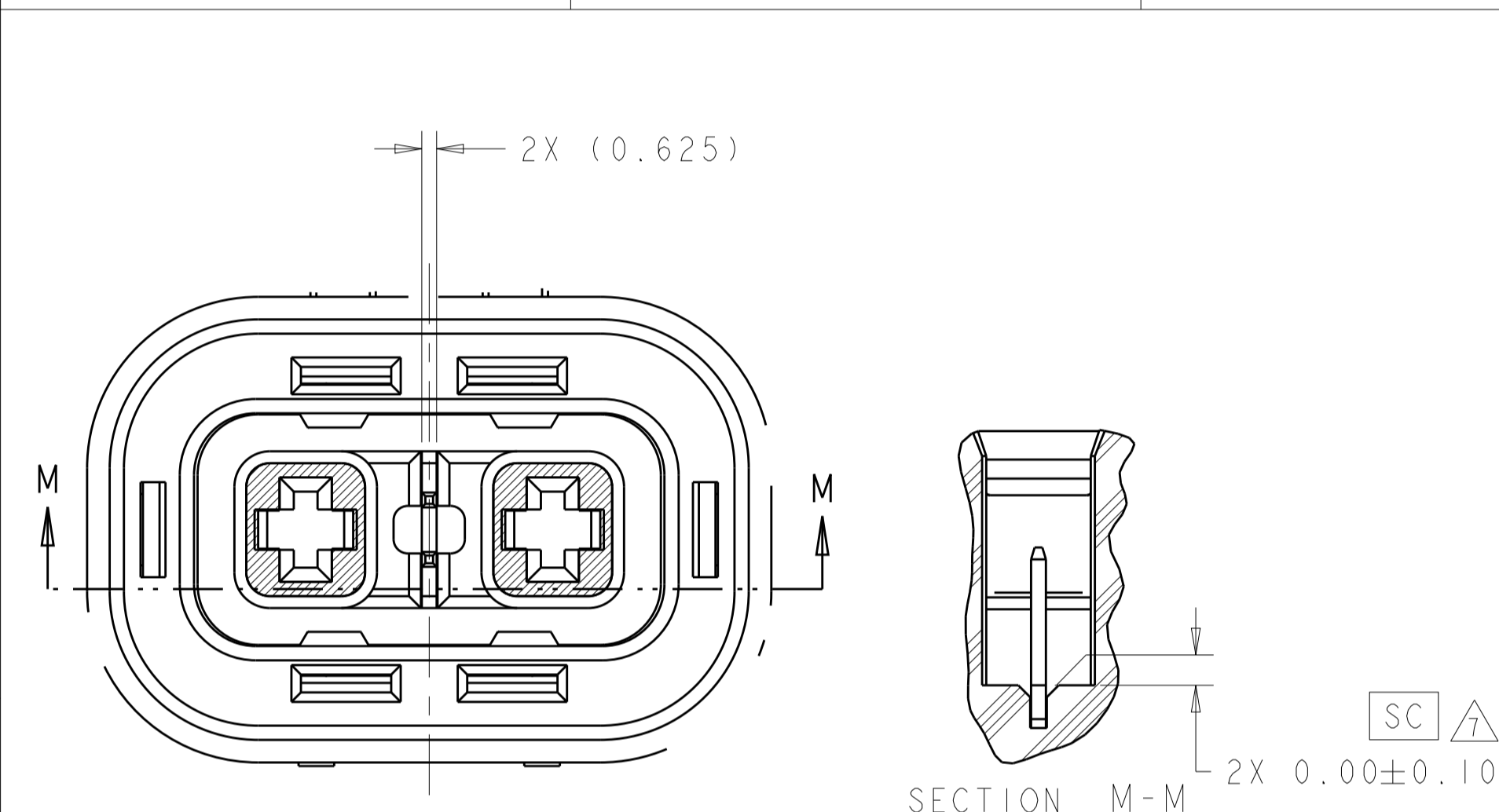
REVISIONS				
P. LTR	DESCRIPTION	DATE	OWN	APVD
B2	ECO-14-008515	06JUN2014	YS	AT
B3	ECO-17-003663	16MAR2017	YS	AG



SCALE 3:2
 SCALE 3:2

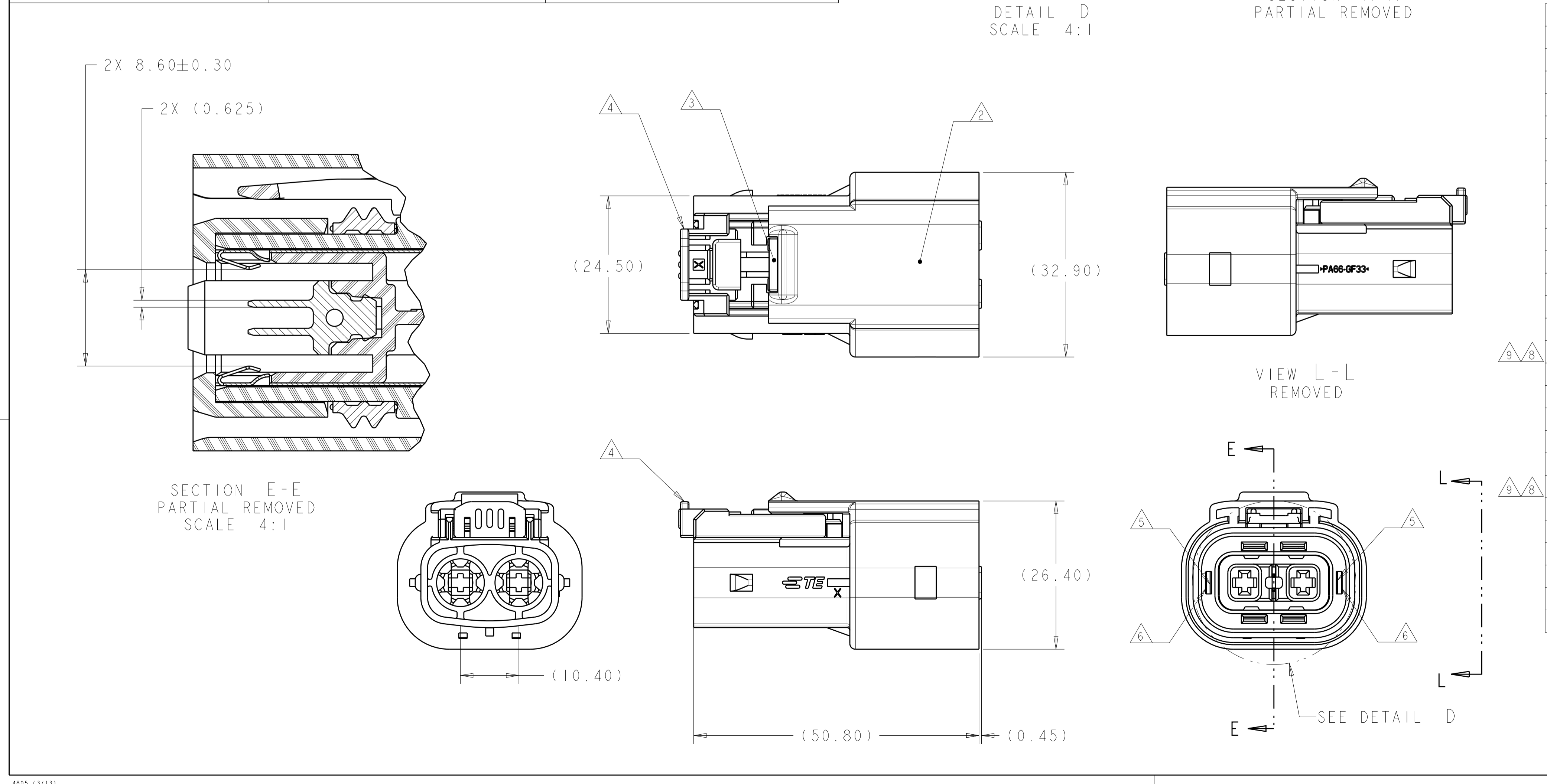


X-2103177-5 KEY E
 X-2103177-6 KEY F
 X-2103177-7 KEY G



DETAIL D
 SCALE 4:1
 SECTION M-M
 PARTIAL REMOVED
 2X 0.00±0.10

1. CONNECTOR MUST BE FREE OF ANY MECHANICAL DEFECTS WHICH MAY AFFECT FIT, FORM, OR PERFORMANCE
2. PART NUMBER AND JULIAN DATE CODE MARKED IN THIS AREA
3. FLOATING LATCH MUST BE FULLY INSTALLED AS SHOWN
4. CPA, WHEN PRESENT MUST BE INSTALLED IN PRE-STAGE POSITION AS SHOWN
5. INNER HOUSING SUB ASSEMBLY MUST BE FULLY LOCKED IN TWO LOCATIONS INTO OUTER HOUSING. INSPECTION PRIOR TO ASSEMBLY OF PERIPHERAL SEAL RETAINER PERMITTED
6. PERIPHERAL SEAL RETAINER MUST BE FULLY LOCKED IN TWO LOCATIONS INTO OUTER HOUSING.
7. MEASURE EACH STAMPING SHOULDER FLUSH CONDITION TO NEIGHBORING PLASTIC SURFACE
8. PRELIMINARY PART - NOT RELEASED FOR PRODUCTION
9. THIS PART HAS NOT COMPLETED VALIDATION TESTING



DESCRIPTION	REV	PART NO
PLUG ASSY, KEY E, HVA280-2PHI XE, FINGER ACCESSIBLE, BLACK	B	6-2103177-5
PLUG ASSY, KEY D, HVA280-2PHI XE, FINGER ACCESSIBLE, BLACK	B	6-2103177-4
PLUG ASSY, KEY B, HVA280-2PHI XE, FINGER ACCESSIBLE, BLACK	B	6-2103177-2
PLUG ASSY, KEY G, HVA280-2PHI XE, FINGER ACCESSIBLE	B	5-2103177-7
PLUG ASSY, KEY F, HVA280-2PHI XE, FINGER ACCESSIBLE	B	5-2103177-6
PLUG ASSY, KEY E, HVA280-2PHI XE, FINGER ACCESSIBLE	B	5-2103177-5
PLUG ASSY, KEY D, HVA280-2PHI XE, FINGER ACCESSIBLE	B	5-2103177-4
PLUG ASSY, KEY B, HVA280-2PHI XE, FINGER ACCESSIBLE	B	5-2103177-2
PLUG ASSY, KEY A, HVA280-2PHI XE, FINGER ACCESSIBLE	B	5-2103177-1
PLUG ASSY, KEY G, HVA280-2PHI XE, FINGER ACCESSIBLE WITH CPA	B	4-2103177-7
PLUG ASSY, KEY F, HVA280-2PHI XE, FINGER ACCESSIBLE WITH CPA	B	4-2103177-6
PLUG ASSY, KEY E, HVA280-2PHI XE, FINGER ACCESSIBLE WITH CPA	B	4-2103177-5
PLUG ASSY, KEY D, HVA280-2PHI XE, FINGER ACCESSIBLE WITH CPA	B	4-2103177-4
PLUG ASSY, KEY B, HVA280-2PHI XE, FINGER ACCESSIBLE WITH CPA	B	4-2103177-2
PLUG ASSY, KEY A, HVA280-2PHI XE, FINGER ACCESSIBLE WITH CPA	B	4-2103177-1
PLUG ASSY, KEY G, HVA280-2PHI XE, TOOL ACCESSIBLE	I	1-2103177-7
PLUG ASSY, KEY F, HVA280-2PHI XE, TOOL ACCESSIBLE	B	1-2103177-6
PLUG ASSY, KEY E, HVA280-2PHI XE, TOOL ACCESSIBLE	B	1-2103177-5
PLUG ASSY, KEY D, HVA280-2PHI XE, TOOL ACCESSIBLE	B	1-2103177-4
PLUG ASSY, KEY B, HVA280-2PHI XE, TOOL ACCESSIBLE	B	1-2103177-2
PLUG ASSY, KEY A, HVA280-2PHI XE, TOOL ACCESSIBLE	B	1-2103177-1
PLUG ASSY, KEY G, HVA280-2PHI XE, TOOL ACCESSIBLE WITH CPA	I	2103177-7
PLUG ASSY, KEY F, HVA280-2PHI XE, TOOL ACCESSIBLE WITH CPA	B	2103177-6
PLUG ASSY, KEY E, HVA280-2PHI XE, TOOL ACCESSIBLE WITH CPA	B	2103177-5
PLUG ASSY, KEY D, HVA280-2PHI XE, TOOL ACCESSIBLE WITH CPA	B	2103177-4
PLUG ASSY, KEY B, HVA280-2PHI XE, TOOL ACCESSIBLE WITH CPA	B	2103177-2
PLUG ASSY, KEY A, HVA280-2PHI XE, TOOL ACCESSIBLE WITH CPA	B	2103177-1

DESCRIPTION: PLUG ASSY HVA280-2PHI XE

REV: 1 PART NO: 2103177-1

THIS DRAWING IS A CONTROLLED DOCUMENT.

OWN: D SIMPSON 24FEB2011
 CHK: A TYLER 24FEB2011
 APVD: J ROLEWITZ 24FEB2011

PRODUCT SPEC: 108-2394
 APPLICATION SPEC: 114-13259

MATERIAL: - FINISH: -

WEIGHT: -

CUSTOMER DRAWING

SCALE: 2:1 SHEET 1 OF 1 REV: B3