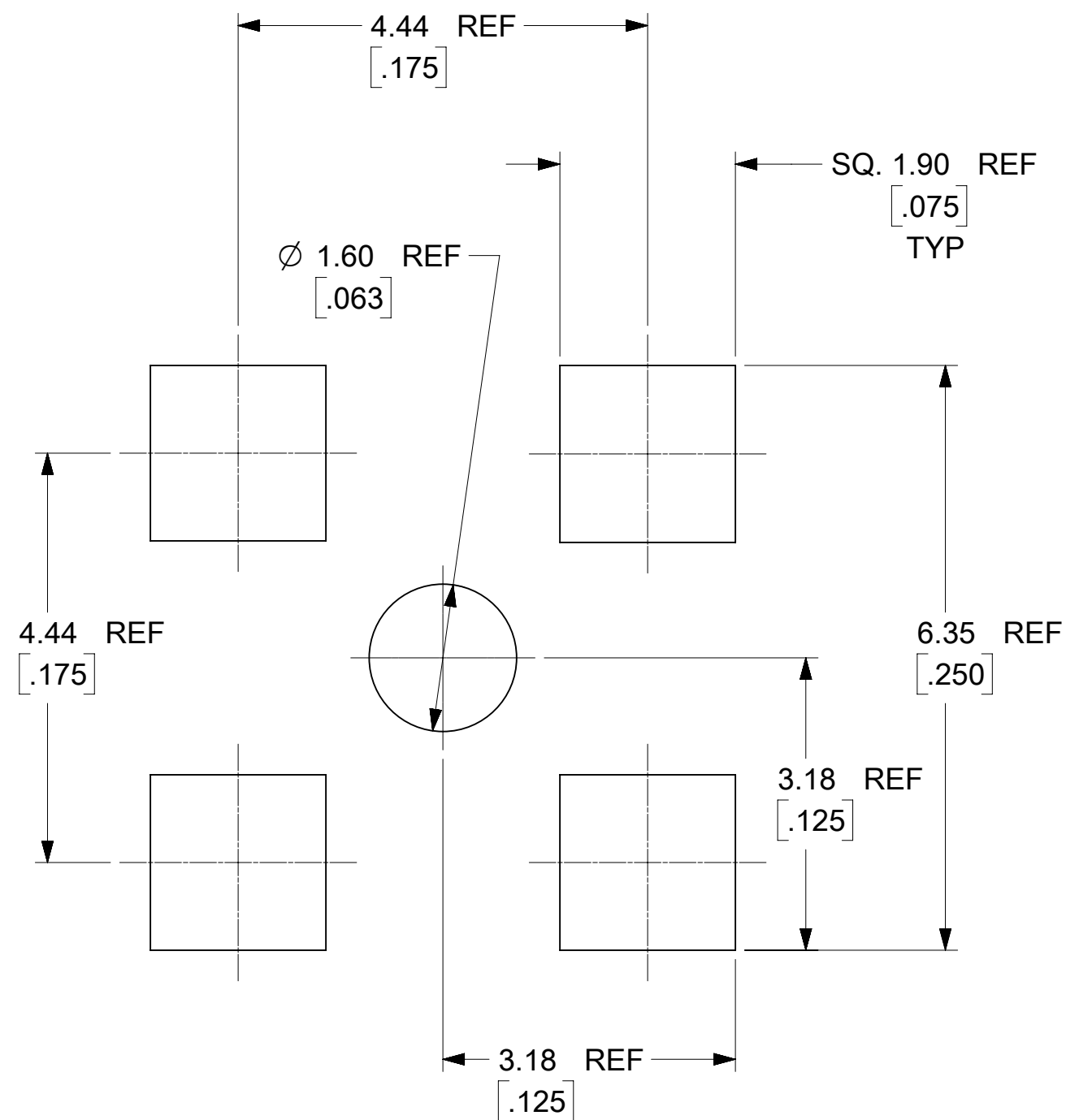
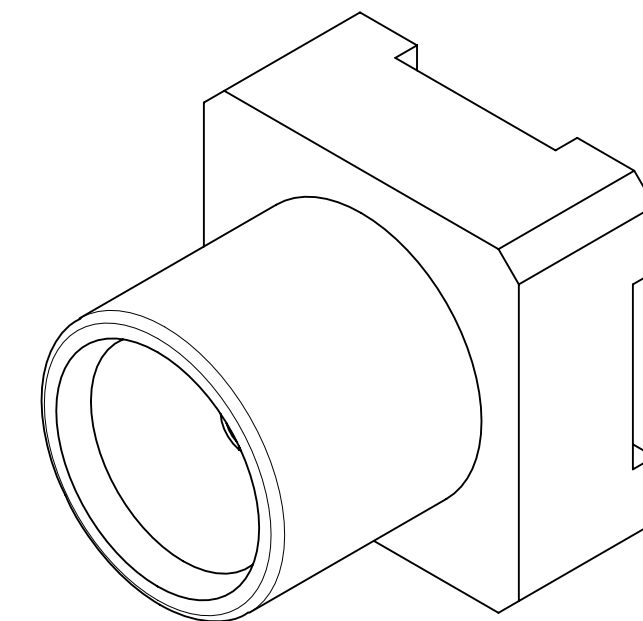


MATERIALS AND FINISHES:

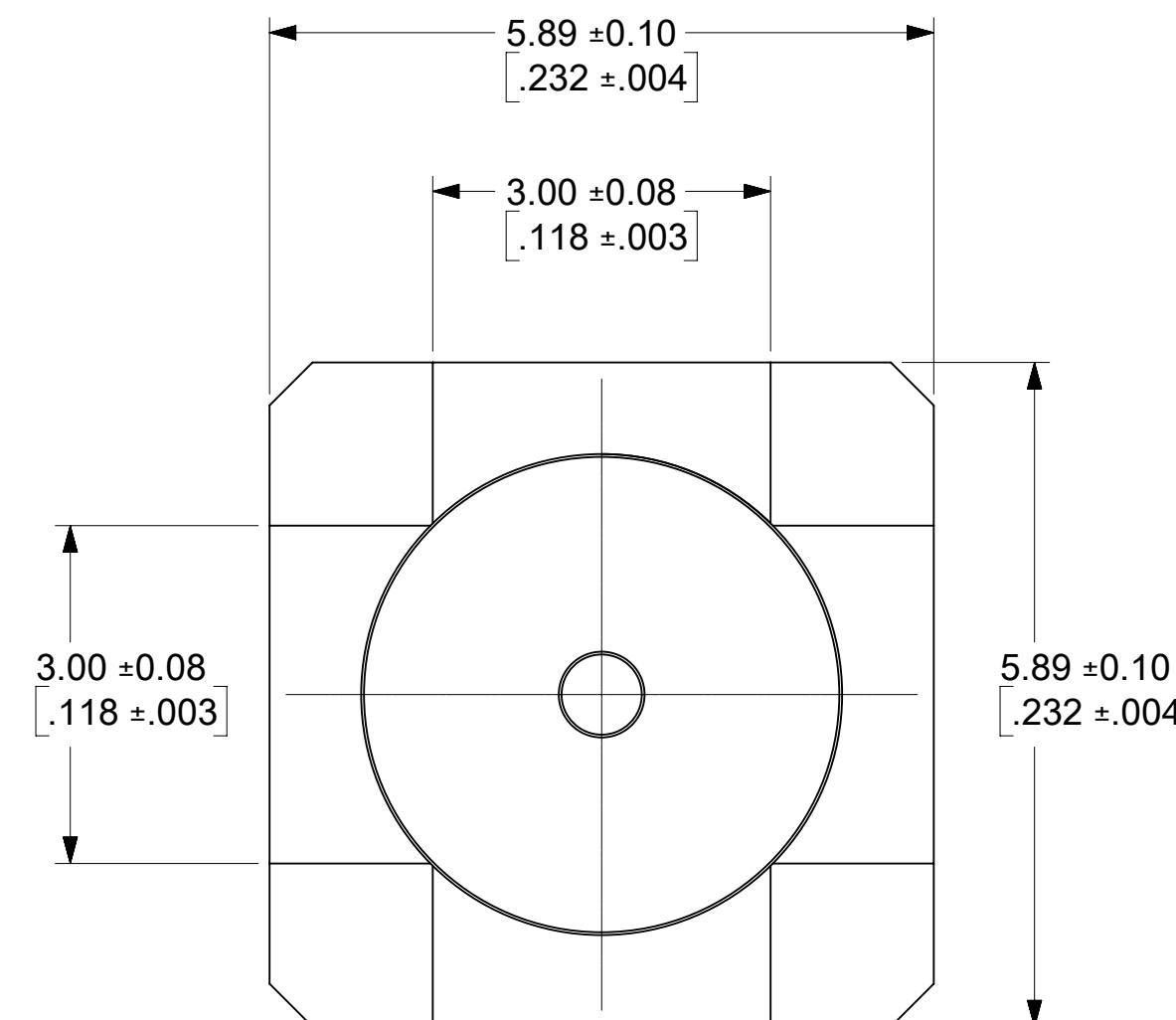
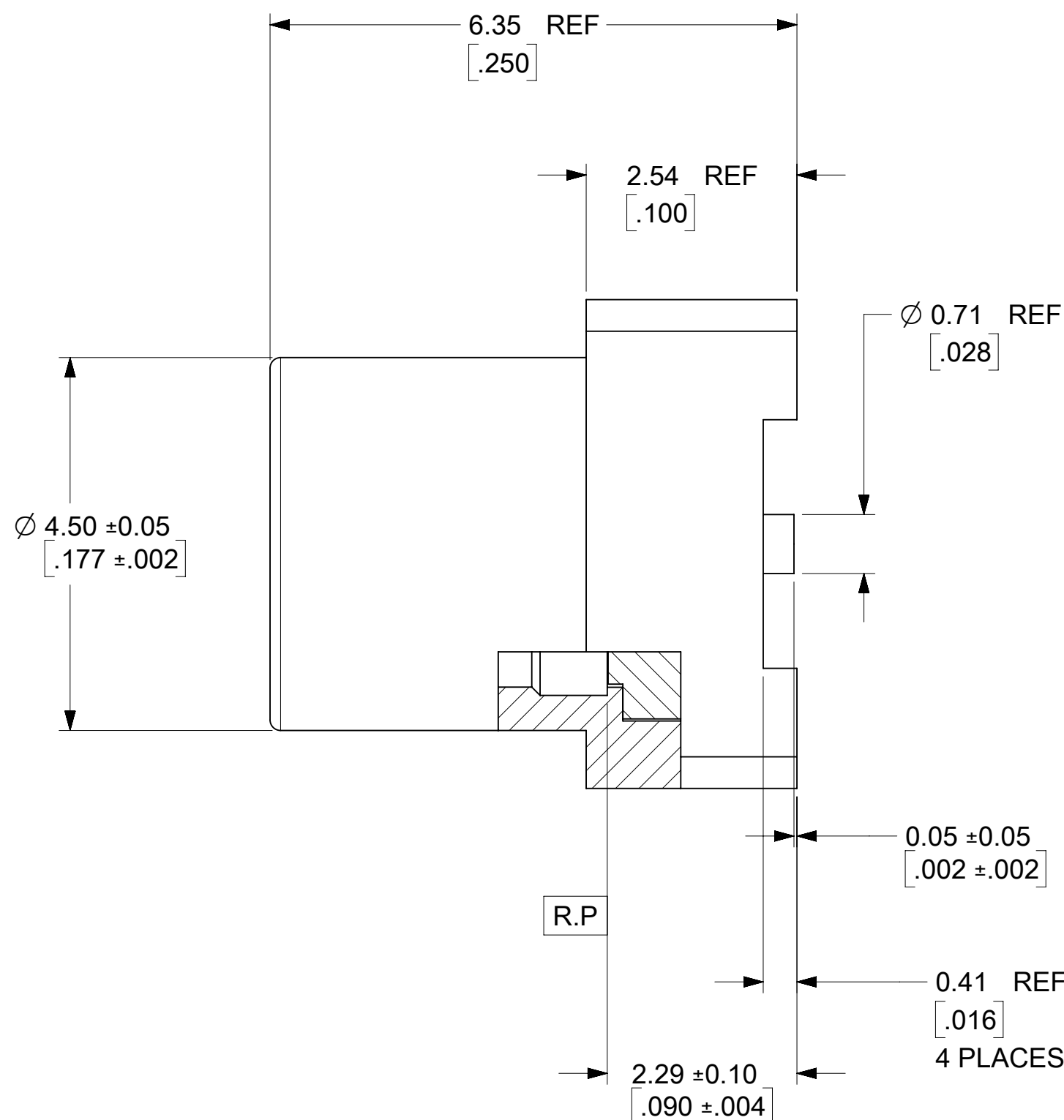
BODY: BRASS  
PLATED SEE TABLE

CENTER CONTACT: BERYLLIUM COPPER  
PLATED SEE TABLE

INSULATOR: PTFE



RECOMMENDED MOUTING PATTERN



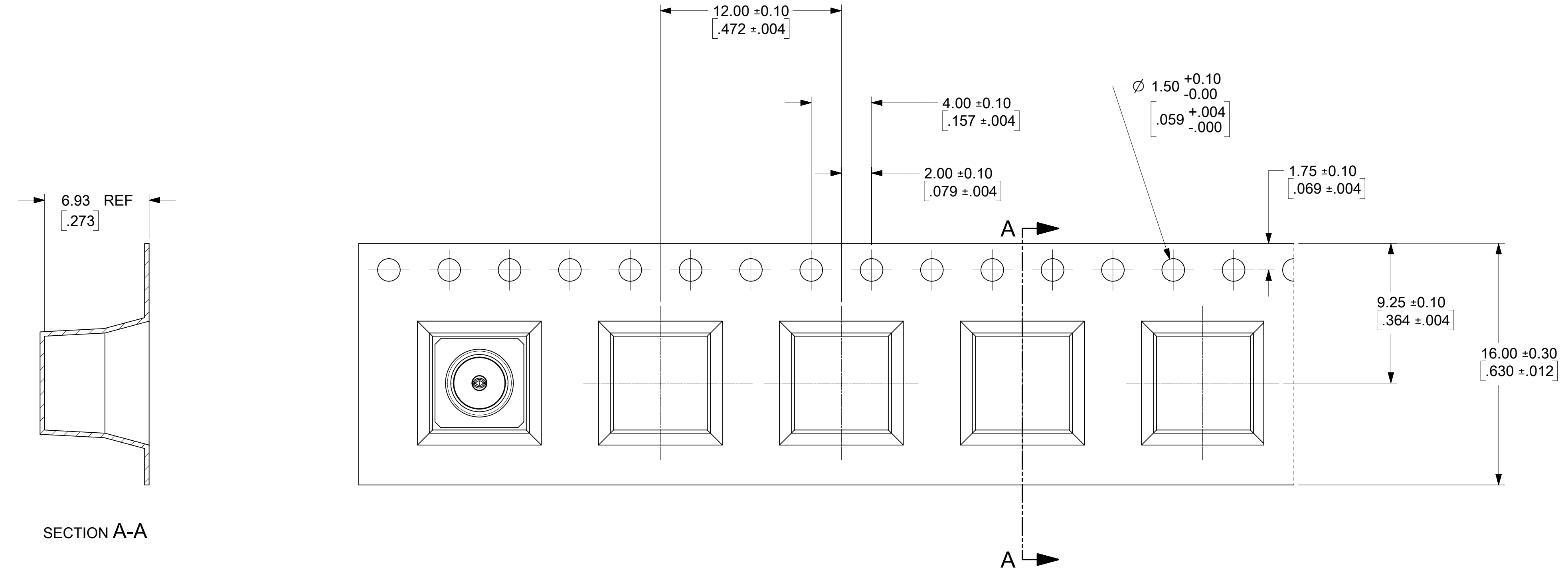
FUNCTIONAL SYMBOLS	THIS DRAWING CONTAINS INFORMATION THAT IS PROPRIETARY TO MOLEX ELECTRONIC TECHNOLOGIES, LLC AND SHOULD NOT BE USED WITHOUT WRITTEN PERMISSION													
	DIMENSION UNITS		SCALE		CURRENT REV DESC:									
$\frac{F}{A} = 0$	MM/INCH	NTS		EWR # 15426-A ADDED -1639 PART NO FOR TRAY PACKING										
$\frac{F}{C} = 0$	GENERAL TOLERANCES (UNLESS SPECIFIED)			EC NO: 720547						MCX JACK,PCB,SMT,75 OHMS MCX-J/PCB, EWR-11739				
$\frac{F}{P} = 0$				DRWN: JSU18 2022/09/08										
DIVISIONAL SYMBOLS	4 PLACES		±	±	CHK'D: YCHENG 2022/09/13						PRODUCT CUSTOMER DRAWING			
	3 PLACES		±	± 0.005	APPR: YCHENG 2022/09/13									
	2 PLACES		± 0.13	± 0.01	INITIAL REVISION:									
	1 PLACE		± 0.25	±	DRWN: TEF 2000/01/05						DOCUMENT NUMBER	DOC TYPE	DOC PART	REVISION
	0 PLACES		±	±	APPR: GMH 2000/01/05						SD-73415-163	PSD	001	A10
ANGULAR TOL ± 2.0 °				DRAFT WHERE APPLICABLE MUST REMAIN WITHIN DIMENSIONS		THIRD ANGLE PROJECTION		DRAWING	SERIES	MATERIAL NUMBER	CUSTOMER	SHEET NUMBER		
								C-SIZE	73415	SEE TABLE		1 OF 8		

73415-1639	SEE TABLE	P/N 73415-1631,TRAY (DU 3200PCS)
73415-1638	SEE TABLE	TAPE AND REEL (SPQ/DU 800PCS) WITH KAPTON TAPE OF 73415-1631
73415-1637	SEE TABLE	TAPE AND REEL (SPQ 800 PCS) WITHOUT KAPTON TAPE OF 73415-1630
73415-1636	SEE TABLE	TAPE AND REEL (SPQ 800 PCS) WITH KAPTON TAPE OF 73415-1630
73415-1635	SEE TABLE	P/N 73415-1631, ONE PIECE PER BAG
73415-1634	SEE TABLE	P/N 73415-1630, ONE PIECE PER BAG
73415-1633	SEE TABLE	TAPE AND REEL (SPQ 800 PCS) WITHOUT KAPTON TAPE OF 73415-1631
73415-1632	SEE TABLE	TAPE AND REEL (SPQ 800 PCS) WITH KAPTON TAPE OF 73415-1631
73415-1631	SEE TABLE	INDIVIDUAL, 100 PCS PER BAG
73415-1630	SEE TABLE	INDIVIDUAL, 100 PCS PER BAG
PART NO.	PLATING	PACKAGING

CONTACT	GOLD (10μ-in MIN)	GOLD (30μ-in MIN)
BODY	TRI-M3 (80μ-in MIN)	GOLD (10μ-in MIN)
PART NO.	73415-1630	73415-1631

FUNCTIONAL SYMBOLS FA = 0 FC = 0 FP = 0	THIS DRAWING CONTAINS INFORMATION THAT IS PROPRIETARY TO MOLEX ELECTRONIC TECHNOLOGIES, LLC AND SHOULD NOT BE USED WITHOUT WRITTEN PERMISSION		CURRENT REV DESC:		<b>molex</b>
	DIMENSION UNITS MM/INCH	SCALE NTS	EWR # 15426-A ADDED -1639 PART NO FOR TRAY PACKING		
DIVISIONAL SYMBOLS	GENERAL TOLERANCES (UNLESS SPECIFIED)		EC NO: 720547		MCX JACK,PCB,SMT,75 OHMS MCX-J/PCB, EWR-11739
	4 PLACES	±	±	2022/09/08	
	3 PLACES	±	± 0.005	2022/09/13	PRODUCT CUSTOMER DRAWING
	2 PLACES	±	0.13	± 0.01	
	1 PLACE	±	0.25	±	DOCUMENT NUMBER <b>SD-73415-163</b>
	0 PLACES	±	±	±	
	ANGULAR TOL	±	2.0 °		DOC PART 001
	DRAFT WHERE APPLICABLE MUST REMAIN WITHIN DIMENSIONS				REVISION A10
	THIRD ANGLE PROJECTION				SHEET NUMBER 2 OF 8
	DRAWING				
	SERIES				
	C-SIZE				
	73415				

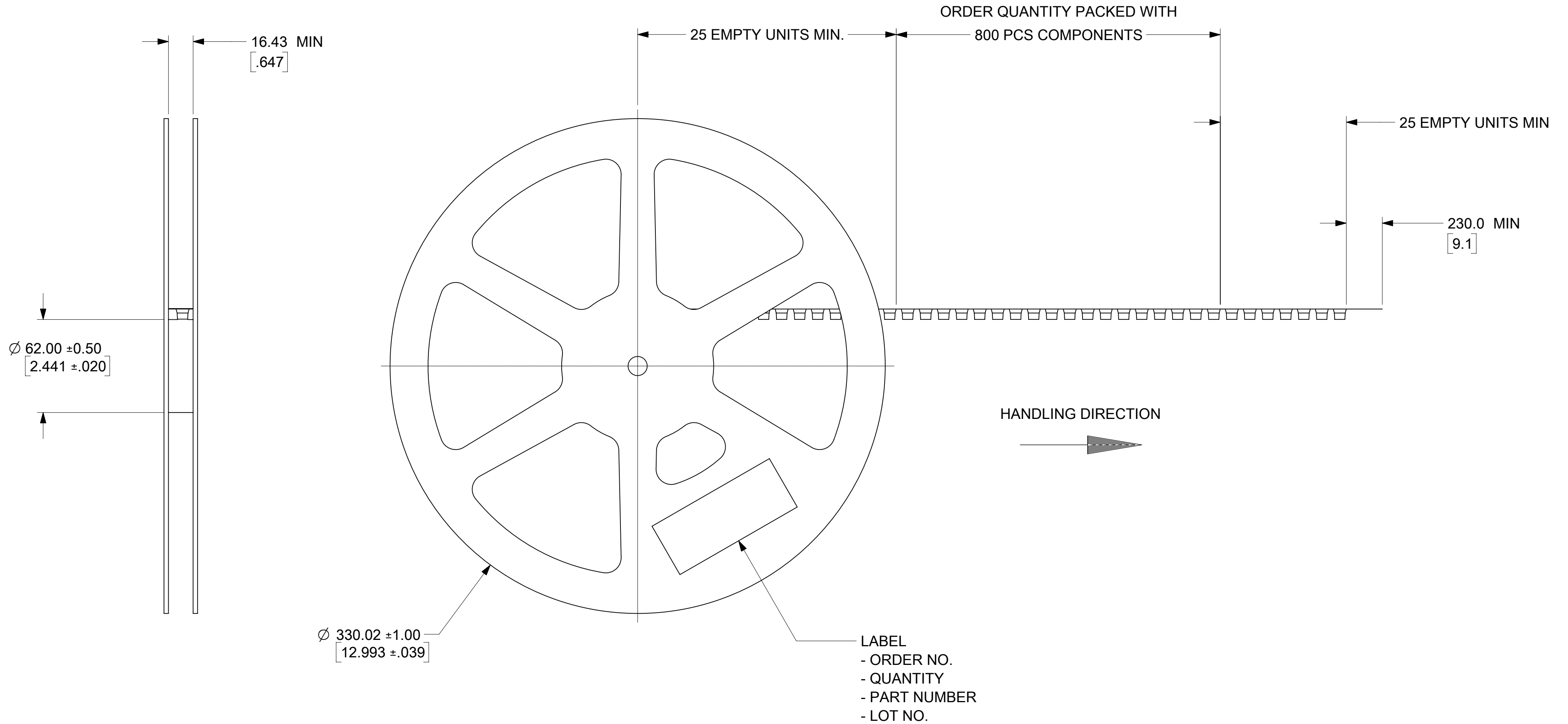
DOCUMENT STATUS	P1	RELEASE DATE	2022/09/13	10:28:02
-----------------	----	--------------	------------	----------



SECTION A-A

<b>FUNCTIONAL SYMBOLS</b> $\frac{F}{A} = 0$ $\frac{F}{C} = 0$ $\frac{F}{P} = 0$	THIS DRAWING CONTAINS INFORMATION THAT IS PROPRIETARY TO MOLEX ELECTRONIC TECHNOLOGIES, LLC AND SHOULD NOT BE USED WITHOUT WRITTEN PERMISSION															
	DIMENSION UNITS: <b>MM/INCH</b> SCALE: <b>NTS</b>		CURRENT REV DESC:													
	GENERAL TOLERANCES (UNLESS SPECIFIED)		EWR # 15426-A ADDED -1639 PART NO FOR TRAY PACKING													
	DIVISIONAL SYMBOLS 4 PLACES: ±     ± 3 PLACES: ±     ± 0.005 2 PLACES: ± 0.13 ± 0.01 1 PLACE: ± 0.25 ± 0 PLACES: ±     ± ANGULAR TOL: ± 2.0 °		EC NO: 720547 DRWN: JSU18 CHK'D: YCHENG APPR: YCHENG			2022/09/08 2022/09/13 2022/09/13		MCX JACK,PCB,SMT,75 OHMS MCX-J/PCB, EWR-11739								
DRAFT WHERE APPLICABLE MUST REMAIN WITHIN DIMENSIONS		THIRD ANGLE PROJECTION		DRAWING: <b>C-SIZE</b>		SERIES: <b>73415</b>		PRODUCT CUSTOMER DRAWING		INITIAL REVISION: DRWN: DRWN BY APPR: APPR BY		DOCUMENT NUMBER: <b>SD-73415-163</b>		DOC TYPE: <b>PSD</b>	DOC PART: <b>001</b>	REVISION: <b>A10</b>
MATERIAL NUMBER:		CUSTOMER:		SHEET NUMBER: <b>3 OF 8</b>												

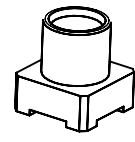
PART NO. 73415-1636  
 13" REEL SIZE FOR 800 PIECES



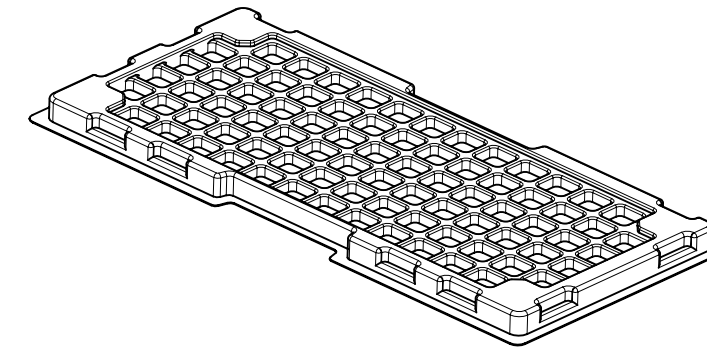
LABEL  
 - ORDER NO.  
 - QUANTITY  
 - PART NUMBER  
 - LOT NO.

FUNCTIONAL SYMBOLS										THIS DRAWING CONTAINS INFORMATION THAT IS PROPRIETARY TO MOLEX ELECTRONIC TECHNOLOGIES, LLC AND SHOULD NOT BE USED WITHOUT WRITTEN PERMISSION												
DIMENSION UNITS					SCALE					CURRENT REV DESC:					<p>MCX JACK,PCB,SMT,75 OHMS          MCX-J/PCB, EWR-11739</p> <p>PRODUCT CUSTOMER DRAWING</p>							
MM/INCH					NTS					EWR # 15426-A ADDED -1639 PART NO FOR TRAY PACKING												
GENERAL TOLERANCES (UNLESS SPECIFIED)										EC NO: 720547												
4 PLACES ±					±					DRWN: JSU18 2022/09/08												
3 PLACES ±					± 0.005					CHK'D: YCHENG 2022/09/13												
2 PLACES ±					± 0.13 ± 0.01					APPR: YCHENG 2022/09/13												
1 PLACE ±					± 0.25 ±					INITIAL REVISION:												
0 PLACES ±					±					DRWN: DRWN BY XXXX/XX/XX												
ANGULAR TOL ± 2.0 °					±					APPR: APPR BY XXXX/XX/XX												
DRAFT WHERE APPLICABLE MUST REMAIN WITHIN DIMENSIONS					THIRD ANGLE PROJECTION					DRAWING		SERIES			DOCUMENT NUMBER		DOC TYPE		DOC PART		REVISION	
										C-SIZE		73415			SD-73415-163		PSD		001		A10	
															MATERIAL NUMBER		CUSTOMER		SHEET NUMBER			
																			4 OF 8			

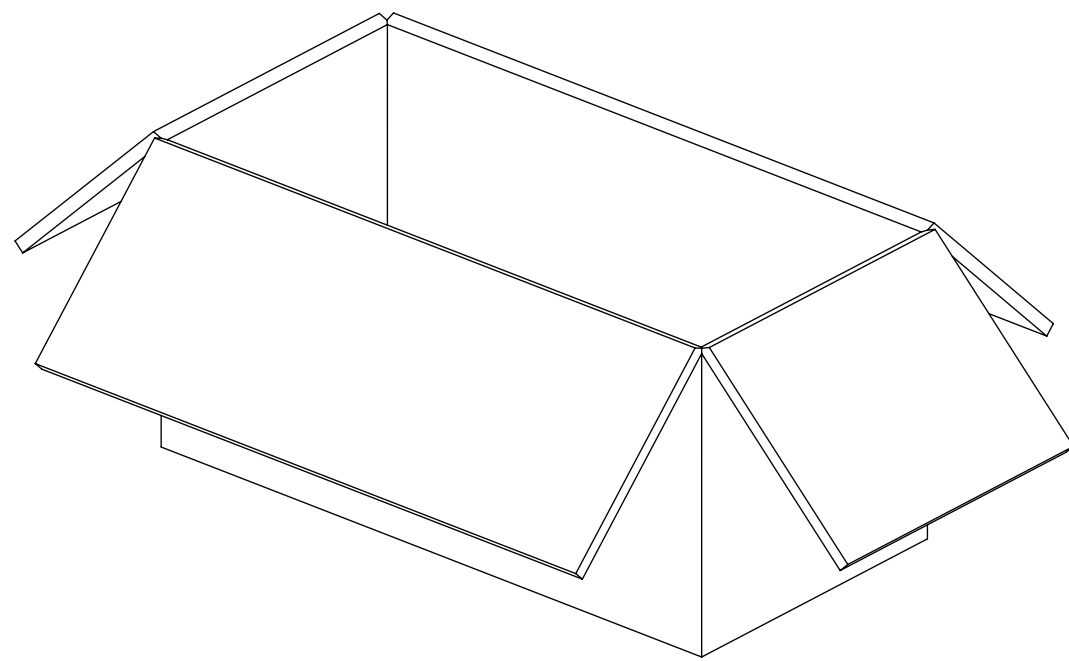
DOCUMENT STATUS	P1	RELEASE DATE	2022/09/13	10:28:02
-----------------	----	--------------	------------	----------



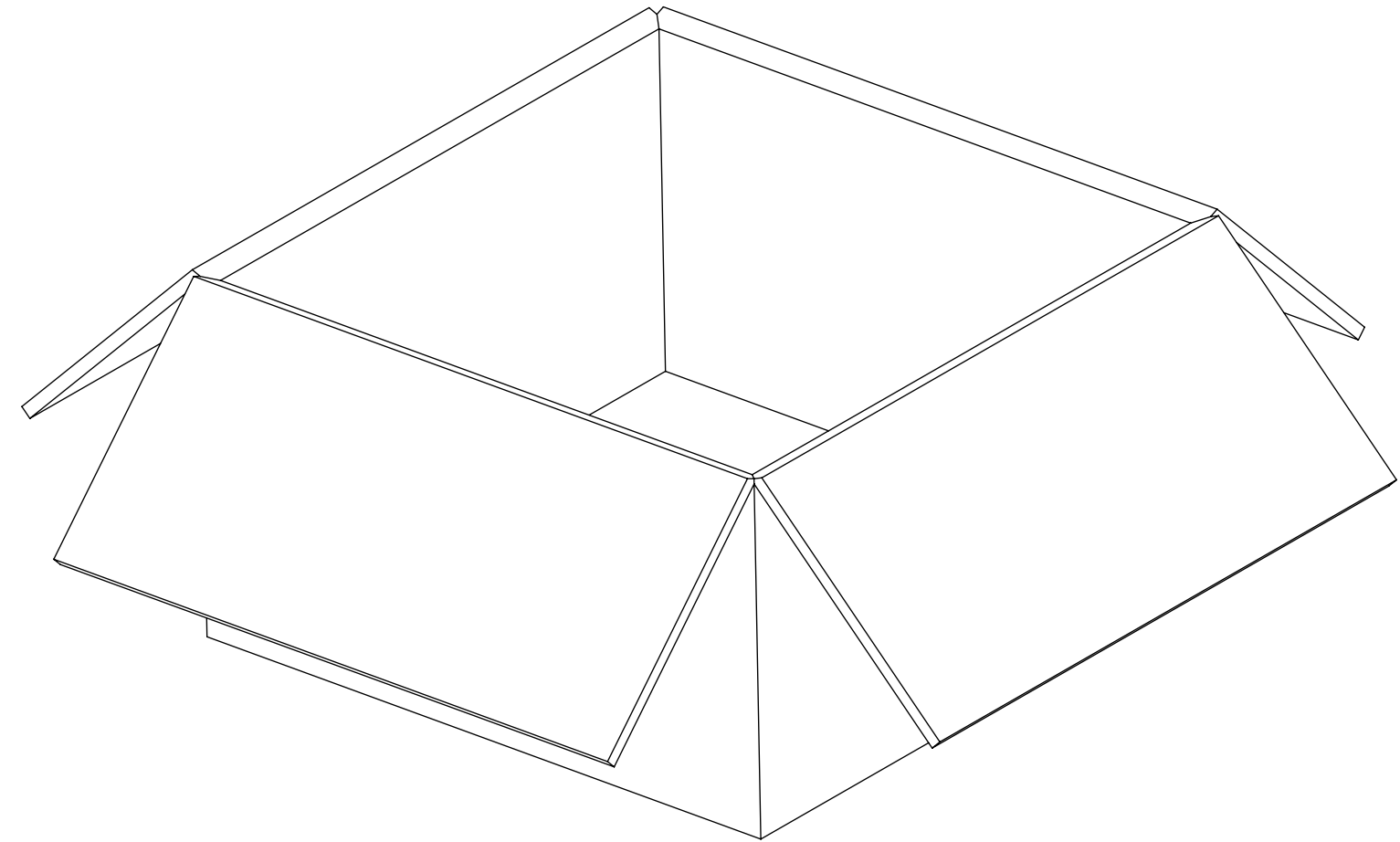
PART NO : 73415-1639



80 SET PER TRAY  
P/N: 89707-0190



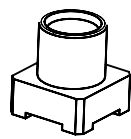
1600 SET PER INNER CARTON BOX  
P/N: 96707-0001  
L371mm X W184mm X D192mm



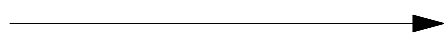
3200 SET PER OUTER CARTON BOX  
P/N: 96708-0005  
L394mm X W391mm X D212mm

FUNCTIONAL SYMBOLS	THIS DRAWING CONTAINS INFORMATION THAT IS PROPRIETARY TO MOLEX ELECTRONIC TECHNOLOGIES, LLC AND SHOULD NOT BE USED WITHOUT WRITTEN PERMISSION													
	DIMENSION UNITS		SCALE		CURRENT REV DESC:						<b>molex</b>			
$\frac{F}{A} = 0$	MM/INCH	NTS		EWR # 15426-A ADDED -1639 PART NO FOR TRAY PACKING										
$\frac{F}{C} = 0$	GENERAL TOLERANCES (UNLESS SPECIFIED)				EC NO: 720547									
DIVISIONAL SYMBOLS	4 PLACES		±	±	DRWN: JSU18		2022/09/08							
	3 PLACES		±	± 0.005	CHK'D: YCHENG		2022/09/13							
	2 PLACES		± 0.13	± 0.01	APPR: YCHENG		2022/09/13							
	1 PLACE		± 0.25	±	INITIAL REVISION:									
	0 PLACES		±	±	DRWN: DRAWN BY		0099/99/99							
ANGULAR TOL ± 2.0 °				APPR: APPR BY		0099/99/99				DOCUMENT NUMBER		DOC TYPE	DOC PART	REVISION
DRAFT WHERE APPLICABLE MUST REMAIN WITHIN DIMENSIONS				THIRD ANGLE PROJECTION		DRAWING	SERIES	MATERIAL NUMBER		CUSTOMER		SHEET NUMBER		
						C-SIZE	73415	SD-73415-163		PSD	001	A10		
												5 OF 8		

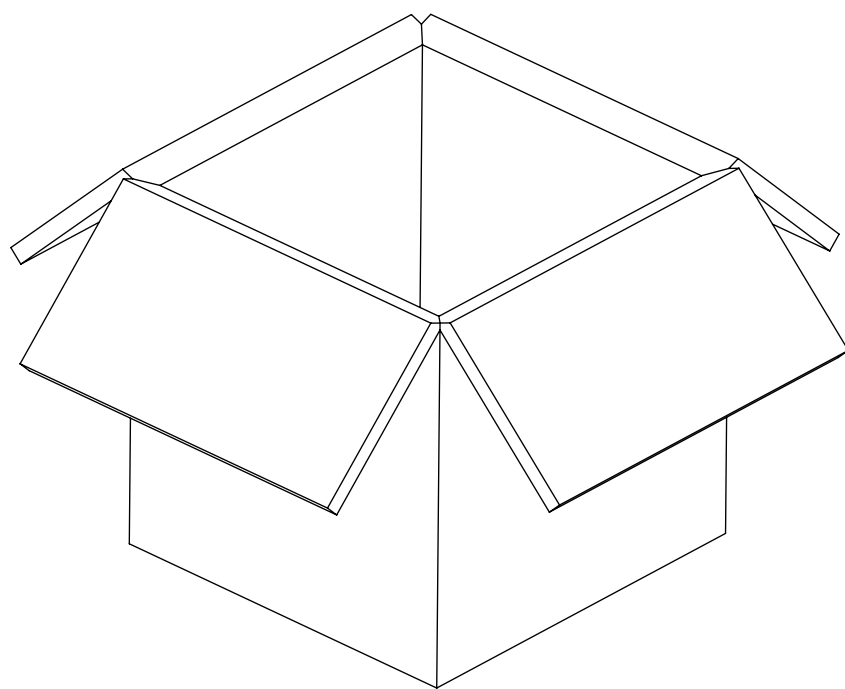
DOCUMENT STATUS	P1	RELEASE DATE	2022/09/13	10:28:02
-----------------	----	--------------	------------	----------



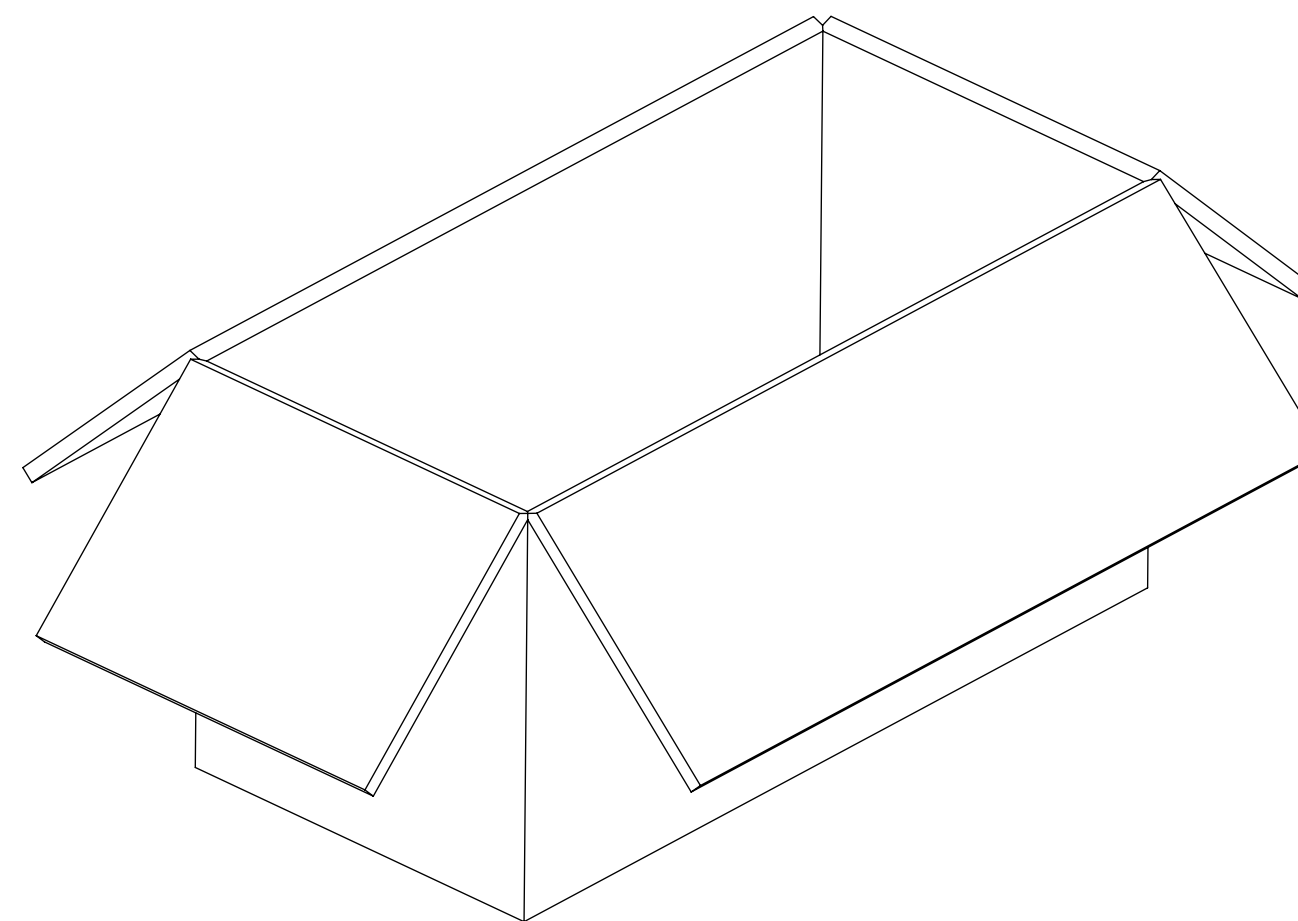
PART NO : 73415-1630  
PART NO : 73415-1631



100 SETS PER POLY BAG  
P/N: 89707-0001

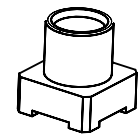


2000 SETS PER INNER  
CARTON BOX  
P/N: 96707-0005  
DIMENSION: 176X173X176MM

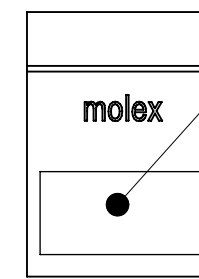
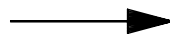


4000 SETS PER OUTER  
CARTON BOX  
P/N: 96707-0002  
DIMENSION: 564X176X176MM

FUNCTIONAL SYMBOLS	THIS DRAWING CONTAINS INFORMATION THAT IS PROPRIETARY TO MOLEX ELECTRONIC TECHNOLOGIES, LLC AND SHOULD NOT BE USED WITHOUT WRITTEN PERMISSION												
	DIMENSION UNITS		SCALE		CURRENT REV DESC:			<b>molex</b>					
$\frac{F}{A} = 0$	MM/INCH	NTS		EC NO: 720547 DRWN: JSU18 2022/09/08 CHK'D: YCHENG 2022/09/13 APPR: YCHENG 2022/09/13									
$\frac{F}{C} = 0$	GENERAL TOLERANCES (UNLESS SPECIFIED)												
DIVISIONAL SYMBOLS	MM		INCH		INITIAL REVISION: DRWN: DRAWN BY 0099/99/99 APPR: APPR BY 0099/99/99			DOCUMENT NUMBER		DOC TYPE	DOC PART	REVISION	
	4 PLACES	±	±					SD-73415-163		PSD	001	A10	
	3 PLACES	±	±	0.005									
	2 PLACES	±	0.13	±				0.01					
	1 PLACE	±	0.25	±									
	0 PLACES	±	±				MATERIAL NUMBER		CUSTOMER		SHEET NUMBER		
	ANGULAR TOL		±	2.0 °							6 OF 8		
DRAFT WHERE APPLICABLE MUST REMAIN WITHIN DIMENSIONS				THIRD ANGLE PROJECTION		DRAWING	SERIES						
						C-SIZE	73415						

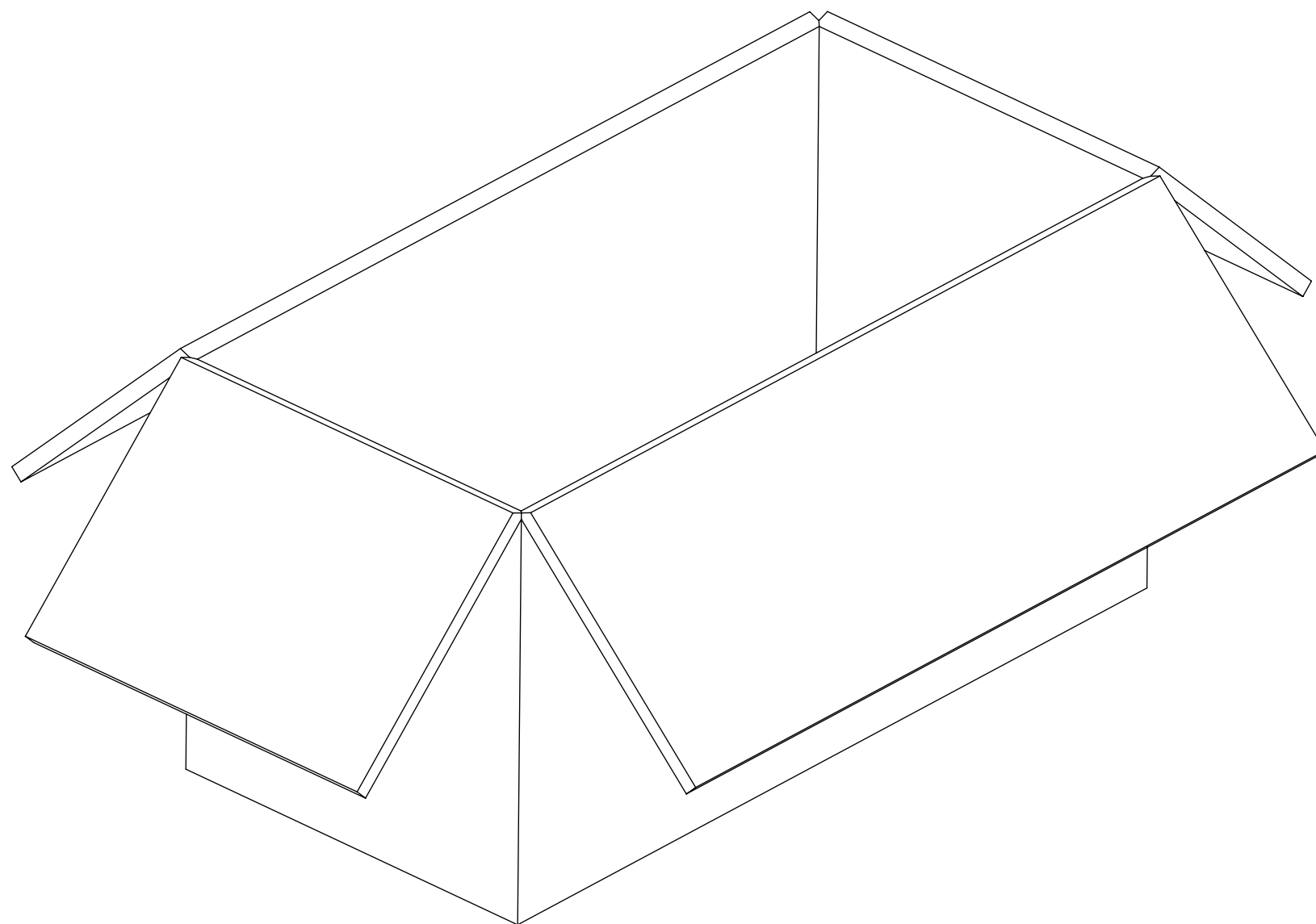


PART NO : 73415-1634

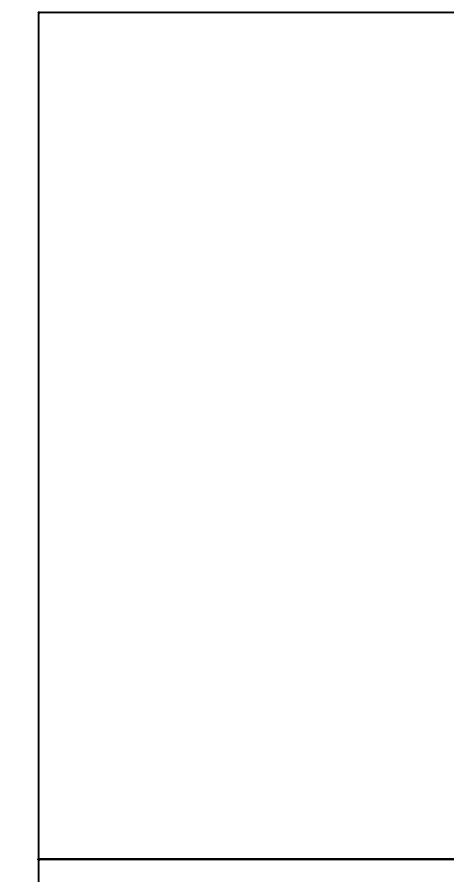
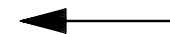


LABEL WITH EACH BAG  
 PART NUMBER  
 ORDER NUMBER  
 MOLEX  
 DATE: YYWW

ONE SET PER ZIPPER BAG  
 P/N: 89707-0317

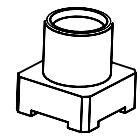


500 SETS PER CARTON BOX  
 P/N: 96707-0002  
 DIMENSION: 564X176X176MM

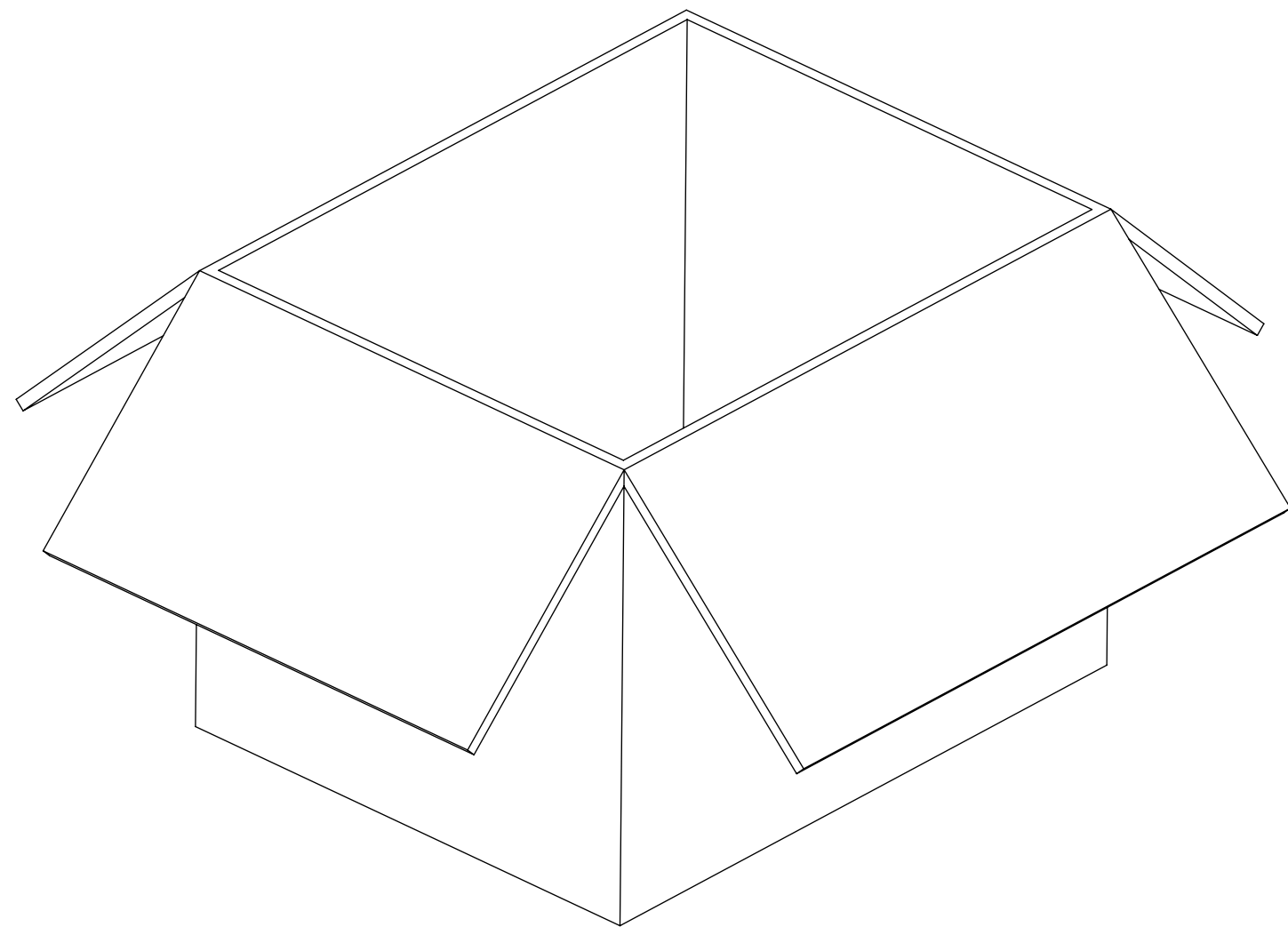


50 SETS PER BAG  
 P/N: 89707-0174

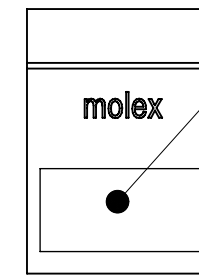
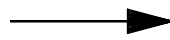
FUNCTIONAL SYMBOLS	THIS DRAWING CONTAINS INFORMATION THAT IS PROPRIETARY TO MOLEX ELECTRONIC TECHNOLOGIES, LLC AND SHOULD NOT BE USED WITHOUT WRITTEN PERMISSION													
	DIMENSION UNITS		SCALE		CURRENT REV DESC:						<b>molex</b>			
$\frac{F}{A} = 0$	MM/INCH	NTS		EWR # 15426-A ADDED -1639 PART NO FOR TRAY PACKING										
$\frac{F}{C} = 0$	GENERAL TOLERANCES (UNLESS SPECIFIED)			EC NO: 720547						MCX JACK,PCB,SMT,75 OHMS MCX-J/PCB, EWR-11739				
$\frac{F}{P} = 0$			MM	INCH	DRWN: JSU18 2022/09/08									
DIVISIONAL SYMBOLS	4 PLACES		±	±	CHK'D: YCHENG 2022/09/13						PRODUCT CUSTOMER DRAWING			
	3 PLACES		±	± 0.005	APPR: YCHENG 2022/09/13									
	2 PLACES		± 0.13	± 0.01	INITIAL REVISION:									
	1 PLACE		± 0.25	±	DRWN: DRAWN BY 0099/99/99									
0 PLACES		±	±	APPR: APPR BY 0099/99/99						DOCUMENT NUMBER		DOC TYPE	DOC PART	REVISION
ANGULAR TOL		± 2.0 °	THIRD ANGLE PROJECTION						SD-73415-163		PSD	001	A10	
DRAFT WHERE APPLICABLE MUST REMAIN WITHIN DIMENSIONS				DRAWING		SERIES		MATERIAL NUMBER		CUSTOMER		SHEET NUMBER		
				C-SIZE		73415						7 OF 8		



PART NO : 73415-1635

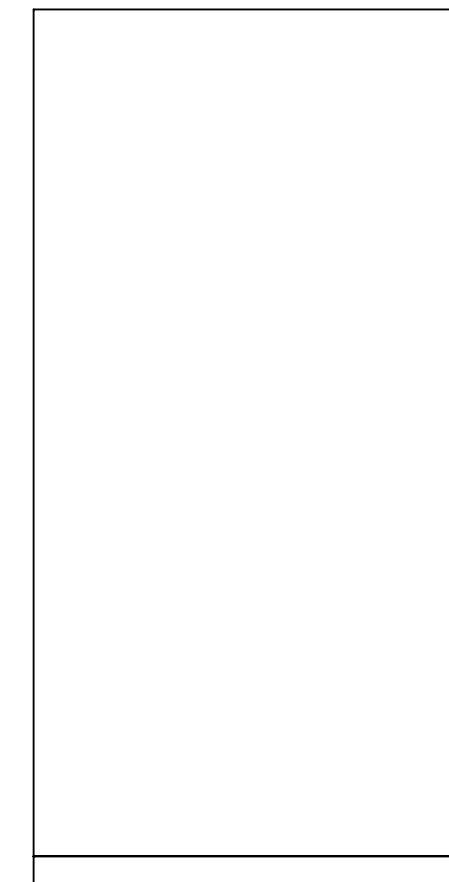


500 SETS PER CARTON BOX  
P/N: 89499-9027  
DIMENSION: 267X215X260MM

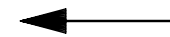


LABEL WITH EACH BAG  
PART NUMBER  
ORDER NUMBER  
MOLEX  
DATE: YYWW

ONE SET PER ZIPPER BAG  
P/N: 89707-0317



50 SETS PER BAG  
P/N: 89707-0174



FUNCTIONAL SYMBOLS	THIS DRAWING CONTAINS INFORMATION THAT IS PROPRIETARY TO MOLEX ELECTRONIC TECHNOLOGIES, LLC AND SHOULD NOT BE USED WITHOUT WRITTEN PERMISSION								
	DIMENSION UNITS	SCALE		CURRENT REV DESC:			<b>molex</b>		
$\frac{F}{A} = 0$	MM/INCH	NTS		EWR # 15426-A ADDED -1639 PART NO FOR TRAY PACKING					
$\frac{F}{C} = 0$	GENERAL TOLERANCES (UNLESS SPECIFIED)			EC NO: 720547			MCX JACK,PCB,SMT,75 OHMS MCX-J/PCB, EWR-11739		
$\frac{F}{P} = 0$		MM	INCH	DRWN: JSU18 2022/09/08					
DIVISIONAL SYMBOLS	4 PLACES	±	±	CHK'D: YCHENG 2022/09/13					
	3 PLACES	±	± 0.005	APPR: YCHENG 2022/09/13					
	2 PLACES	± 0.13	± 0.01	INITIAL REVISION:					
	1 PLACE	± 0.25	±	DRWN: DRAWN BY 0099/99/99					
	0 PLACES	±	±	APPR: APPR BY 0099/99/99					
	ANGULAR TOL	± 2.0 °	THIRD ANGLE PROJECTION			DOCUMENT NUMBER	DOC TYPE	DOC PART	REVISION
	DRAFT WHERE APPLICABLE MUST REMAIN WITHIN DIMENSIONS	THIRD ANGLE PROJECTION		DRAWING	SERIES	SD-73415-163	PSD	001	A10
				C-SIZE	73415	MATERIAL NUMBER	CUSTOMER	SHEET NUMBER	
								8 OF 8	