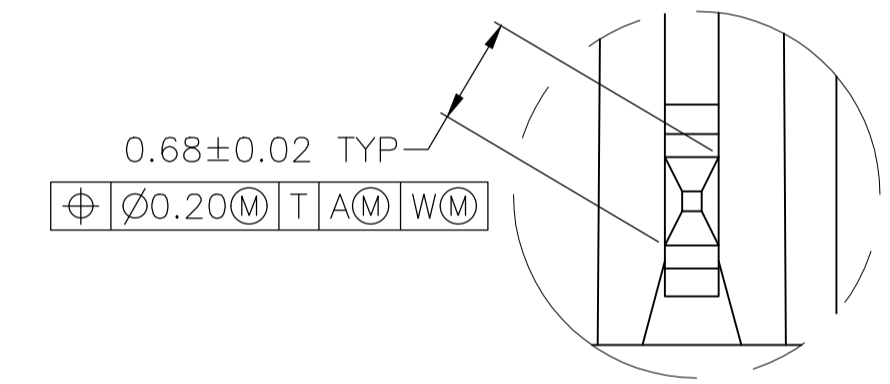
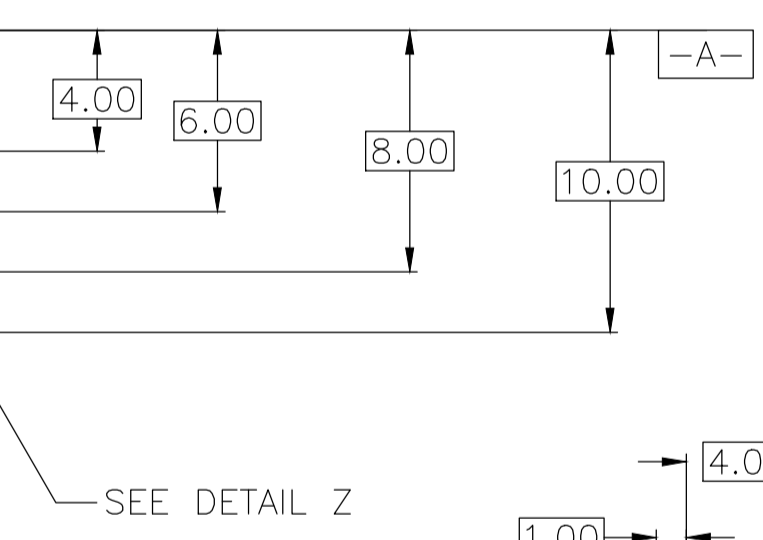
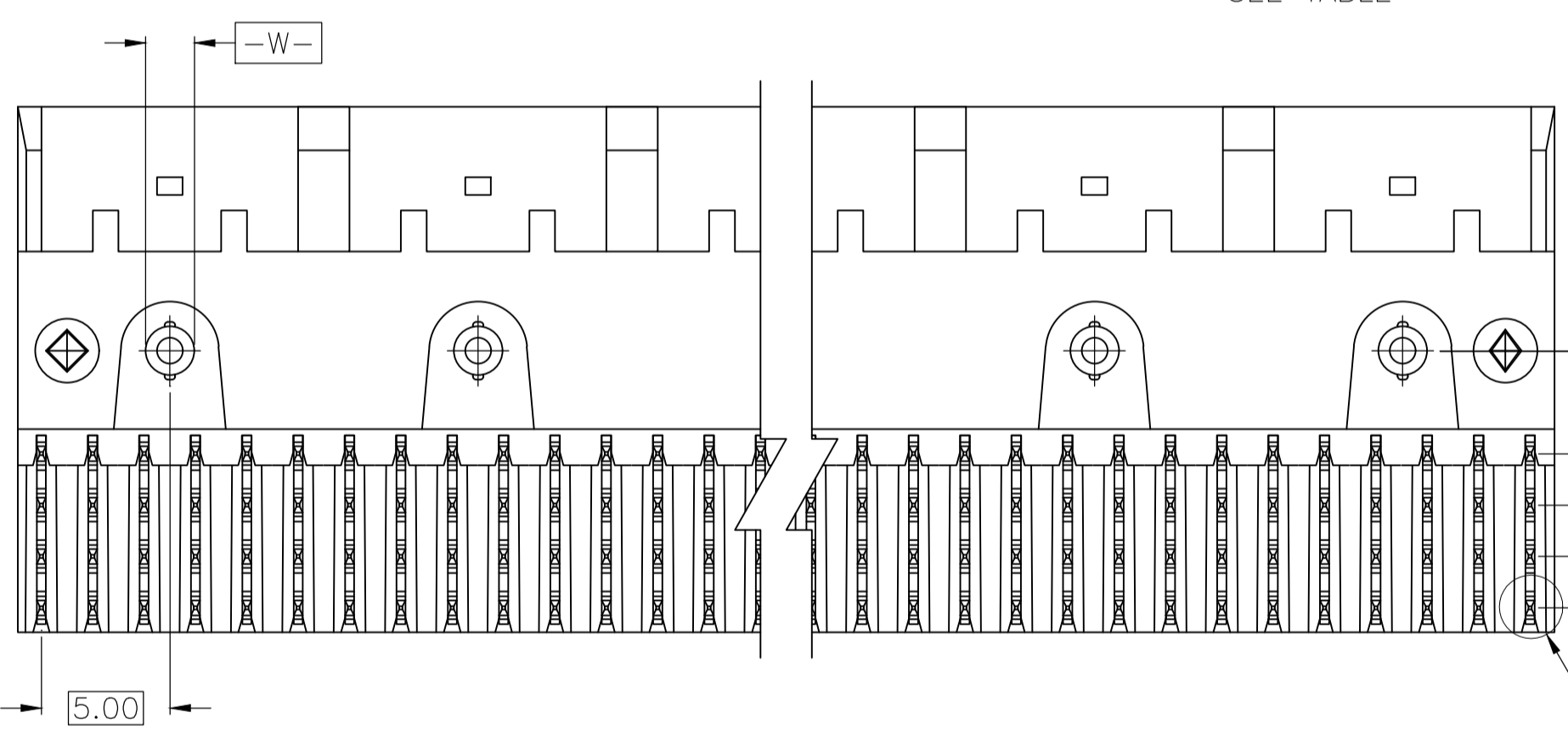
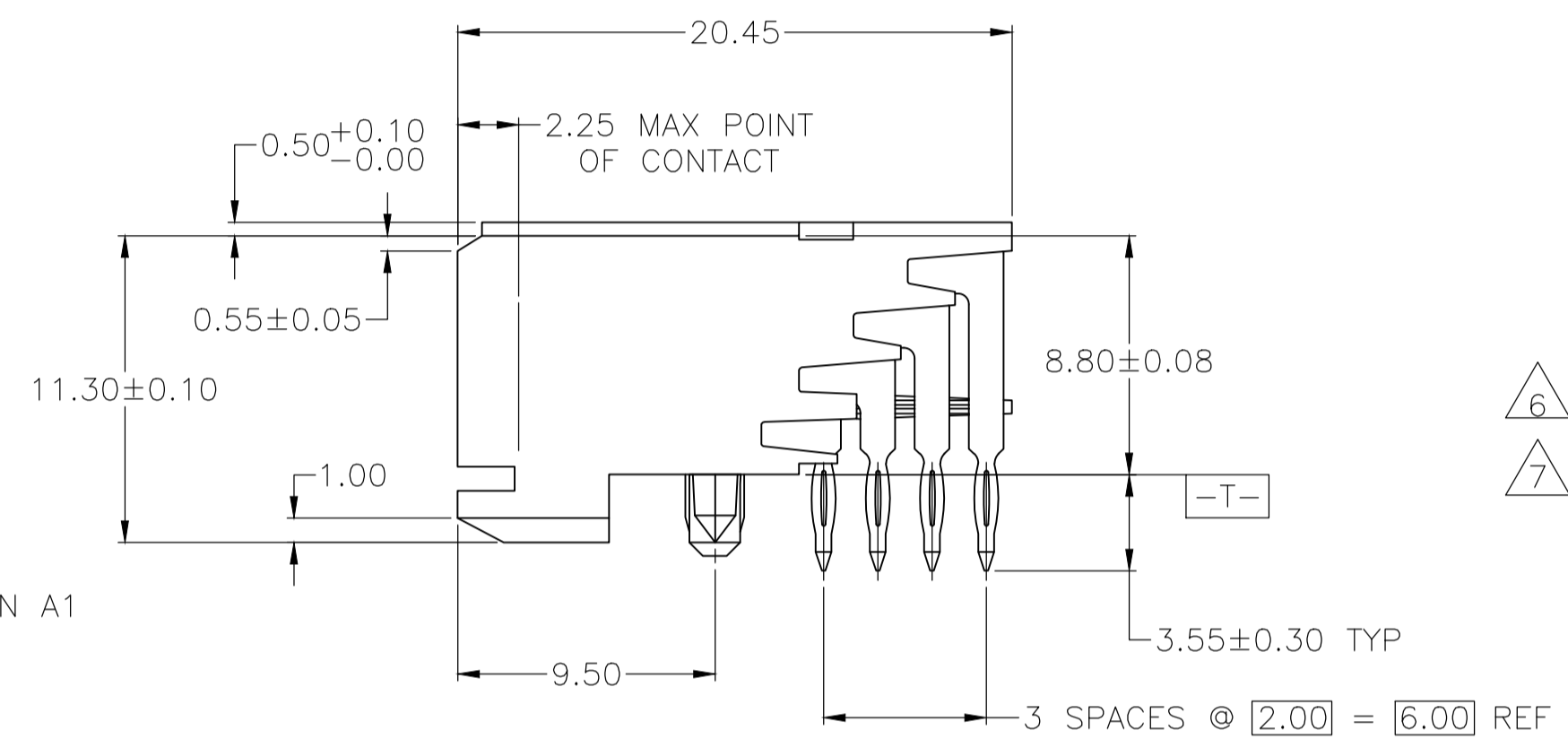
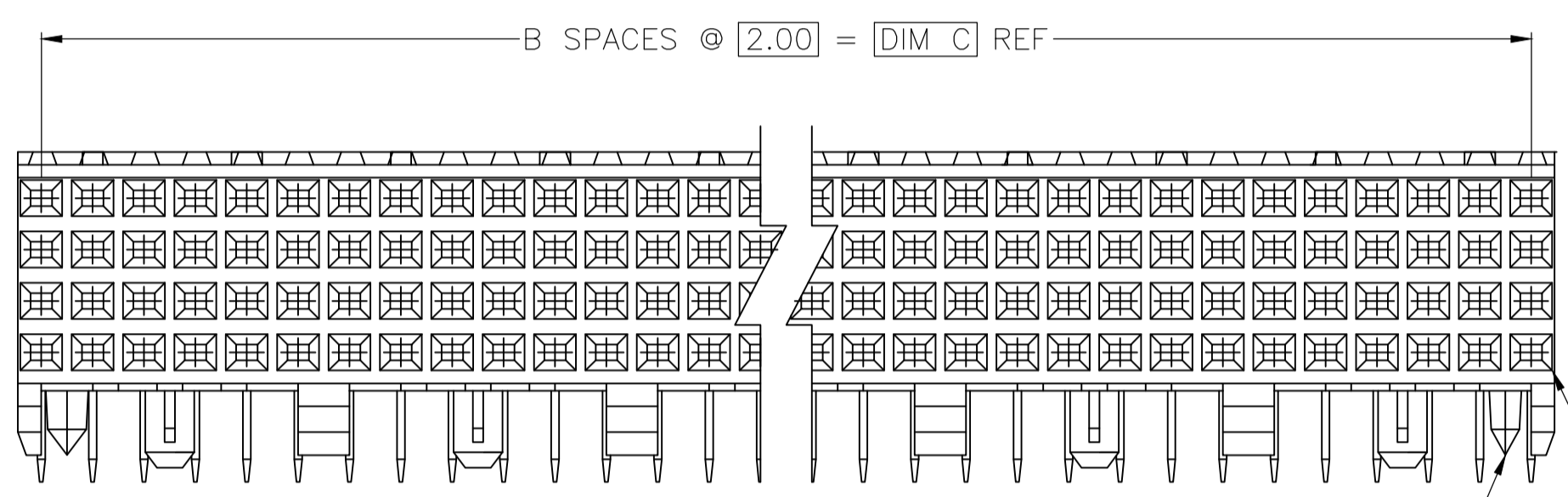
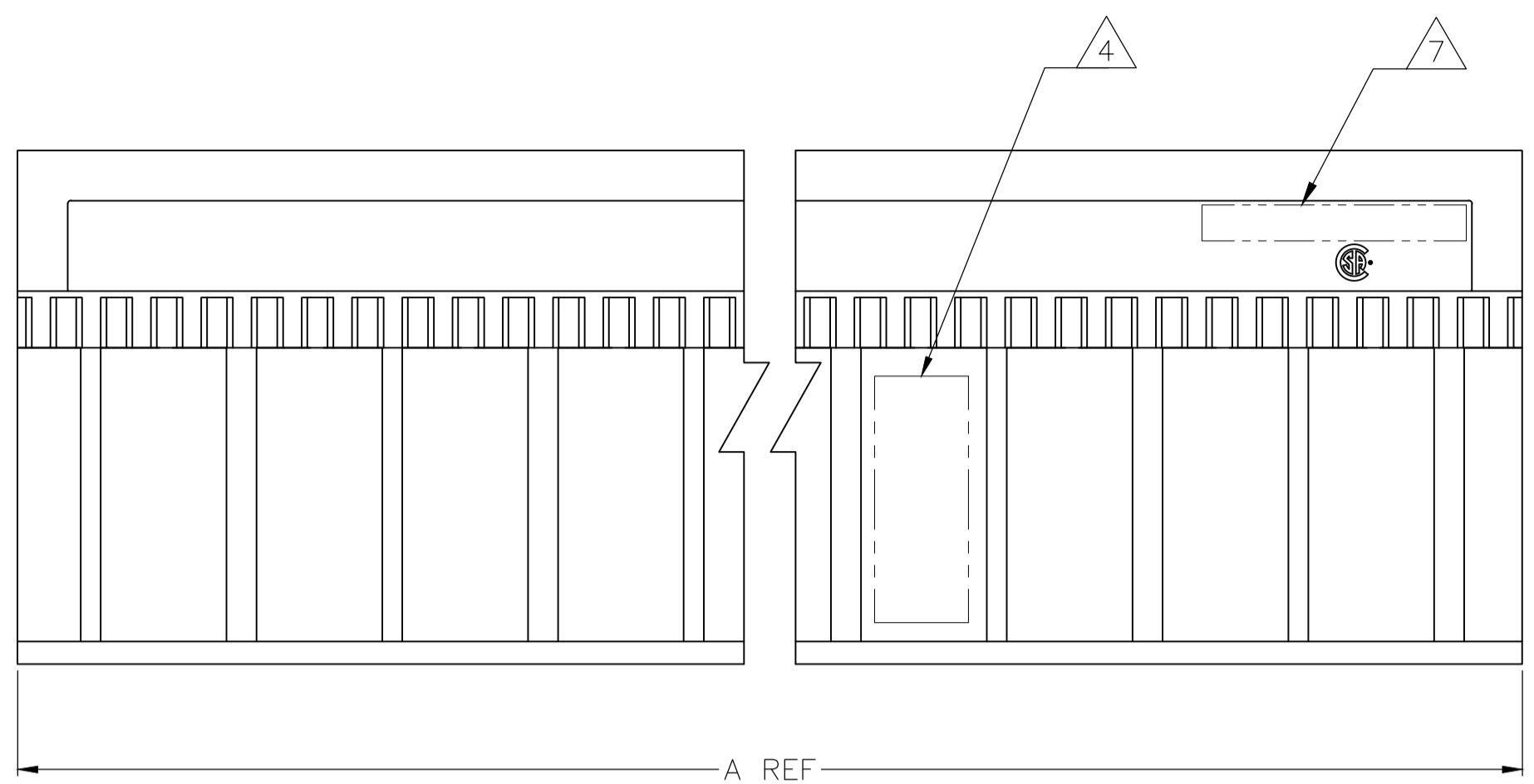
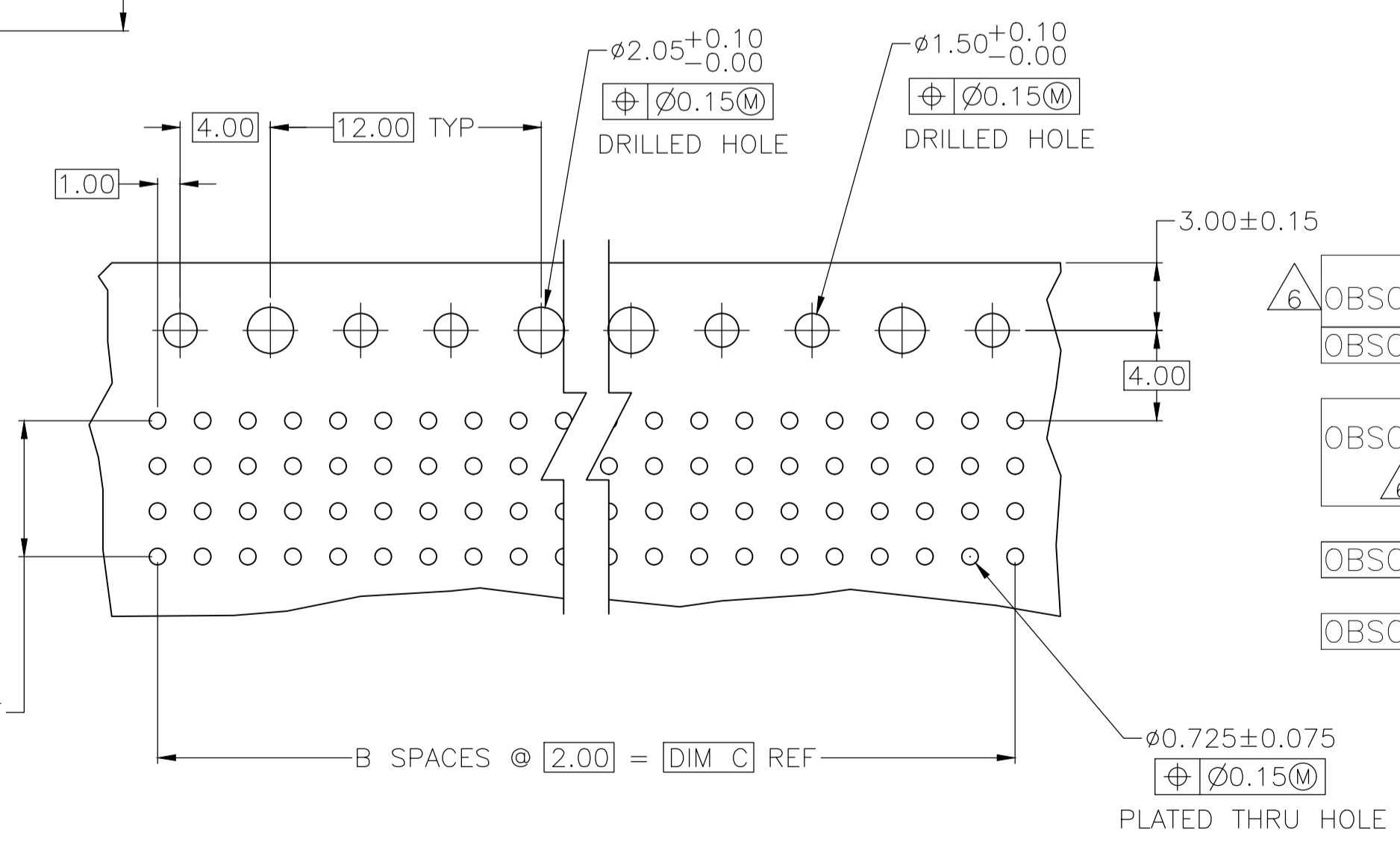
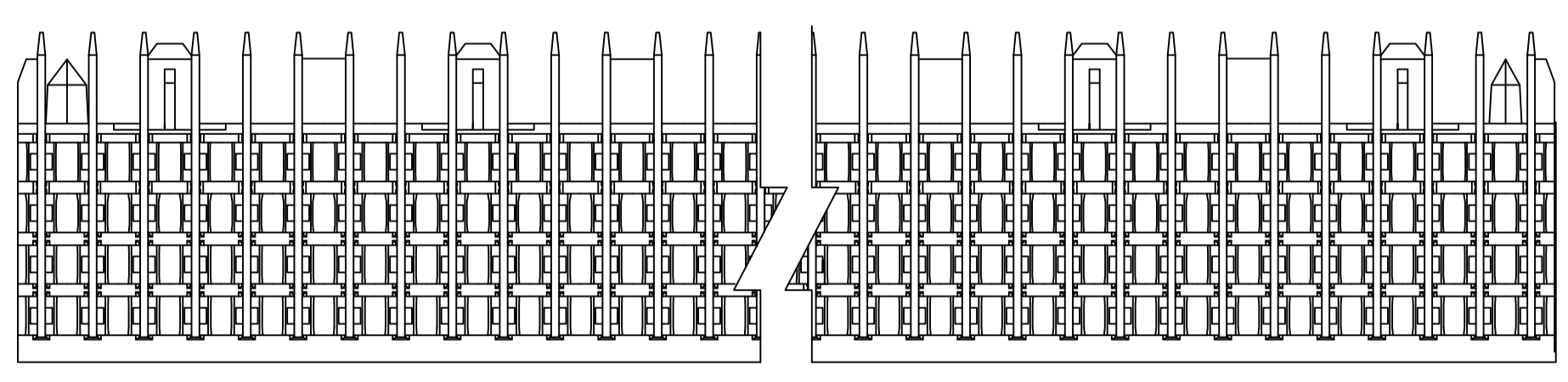


REVISIONS					
P	LTR	DESCRIPTION	DATE	DMN	APVD
F		REVISED PER ECO-20-013368	28SEP2020	RZ	HL



DETAIL Z
SCALE 20:1



- △ HOUSING MATERIAL: LIQUID CRYSTAL POLYMER PER ASTM D5138 LCP000 G30A 32250, COLOR: NATURAL.
- △ CONTACT MATERIAL: PHOSPHOR-BRONZE.
- △ CONTACT FINISH:
UNDERPLATE (ENTIRE CONTACT) - 0.00127 MIN NICKEL PER SAE-AMS-QQ-N-290.
ON MATING SURFACES- CONFORMS TO ALL TESTING SPECIFIED FOR TELCORDIA UNCONTROLLED ENVIRONMENT
ON LEADS- 0.0006 MIN TIN PER ASTM B 545, OVER UNDERPLATE
LUBRICATION (MIN MATING SURFACES) SURFACE CONDITIONER AFTER PLATING.
- △ PART MARKING, LOCATED APPROXIMATELY AS SHOWN.
- △ CONTACT FINISH:
UNDERPLATE (ENTIRE CONTACT) - 0.00127 MIN NICKEL PER SAE-AMS-QQ-N-290.
ON MATING SURFACES- 0.00076 MIN NICKEL OR COBALT HARDENED GOLD PER ASTM B-488 OVER UNDERPLATE.
ON LEADS- 0.0006 MIN TIN PER ASTM B 545, OVER UNDERPLATE
LUBRICATION (MIN MATING SURFACES) SURFACE CONDITIONER AFTER PLATING.
- △ OBSOLETE PARTS: OBSOLETE CIS STREAMLINING PER D.RENAUD/D.SINISI
- △ TE OR TE CONNECTIVITY LOGO IS LOCATED.

OBSOLETE	NO	46	23	47.88	△5	96	3-5536511-3
	NO	22	11	23.88	△5	48	3-5536511-2
OBSOLETE	YES	10	5	11.88	△5	24	3-5536511-1
	NO	34	17	35.88	△3	72	1-5536511-2
OBSOLETE	NO	130	65	131.88	△3	264	1-5536511-1
	NO	106	53	107.88	△3	216	1-5536511-0
OBSOLETE	NO	118	59	119.88	△3	240	5536511-9
	NO	82	41	83.88	△3	168	5536511-8
OBSOLETE	NO	66	33	67.88	△3	136	5536511-7
	NO	58	29	59.88	△3	120	5536511-6
OBSOLETE	NO	70	35	71.88	△3	144	5536511-5
	NO	94	47	95.88	△3	192	5536511-4
OBSOLETE	NO	46	23	47.88	△3	96	5536511-3
	NO	22	11	23.88	△3	48	5536511-2
OBSOLETE	YES	10	5	11.88	△3	24	5536511-1
	NO	10	5	11.88	△3	24	5536511-1

RECOMMENDED CIRCUIT PATTERN
PER IPC-D300 TYPE II, CLASS C
(COMPONENT SIDE)

THIS DRAWING IS A CONTROLLED DOCUMENT.

DIMENSIONS: mm	TOLERANCES UNLESS OTHERWISE SPECIFIED:	DIN R. MCMMASTER 31AUG04	31AUG04	TE Connectivity
0 PLC ± -	1 PLC ± -	DR. R. WERTZ 31AUG04		
2 PLC ± .13	3 PLC ± .13	DR. R. WERTZ 31AUG04		
4 PLC ± -	ANGLES ± -			
MATERIAL	FINISH	APVD	NAME	RCPT. ASSY, SIGNAL MODULE, Z-PACK 2mm FB 4 ROW, 3.55mm PRESS FIT LEAD LENGTH
1/2	3/5	WEIGHT	SIZE	0.000000
		CAGE CODE	DRAWING NO	A1 00779
		RESTRICTED TO	SCALE	4:1
		CUSTOMER DRAWING	SHEET	1 of 1
			REV	F