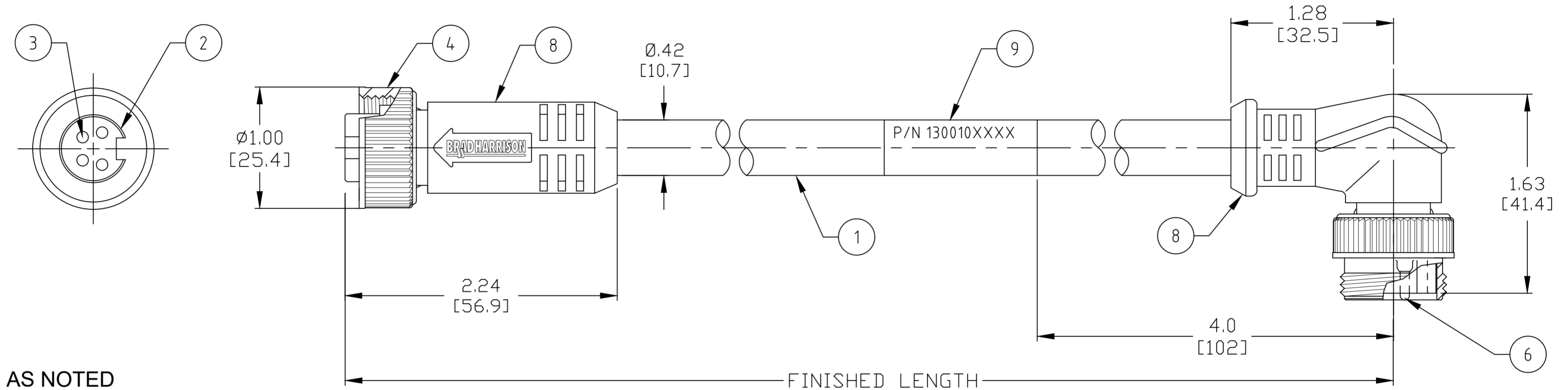
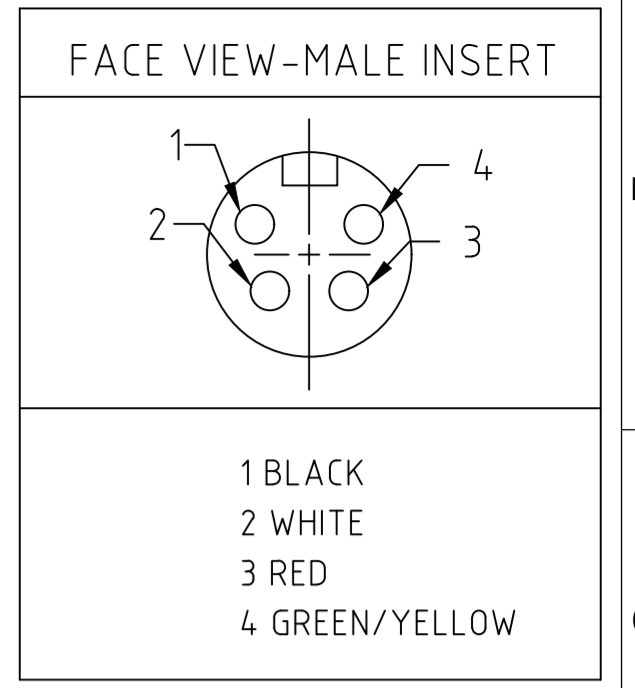


PART NO.	ENGINEERING NO.	FINISHED LENGTH
1300100933	114032A01F030	0.9M [3.0FT]
1300100936	114032A01M030	3.0M [9'10"]
1300102232	114032A01M042	4.2M [13'9"]

CABLE LENGTH TOLERANCES

<.3M [1FT]:	+19mm-0 [+1.75in-0]
.3 - .9M [1 - 3FT]:	+44.5mm-0 [+1.75in-0]
.9 - 1.8M [3 - 6FT]:	+55.6mm-0 [+2.19in-0]
1.8 - 3.7M [6 - 12FT]:	+88.9mm-0 [+3.50in-0]
3.7 - 7.3M [12 - 24FT]:	+165.1mm-0 [+6.50in-0]
7.3-14.6M [24 - 48FT]:	+317.5mm-0 [+12.50in-0]
14.6 - 30.5M [48-100FT]:	+622.3mm-0 [+24.50in-0]
OVER 30M [100FT]:	+2% OF FINISHED LENGTH

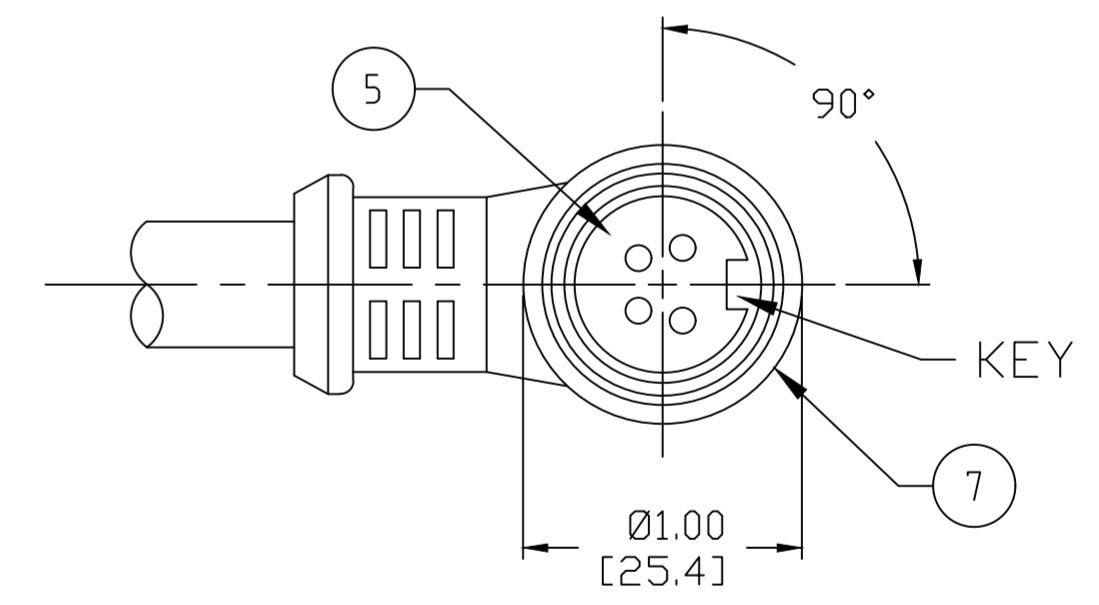


- NOTES:
- MATERIAL: AS NOTED
 - FINISH: AS NOTED
 - ELECTRICAL:
VOLTAGE: 483V PER IEC 60664
600V PER UL 2238
CURRENT: 10A
 - TEMP RATING: -20°C TO +105°C
 - PROTECTION: IP67 (WHEN MATED)
 - COUPLING THREAD: 7/8-16 UN
 - UL RECOGNIZED FILE: E152210
CSA CERTIFIED FILE: LR6837
 - ALL DIMS ARE FOR REFERENCE UNLESS TOLERANCED OR NOTED OTHERWISE

PART NUMBER LEGEND

114032A01M042

FINISHED LENGTH:
F020= 2 FEET
M005= 0.5 METER
M010= 1.0 METER
M100= 10.0 METERS



ITEM	DESCRIPTION	MATERIAL	FINISH
9	WRAP LABEL	VINYL	BLACK/YELLOW
8	OVERMOLDS	TPE	YELLOW
7	COUPLING, MALE	ZINC DIE-CAST	BLACK E-COAT
6	CONTACT PIN	Cu ALLOY	GOLD PLATED
5	INSERT, MALE	TPE	YELLOW
4	COUPLING, FEMALE	ZINC-DIE-CAST	BLACK E-COAT
3	CONTACT SOCKET	Cu ALLOY	GOLD PLATED
2	INSERT, FEMALE	TPE	YELLOW
1	CABLE, 16 AWG, PVC	PVC JACKET	YELLOW
	ITEM DESCRIPTION	MATERIAL	FINISH

FUNCTIONAL SYMBOLS: FA=0, EC=0, EP=0

DIMENSION UNITS: INCH/MM

SCALE: 1:1

GENERAL TOLERANCES (UNLESS SPECIFIED):

PLACES	mm	INCH
4 PLACES	±----	±----
3 PLACES	±----	±----
2 PLACES	±----	±----
1 PLACE	±----	±----
0 PLACES	±----	±----

ANGULAR TOL ± ---- °

DRAFT WHERE APPLICABLE MUST REMAIN WITHIN DIMENSIONS

THIRD ANGLE PROJECTION

DRAWING: C-SIZE

SERIES: 130010

THIS DRAWING CONTAINS INFORMATION THAT IS PROPRIETARY TO MOLEX ELECTRONIC TECHNOLOGIES, LLC AND SHOULD NOT BE USED WITHOUT WRITTEN PERMISSION

CURRENT REV DESC: INITIAL RELEASE

EC NO: 649542

DRWN: RSTONE 2020/11/17

CHK'D: MZIELINSKI 2020/11/18

APPR: BWOODMAN 2020/11/30

INITIAL REVISION:

DRWN: RSTONE 2020/11/17

APPR: BWOODMAN 2020/11/30

moLEX

MINI-CHANGE DOUBLE ENDED CABLE ASSEMBLY

4P MALE 90 TO FEMALE STRAIGHT, SINGLE KEY

16AWG PVC

PRODUCT CUSTOMER DRAWING

DOCUMENT NUMBER: 1300102232

DOC TYPE/DOC PART/REVISION: PSD 000 A

MATERIAL NUMBER: SEE P/N LEGEND

CUSTOMER: GENERAL MARKET

SHEET NUMBER: 1 OF 1